



# WORKKEYS<sup>Q&As</sup>

WorkKeys Assessment Test

**Pass ACT WORKKEYS Exam with 100% Guarantee**

Free Download Real Questions & Answers **PDF** and **VCE** file from:

<https://www.pass4itsure.com/workkeys.html>

100% Passing Guarantee  
100% Money Back Assurance

Following Questions and Answers are all new published by ACT Official Exam Center

-  **Instant Download** After Purchase
-  **100% Money Back** Guarantee
-  **365 Days** Free Update
-  **800,000+** Satisfied Customers



**QUESTION 1**

The school dance committee is planning to decorate the gym with extra large bows. Each bow requires 48 inches of ribbon. How many yards of ribbon will the committee need to buy if they want to make 12 bows?

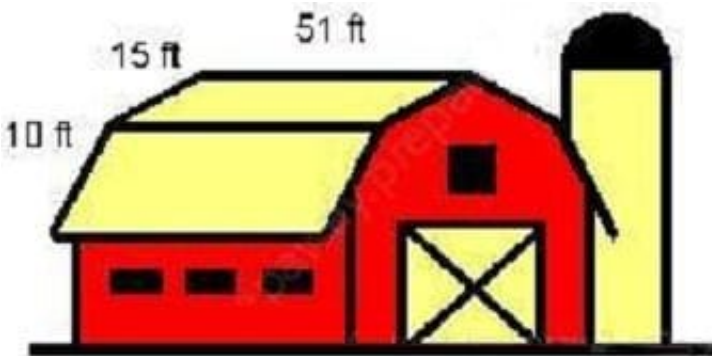
- A. 4 yards
- B. 12 yards
- C. 14 yards
- D. 16 yards
- E. 96 yards

Correct Answer: C

---

**QUESTION 2**

J and R Roofing has a contract to roof the barn shown below. One bundle of shingles covers 33 square feet. Three bundles make a square. When preparing your order, you include 10% waste in order to make sure you have enough shingles. How many squares of roof shingles will need to be ordered?



- A. 14 squares
- B. 15 squares
- C. 26 squares
- D. 29 squares
- E. 30 squares

Correct Answer: D

---

**QUESTION 3**

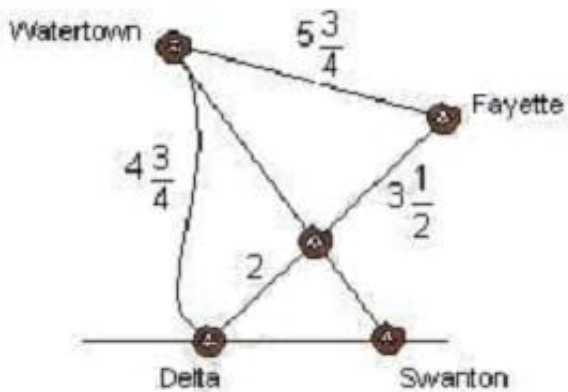
A pre-school teacher has a total of  $18\frac{1}{2}$  quarts of orange juice to use for a snack. How many children can she serve if each child receives 1 cup of juice?

- A. 296
- B. 144
- C. 74
- D. 37
- E. 18.5

Correct Answer: C

**QUESTION 4**

Eric drove from Delta to Fayette. Then he drove to Watertown. How many miles did he drive in all?



- A.  $5\frac{1}{2}$  miles
- B.  $6\frac{3}{4}$  miles
- C.  $10\frac{1}{2}$  miles
- D.  $11\frac{1}{4}$  miles
- E. 12 miles

Correct Answer: D

**QUESTION 5**

You are completing a job order on a vehicle in which a number of parts were replaced. In addition to the parts, the customer will also be charged for labor. The prices are listed below. A 7% sales tax must also be added to the parts order. What is the customer's total bill if he receives a 10% senior citizen discount on the price of the parts (before tax)?

Item	Description	Price
JKL231	Water pump	\$98.76
LM786	Oil Filter	\$8.50
BK3486	Brake pads	\$149.00
	Labor	\$120.00

- A. \$226.26
- B. \$246.78
- C. \$256.26
- D. \$366.78
- E. \$375.18

Correct Answer: D

**QUESTION 6**

Kaylen worked the following hours during one week. She is paid \$9.50 per hour for the first 40 hours of work. After 40 hours she is paid 1 times her regularly hourly rate. How much money did Kaylen earn this week?

Day	Hours worked
Monday	7
Tuesday	8
Wednesday	6.5
Thursday	12
Friday	8.75

- A. \$401.38
- B. \$412.06



C. \$420.38

D. \$522.50

E. \$562.32

Correct Answer: B

---

### QUESTION 7

A doctor prescribes a medicine that must be taken 3 times a day for 4 days and then twice a day for 6 days. How many tablets will the pharmacist need to fill the prescription?

A. 10

B. 12

C. 24

D. 36

E. 144

Correct Answer: C

---

### QUESTION 8

Your interior design company has been asked to determine how many square yards of carpet are needed to cover a floor 24 feet by 30 feet. How many square yards of carpet are needed?

A. 40 square yards

B. 80 square yards

C. 240 square yards

D. 720 square yards

E. 1440 square yards

Correct Answer: B

---

### QUESTION 9

Renee buys three plants at Spring Hill florists for a total of \$170. Two of the plants are on sale for \$25 apiece. How



much does the third plant cost?

- A. \$56.67
- B. \$80.00
- C. \$100.00
- D. \$120.00
- E. \$145.00

Correct Answer: D

---

#### QUESTION 10

The table below shows the monthly production of wagons for the month of June at four different factories. What was Wauseon's production in the month of June?

June Wagon Production	
Factory	June Output
Delta	550
Evergreen	525
Wauseon	
Zansford	445
Total	1880

- A. 260 wagons
- B. 325 wagons
- C. 360 wagons
- D. 470 wagons
- E. 485 wagons

Correct Answer: C

---

#### QUESTION 11

A grocer weighs a shipment of apples, pears and bananas. The total weight is 159 pounds. The apples weigh 62.4



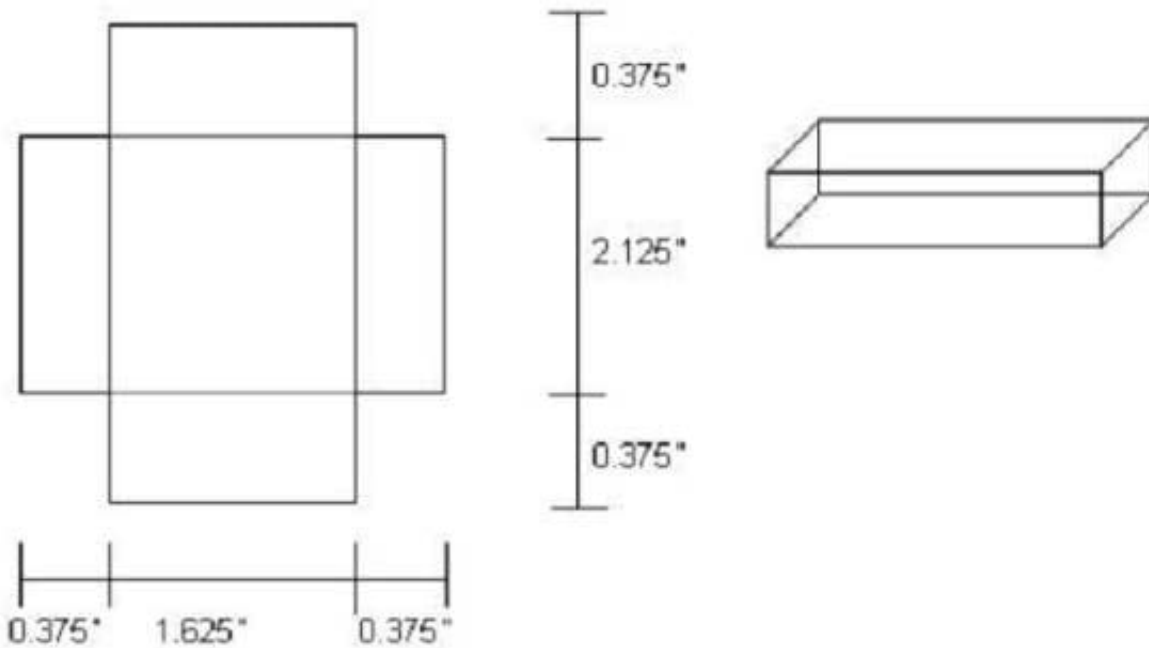
pounds. The weight of the pears is equal to the weight of the bananas. How many pounds of bananas are in the shipment?

- A. 102.3 lbs.
- B. 96.6 lbs.
- C. 73.8 lbs.
- D. 48.3 lbs.
- E. 24.6 lbs.

Correct Answer: D

### QUESTION 12

Shown below is the print that is to be folded into a box: Tolerances on all measurements are +0.002 inches. What is the percent change from the ideal volume if the minimum tolerance for each dimension is reached?



- A. 0.77%
- B. 1%
- C. 1.7%
- D. 7%
- E. 14%



Correct Answer: A

---

### QUESTION 13

Envelopes cost \$40.95 per 1000 if you buy at least 1000 envelopes—or \$77.90 per 2000 if you buy at least 2000 envelopes. Which is the better buy and by how much?

- A. 1000 envelopes by \$0.002
- B. 1000 envelopes by \$0.038
- C. 2000 envelopes by \$0.045
- D. 2000 envelopes by \$0.002
- E. They are equal in cost.

Correct Answer: A

---

### QUESTION 14

Matt, Jason, Serena, and Rachel were having a discussion as to the highest score on an employment test. The scores were as follows:

Matt had 30 out of 40 Jason has 77% Serena has 33 out of 40 Rachel had

Which list has the names in ascending order based on their test score?

- A. Serena, Rachel, Matt, Jason
- B. Jason, Serena, Rachel, Matt
- C. Serena, Jason, Matt, Rachel
- D. Rachel, Matt, Jason, Serena
- E. Rachel, Jason, Matt, Serena

Correct Answer: D

---

### QUESTION 15

John waits in line for 1.5 hours to ride the Screaming Demon roller coaster. How many calories does he use?





Activity	Calories Used Per Hour
Writing letters	156
Cleaning house	222
Water skiing	480
Waiting in line	156

A. 111 calories

B. 156 calories

C. 234 calories

D. 312 calories

E. 2340 calories

Correct Answer: C

[Latest WORKKEYS Dumps](#)

[WORKKEYS Practice Test](#)

[WORKKEYS Exam Questions](#)