



OMG-OCUP-200^{Q&As}

OMG-Certified UML Professional Intermediate

Pass OMG OMG-OCUP-200 Exam with 100% Guarantee

Free Download Real Questions & Answers **PDF** and **VCE** file from:

<https://www.pass4itsure.com/omg-ocup-200.html>

100% Passing Guarantee
100% Money Back Assurance

Following Questions and Answers are all new published by OMG
Official Exam Center

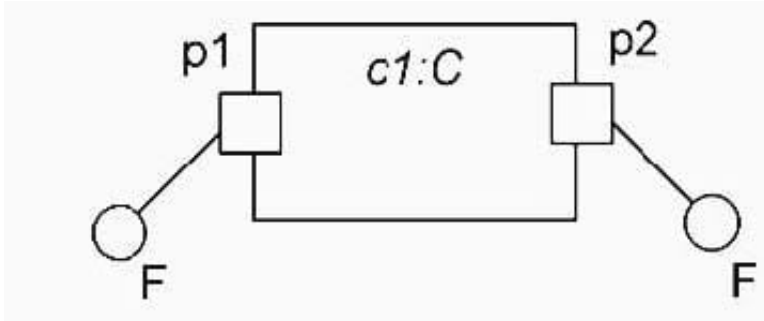
-  **Instant Download** After Purchase
-  **100% Money Back** Guarantee
-  **365 Days** Free Update
-  **800,000+** Satisfied Customers





QUESTION 1

What does the composite structure exhibit show?



- A. The diagram is not valid.
- B. The two F interfaces must come from different packages.
- C. Requests for behavioral features of interface F through ports p1 and p2 can be distinguished.
- D. Requests for behavioral features of interface F through ports p1 and p2 will always result in the same behavior.

Correct Answer: C

QUESTION 2

What kinds of arrows connect to central buffers?

- A. object flows
- B. control flows C. dependencies
- D. state transitions
- E. message passing
- F. unidirectional associations

Correct Answer: A

QUESTION 3

What can return a result on an output pin?

- A. SendObjectAction
- B. CallBehaviorAction
- C. DestroyObjectAction



D. AddVariableValueAction

E. BroadcastSignalOperation

Correct Answer: B

QUESTION 4

What symbol depicts a SendSignalAction?

A.



B.



C.



D.



E.



A. Option A

B. Option B

C. Option C

D. Option D

E. Option E

Correct Answer: AC

QUESTION 5

What is NOT true about a roles and role bindings?



- A. A role binding is an association.
- B. The same object may play roles in multiple collaborations.
- C. A role binding maps a connectable element to a role in a collaboration occurrence.
- D. The same connectable element may be bound to multiple roles in a single collaboration occurrence.
- E. A role typed by an interface specifies a set of features required by a participant in a collaboration.

Correct Answer: A

QUESTION 6

What does a run-to-completion processing for state machines mean?

- A. The executions of orthogonal regions are serialized.
- B. Interrupts are disabled while the state machine is running.
- C. No other event will be processed until the current event is fully processed.
- D. The thread executing the state machine cannot be pre-empted by the scheduler.

Correct Answer: C

QUESTION 7

What situation results from an ApplyFunctionAction?

- A. produces output values
- B. performs any set of UML actions
- C. reads objects and produces output values
- D. writes objects and produces output values
- E. reads objects, write objects, and produces output values

Correct Answer: A

QUESTION 8

What does an activity partition contain? (Choose two)

- A. nodes
- B. edges
- C. states



- D. classes
- E. lifelines
- F. messages

Correct Answer: AB

QUESTION 9

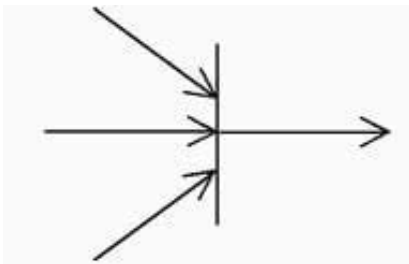
What is NOT a valid VariableAction?

- A. SetVariableAction
- B. ClearVariableAction
- C. ReadVariableAction
- D. AddVariableValueAction
- E. RemoveVariableValueAction

Correct Answer: A

QUESTION 10

In the exhibit, if the incoming arrows provide three control values, how many control values are provided to the outgoing arrow?



- A. none
- B. one
- C. two
- D. three

Correct Answer: B

QUESTION 11



What is NOT true of a profile?

- A. A profile can be removed at any time from a model.
- B. A profile can be combined with others applied on the same model.
- C. Applying a profile means that it is required to apply the stereotypes that are part of the profile.
- D. Applying a profile means that it is allowed, but not required to apply the stereotypes that are part of the profile.

Correct Answer: C

QUESTION 12

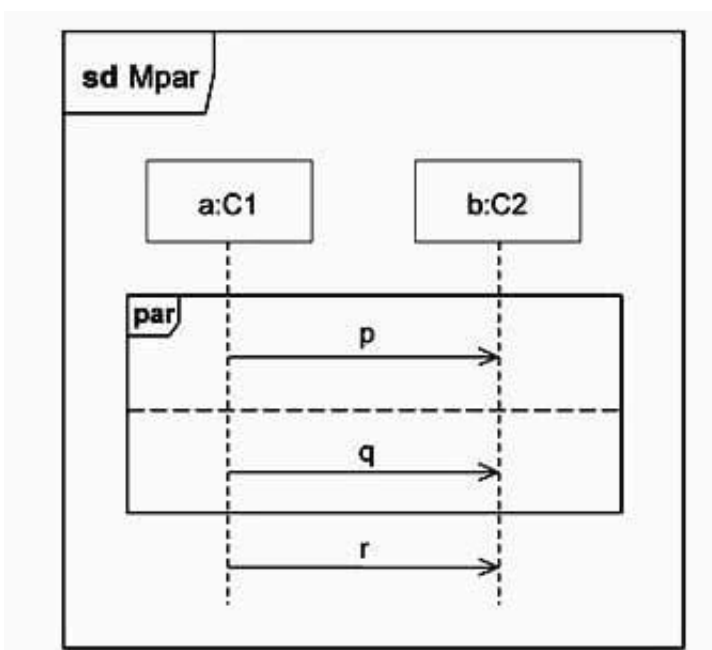
What does a state list represent?

- A. notational shorthand for a set of states
- B. list of the substates of a composite state
- C. set of states that share a single outgoing transition
- D. set of states that share the same entry and exit actions

Correct Answer: A

QUESTION 13

In the exhibit, what is true about Mpar?



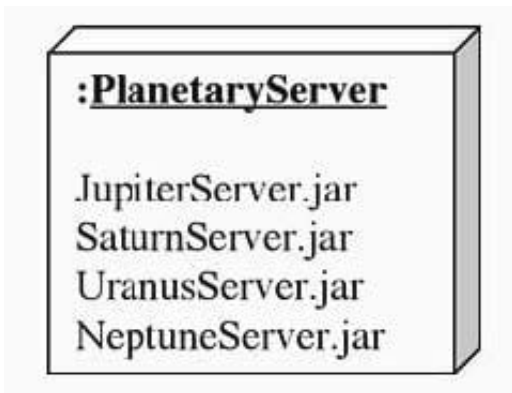


- A. Every trace contains all three messages.
- B. Sending p must always precede sending q.
- C. Receiving p must always precede receiving q.
- D. There are legal traces that do not contain message q.

Correct Answer: A

QUESTION 14

In the exhibit, what is true about the deployment location?

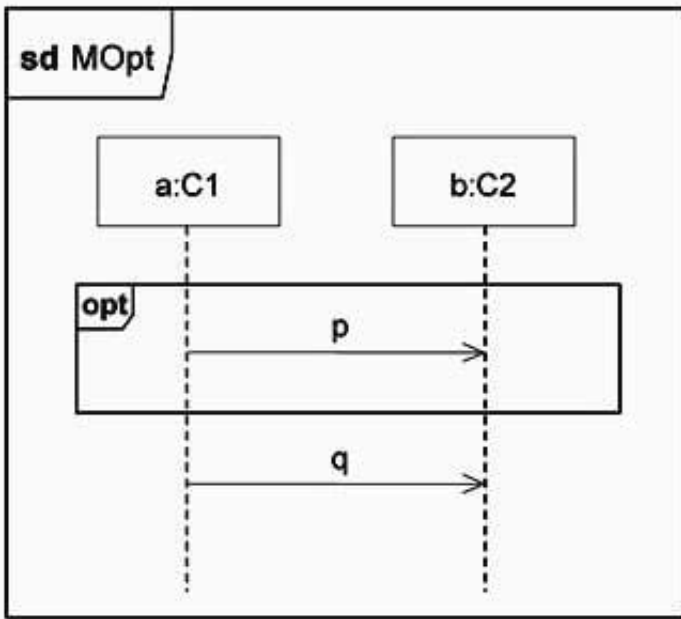


- A. is over-crowded
- B. is at the "type" level
- C. is at the "instance" level
- D. is parameterized by four DeploymentSpecifications

Correct Answer: C

QUESTION 15

In the exhibit, what is true about the diagram MOpt?



- A. All traces of MOpt include message p.
- B. All traces of MOpt include message q.
- C. Receiving p will come before sending q.
- D. No traces of MOpt include both messages p and q.

Correct Answer: B

[OMG-OCUP-200 VCE Dumps](#)

[OMG-OCUP-200 Exam Questions](#)

[OMG-OCUP-200 Braindumps](#)