



# NSE7\_OTS-6.4<sup>Q&As</sup>

Fortinet NSE 7 - OT Security 6.4

## Pass Fortinet NSE7\_OTS-6.4 Exam with 100% Guarantee

Free Download Real Questions & Answers **PDF** and **VCE** file from:

[https://www.pass4itsure.com/nse7\\_ots-6-4.html](https://www.pass4itsure.com/nse7_ots-6-4.html)

100% Passing Guarantee  
100% Money Back Assurance

Following Questions and Answers are all new published by Fortinet Official Exam Center

-  **Instant Download** After Purchase
-  **100% Money Back** Guarantee
-  **365 Days** Free Update
-  **800,000+** Satisfied Customers





### QUESTION 1

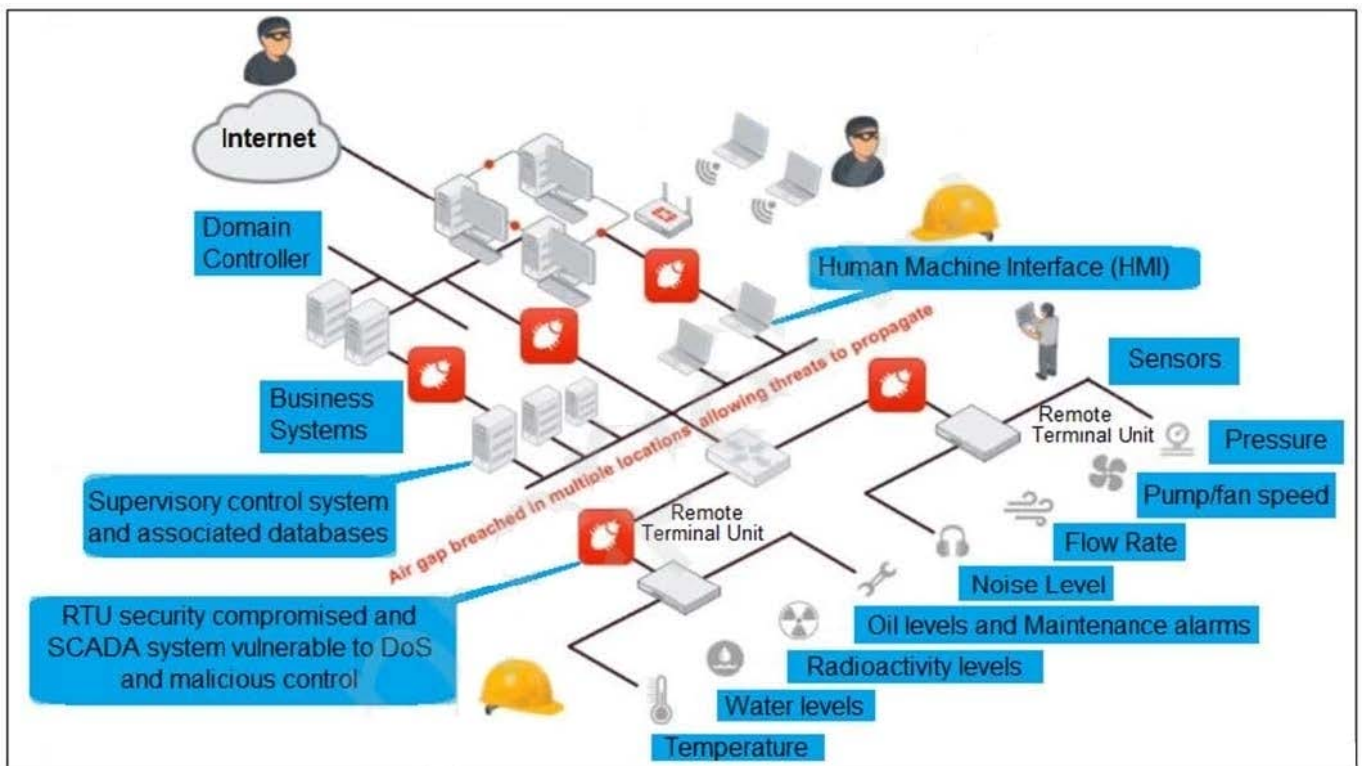
Which three common breach points can be found in a typical OT environment? (Choose three.)

- A. Global hat
- B. Hard hat
- C. VLAN exploits
- D. Black hat
- E. RTU exploits

Correct Answer: CDE

### QUESTION 2

Refer to the exhibit, which shows a non-protected OT environment.



An administrator needs to implement proper protection on the OT network.

Which three steps should an administrator take to protect the OT network? (Choose three.)

- A. Deploy an edge FortiGate between the internet and an OT network as a one-arm sniffer.
- B. Deploy a FortiGate device within each ICS network.



- C. Configure firewall policies with web filter to protect the different ICS networks.
- D. Configure firewall policies with industrial protocol sensors
- E. Use segmentation

Correct Answer: ACD

### QUESTION 3

An OT administrator has configured FSSO and local firewall authentication. A user who is part of a user group is not prompted from credentials during authentication.

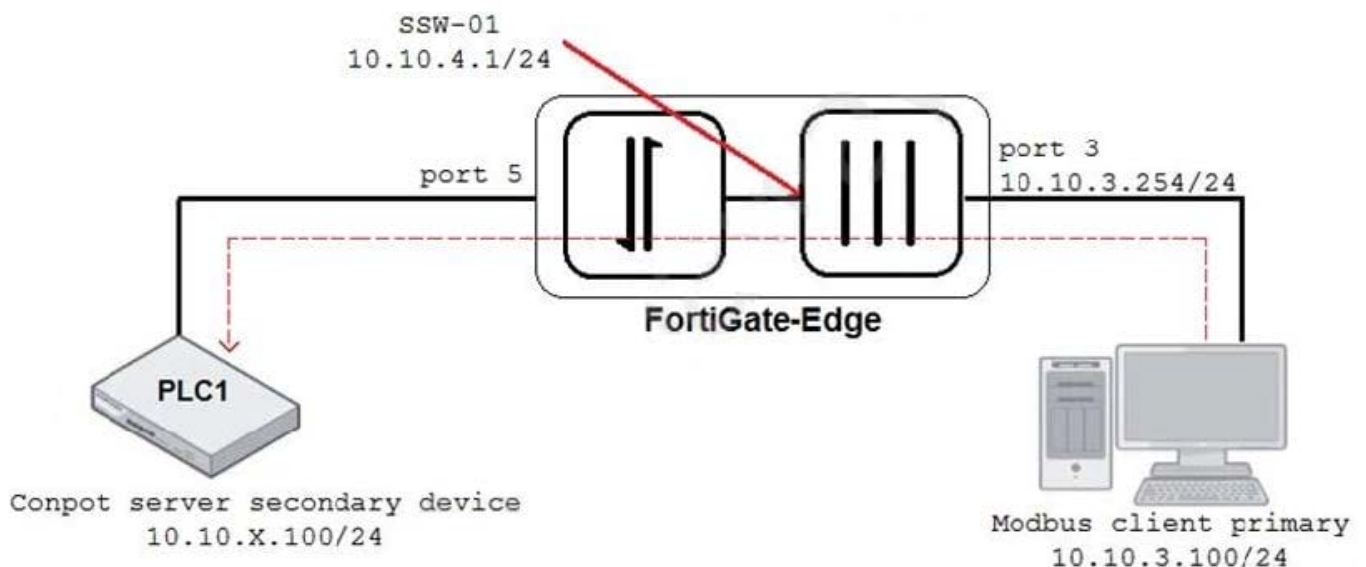
What is a possible reason?

- A. FortiGate determined the user by passive authentication
- B. The user was determined by Security Fabric
- C. Two-factor authentication is not configured with RADIUS authentication method
- D. FortiNAC determined the user by DHCP fingerprint method

Correct Answer: D

### QUESTION 4

Refer to the exhibit.



An OT architect has implemented a Modbus TCP with a simulation server Conpot to identify and control the Modbus traffic in the OT network. The FortiGate-Edge device is configured with a software switch interface ssw-01.

Based on the topology shown in the exhibit, which two statements about the successful simulation of traffic between client and server are true? (Choose two.)



- A. The FortiGate-Edge device must be in NAT mode.
- B. NAT is disabled in the FortiGate firewall policy from port3 to ssw-01.
- C. The FortiGate devices is in offline IDS mode.
- D. Port5 is not a member of the software switch.

Correct Answer: AC

#### QUESTION 5

In a wireless network integration, how does FortiNAC obtain connecting MAC address information?

- A. RADIUS
- B. Link traps
- C. End station traffic monitoring
- D. MAC notification traps

Correct Answer: A

#### QUESTION 6

Refer to the exhibit and analyze the output.

```
[PH_DEV_MON_NET_INTF_UTIL] : [eventSeverity] =PHL_INFO, [filename] =phPerfJob.cpp,
[lineNumber] =6646, [intfName]= Intel [R] PRO_100 MT Network
Connection, [intfAlias] =, [hostname] =WIN2K8DC, [hostIpAddr] = 192.168.69.6,
[pollIntv] =56, [recvBytes64] =
44273, [recvBitsPerSec] = 6324.714286, [inIntfUtil] = 0.000632, [sentBytes64] =
82014, [sentBitsPerSec] = 1171
6.285714, [outIntfUtil] = 0.001172, [recvPkts64] = 449, [sentPkts64] = 255,
[inIntfPktErr] = 0, [inIntfPktErrPct] = 0.000000, [outIntfPktErr] =0,
[outIntfPktErrPct] = 0.000000, [inIntfPktDiscarded] =0, [inIntfPktDiscardedPct] =
```

Which statement about the output is true?

- A. This is a sample of a FortiAnalyzer system interface event log.
- B. This is a sample of an SNMP temperature control event log.
- C. This is a sample of a PAM event type.
- D. This is a sample of FortiGate interface statistics.

Correct Answer: A

**QUESTION 7**

What are two benefits of a Nozomi integration with FortiNAC? (Choose two.)

- A. Enhanced point of connection details
- B. Direct VLAN assignment
- C. Adapter consolidation for multi-adapter hosts
- D. Importation and classification of hosts

Correct Answer: AB

---

**QUESTION 8**

As an OT administrator, it is important to understand how industrial protocols work in an OT network. Which communication method is used by the Modbus protocol?

- A. It uses OSI Layer 2 and the primary device sends data based on request from secondary device.
- B. It uses OSI Layer 2 and both the primary/secondary devices always send data during the communication.
- C. It uses OSI Layer 2 and both the primary/secondary devices send data based on a matching token ring.
- D. It uses OSI Layer 2 and the secondary device sends data based on request from primary device.

Correct Answer: D

---

**QUESTION 9**

An OT administrator is defining an incident notification policy using FortiSIEM and would like to configure the system with a notification policy. If an incident occurs, the administrator would like to be able to intervene and block an IP address or disable a user in Active Directory from FortiSIEM.

Which step must the administrator take to achieve this task?

- A. Configure a fabric connector with a notification policy on FortiSIEM to connect with FortiGate.
- B. Create a notification policy and define a script/remediation on FortiSIEM.
- C. Define a script/remediation on FortiManager and enable a notification rule on FortiSIEM.
- D. Deploy a mitigation script on Active Directory and create a notification policy on FortiSIEM.

Correct Answer: C

---

**QUESTION 10**

Which three Fortinet products can be used for device identification in an OT industrial control system (ICS)? (Choose three.)



- A. FortiNAC
- B. FortiManager
- C. FortiAnalyzer
- D. FortiSIEM
- E. FortiGate

Correct Answer: ACD

[NSE7\\_OTS-6.4 VCE Dumps](#)

[NSE7\\_OTS-6.4 Practice Test](#)

[NSE7\\_OTS-6.4 Study Guide](#)