



NSE5^{Q&As}

Fortinet Network Security Expert 5 Written Exam (500)

Pass Fortinet NSE5 Exam with 100% Guarantee

Free Download Real Questions & Answers **PDF** and **VCE** file from:

<https://www.pass4itsure.com/nse5.html>

100% Passing Guarantee
100% Money Back Assurance

Following Questions and Answers are all new published by Fortinet
Official Exam Center

-  **Instant Download** After Purchase
-  **100% Money Back** Guarantee
-  **365 Days** Free Update
-  **800,000+** Satisfied Customers





QUESTION 1

View the Exhibit.

Install

- **What to Install**
- Device Selection
- Validation
- Install

What to Install

This wizard will assist in installing settings to one or more security devices.

Install Policy Package & Device Settings
Install a selected policy package. Any device specific settings for devices associated with the package will also be installed.

Please enter the following information:

Policy Package	<input type="text" value="HeadOffice"/>
Comment	<input type="text" value="Write a comment"/> 0/127
Create Revision	<input checked="" type="checkbox"/>
Revision Name	<input type="text" value="Revision 10"/>
Revision Comments	<input type="text" value="Adding 3 policies"/> 17/127

Refer to the exhibit. Which two statements are correct? (Choose two.)

- A. An ADOM revision is created specific to the policy package and object changes.
- B. An ADOM revision is created as a snapshot of all ADOM policy packages and objects.
- C. An ADOM revision is locked.
- D. An ADOM revision is unlocked.

Correct Answer: AD

QUESTION 2

The eicar test virus is put into a zip archive, which is given the password of "Fortinet" in order to open the archive. Review the configuration in the exhibits shown below; then answer the question that follows.

Exhibit A Antivirus Profile:



Inspection Mode Proxy Flow-based

Block Connections to Botnet Servers

Protocol	Virus Scan and Removal
Web	
HTTP	<input checked="" type="checkbox"/>
Fmail	
SMTP	<input type="checkbox"/>
POP3	<input type="checkbox"/>
IMAP	<input type="checkbox"/>
M/PI	<input type="checkbox"/>
File Transfer	
FTP	<input type="checkbox"/>
SMB	<input type="checkbox"/>
IM	
ICQ, Yahoo, MSN Messenger	<input type="checkbox"/>

Exhibit B

Non-default UTM Proxy Options Profile:

Protocol Port Mapping

Enable	Protocol	Inspection Port(s)	
<input checked="" type="checkbox"/>	HTTP	<input type="radio"/> Any <input checked="" type="radio"/> Specify	8080
<input checked="" type="checkbox"/>	SMTP	<input type="radio"/> Any <input checked="" type="radio"/> Specify	25
<input checked="" type="checkbox"/>	POP3	<input type="radio"/> Any <input checked="" type="radio"/> Specify	110
<input checked="" type="checkbox"/>	IMAP	<input type="radio"/> Any <input checked="" type="radio"/> Specify	143
<input checked="" type="checkbox"/>	FTP	<input type="radio"/> Any <input checked="" type="radio"/> Specify	21
<input checked="" type="checkbox"/>	NNTP	<input type="radio"/> Any <input checked="" type="radio"/> Specify	119
<input checked="" type="checkbox"/>	MAPI	135	
<input checked="" type="checkbox"/>	DNS	53	

Exhibit C DLP Profile:

Seq #	Type	Action	Services	Archive
1	Encrypted	Block	POP3, HTTP	Disable



Which of one the following profiles could be enabled in order to prevent the file from passing through the FortiGate device over HTTP on the standard port for that protocol?

- A. Only Exhibit A
- B. Only Exhibit B
- C. Only Exhibit C with default UTM Proxy settings.
- D. All of the Exhibits (A, B and C)
- E. Only Exhibit C with non-default UTM Proxy settings (Exhibit B).

Correct Answer: C

QUESTION 3

Which of the following statements best describes the proxy behavior on a FortiGate unit during an FTP client upload when FTP splice is disabled?

- A. The proxy buffers the entire file from the client, only sending the file to the server if the file is clean. One possible consequence of buffering is that the server could time out.
- B. The proxy sends the file to the server while simultaneously buffering it.
- C. The proxy removes the infected file from the server by sending a delete command on behalf of the client.
- D. If the file being scanned is determined to be clean, the proxy terminates the connection and leaves the file on the server.

Correct Answer: A

QUESTION 4

What is 'hot swapping'?

- A. Hot swapping means administrators can configure FortiAnalyzer to write to all hard drives in the device in order to make the array fault tolerant.
- B. Hot swapping means administrators can replace a failed disk on devices that support software RAID while the device is still running.
- C. Hot swapping means administrators can ensure the parity data of a redundant drive is valid while the device is still running.
- D. Hot swapping means administrators can replace a failed disk on devices that support hardware RAID while the device is still running.

Correct Answer: D

QUESTION 5



A FortiGate administrator configures a Virtual Domain (VDOM) for a new customer. After creating the VDOM, the administrator is unable to reassign the dmz interface to the new VDOM as the option is greyed out in Web Config in the management VDOM.

What would be a possible cause for this problem?

- A. The dmz interface is referenced in the configuration of another VDOM.
- B. The administrator does not have the proper permissions to reassign the dmz interface.
- C. Non-management VDOMs can not reference physical interfaces.
- D. The dmz interface is in PPPoE or DHCP mode.
- E. Reassigning an interface to a different VDOM can only be done through the CLI.

Correct Answer: A

QUESTION 6

Which of the following is an advantage of using SNMP v3 instead of SNMP v1/v2 when querying the FortiGate unit?

- A. Packet encryption
- B. MIB-based report uploads
- C. SNMP access limits through access lists
- D. Running SNMP service on a non-standard port is possible

Correct Answer: A

QUESTION 7

UTM features can be applied to which of the following items?

- A. Firewall policies
- B. User groups
- C. Policy routes
- D. Address groups

Correct Answer: A

QUESTION 8

What output profiles can you configure for report event notifications? (Choose two.)

- A. SMS



- B. Forward to another FortiAnalyzer device
- C. Upload to a server
- D. Email

Correct Answer: CD

QUESTION 9

Which of the following email spam filtering features is NOT supported on a FortiGate unit?

- A. Multipurpose Internet Mail Extensions (MIME) Header Check
- B. HELO DNS Lookup
- C. Greylisting
- D. Banned Word

Correct Answer: C

QUESTION 10

Which of the following items does NOT support the Logging feature?

- A. File Filter
- B. Application control
- C. Session timeouts
- D. Administrator activities
- E. Web URL filtering

Correct Answer: C

QUESTION 11

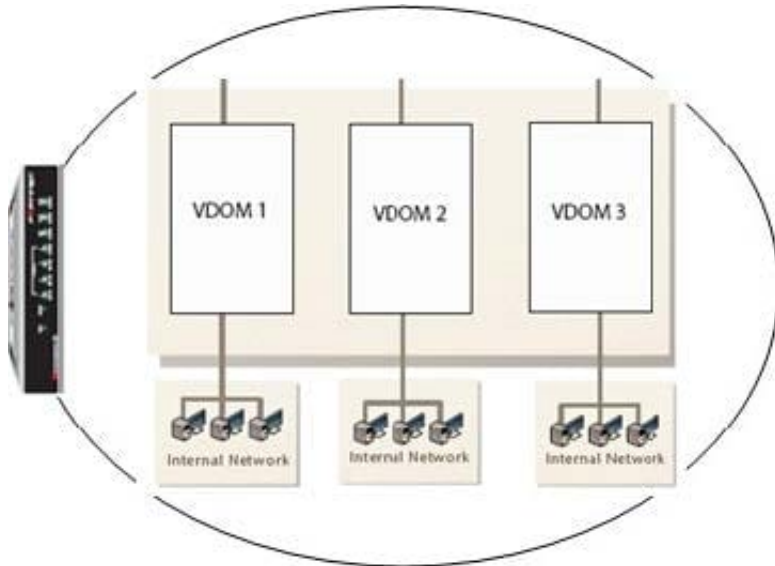
Which two statements are correct regarding the central VPN console? (Choose two.)

- A. Central VPN console only supports full mesh IPsec VPN topologies.
- B. An external gateway is an IPsec tunnel endpoint not managed by the central VPN console.
- C. Central VPN console creates all the necessary firewall policies for traffic to be tunneled by IPsec.
- D. IKE settings only need to be configured once in central VPN console for all managed gateways.

Correct Answer: BD

**QUESTION 12**

A FortiGate unit is configured with three Virtual Domains (VDOMs) as illustrated in the exhibit.



Which of the following statements are correct regarding these VDOMs? (Select all that apply.)

- A. The FortiGate unit supports any combination of these VDOMs in NAT/Route and Transparent modes.
- B. The FortiGate unit must be a model 1000 or above to support multiple VDOMs.
- C. A license had to be purchased and applied to the FortiGate unit before VDOM mode could be enabled.
- D. All VDOMs must operate in the same mode.
- E. Changing a VDOM operational mode requires a reboot of the FortiGate unit.
- F. An admin account can be assigned to one VDOM or it can have access to all three VDOMs.

Correct Answer: AF

QUESTION 13

In an IPSec gateway-to-gateway configuration, two FortiGate units create a VPN tunnel between two separate private networks.

Which of the following configuration steps must be performed on both FortiGate units to support this configuration? (Select all that apply.)

- A. Create firewall policies to control traffic between the IP source and destination address.
- B. Configure the appropriate user groups on the FortiGate units to allow users access to the IPSec VPN connection.
- C. Set the operating mode of the FortiGate unit to IPSec VPN mode.



D. Define the Phase 2 parameters that the FortiGate unit needs to create a VPN tunnel with the remote peer.

E. Define the Phase 1 parameters that the FortiGate unit needs to authenticate the remote peers.

Correct Answer: ADE

QUESTION 14

In HA, what is the effect of the Disconnect Cluster Member command as given in the Exhibit.

Disconnect Cluster Member

Serial Number FGVM010000006268

Interface port3

IP/Netmask 10.0.1.251/24

OK Cancel

A. The HA mode changes to standalone.

B. Port3 is configured with an IP address for management access.

C. The Firewall rules are purged on the disconnected unit.

D. All other interface IP settings are maintained.

Correct Answer: AB

QUESTION 15

Which of the following statements is correct regarding a FortiGate unit operating in NAT/Route mode?

A. The FortiGate unit requires only a single IP address for receiving updates and configuring from a management computer.

B. The FortiGate unit must use public IP addresses on both the internal and external networks.

C. The FortiGate unit commonly uses private IP addresses on the internal network but hides them using network address translation.

D. The FortiGate unit uses only DHCP-assigned IP addresses on the internal network.

Correct Answer: C
