



JN0-343^{Q&As}

Juniper Networks Certified Internet Specialist (JNCIS-ENT)

Pass Juniper JN0-343 Exam with 100% Guarantee

Free Download Real Questions & Answers **PDF** and **VCE** file from:

<https://www.pass4itsure.com/jn0-343.html>

100% Passing Guarantee
100% Money Back Assurance

Following Questions and Answers are all new published by Juniper
Official Exam Center

-  **Instant Download** After Purchase
-  **100% Money Back** Guarantee
-  **365 Days** Free Update
-  **800,000+** Satisfied Customers



**QUESTION 1**

Router A is configured as the VRRP master and Router B is configured as the backup. Router A has lost the mastership and has become the backup router and you need to find out why. Which two commands should you use to determine why Router A is no longer the VRRP master? (Choose two.)

- A. show vrrp
- B. show vrrp summary
- C. show vrrp detail
- D. show vrrp track

Correct Answer: CD

QUESTION 2

You must ensure that the user connected to ge-0/0/0 can send traffic from their computer as well as their IP phone using the same physical port. The traffic coming from the computer will not contain a VLAN tag, and traffic from the IP phone will be tagged using the . This traffic must remain separated throughout the Layer 2 network.

Which feature must be used?

- A. routed VLAN interface
- B. native VLAN
- C. voice VLAN
- D. default VLAN

Correct Answer: C

QUESTION 3

You have implemented per-packet load balancing.

Which command would you use to verify that the load balancing is active?

- A. show route | match load-balancing
- B. show route | display forwarding-table
- C. show route load-balancing
- D. show route forwarding-table

Correct Answer: D

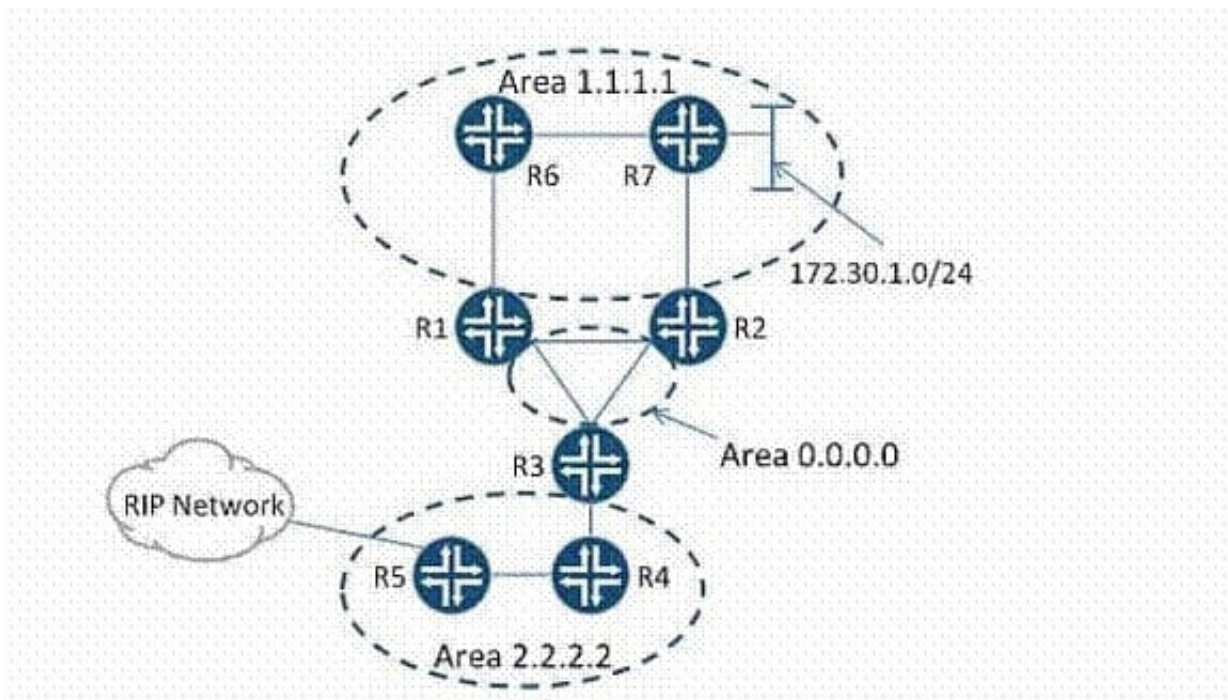
**QUESTION 4**

Which protocol is a link-state routing protocol?

- A. BGP
- B. RIP
- C. OSPF
- D. MPLS

Correct Answer: C

Reference: JNCIS-ENT Routing Study Guide, Open Shortest Path First ?Chapter 3?

QUESTION 5

In the exhibit, R5 is exporting the RIP network prefixes into OSPF. You want to limit the number of LSAs sent to Area 2.2.2.2, but you want to ensure that all routers in other areas will have routes to all networks contained in the LSAs sent by the routers in Area 2.2.2.2. Which configuration change will enable this scenario?

- A. Configure Area 2.2.2.2 as a stub area.
- B. Configure Area 2.2.2.2 as a not-so-stubby area.
- C. Configure an area range on R3.
- D. Configure an export filter for OSPF on R3.

Correct Answer: B



QUESTION 6

Which two configurations are valid methods for associating a VLAN with an interface on EX Series switches? (Choose two.)

- A. {master:0}[edit interfaces] user@ex# show ge-0/0/4 { unit 0 { family ethernet-switching { vlan { members v100; } } } }
- B. {master:0}[edit interfaces ge-0/0/4] user@ex# show unit 0 { family ethernet-switching { vlan v100; } }
- C. {master:0}[edit interfaces ge-0/0/4] user@ex# show vlan-tagging; unit 0 { family ethernet-switching { vlan v100; } }
- D. {master:0}[edit vlans] user@ex# show v100 { vlan-id 100; interface { ge-0/0/4.0; } }

Correct Answer: AD

QUESTION 7

Your network consists of three OSPF routers as shown below:

R1 -- R2 -- R3

You run the show ospf neighbor command on R2. The output shows no data in the output for OSPF neighbors.

Which three actions will troubleshoot the adjacency problem for Router R2? (Choose three.)

- A. Verify the physical and data link layer connectivity on Routers R1, R2, and R3.
- B. Look for incorrect settings for MTU on Routers R1 and R3.
- C. Look for mismatched configurations on Routers R1, R2, and R3 for IP subnet/mask, area number, and area type.
- D. Verify Router R1 and R3 to see if they are stuck in 2-way state.
- E. Look for mismatched configurations on Routers R1, R2, and R3 for authentication, hello/dead interval, and network type.

Correct Answer: ACE

QUESTION 8

Which statement describes the Spanning Tree Protocol (STP)?

- A. A switching protocol used to carry default VLANs.
- B. A port security feature used to limit MAC addresses on a port.
- C. A switching protocol that prevents loops.
- D. A high availability protocol used to gracefully restart a switch.

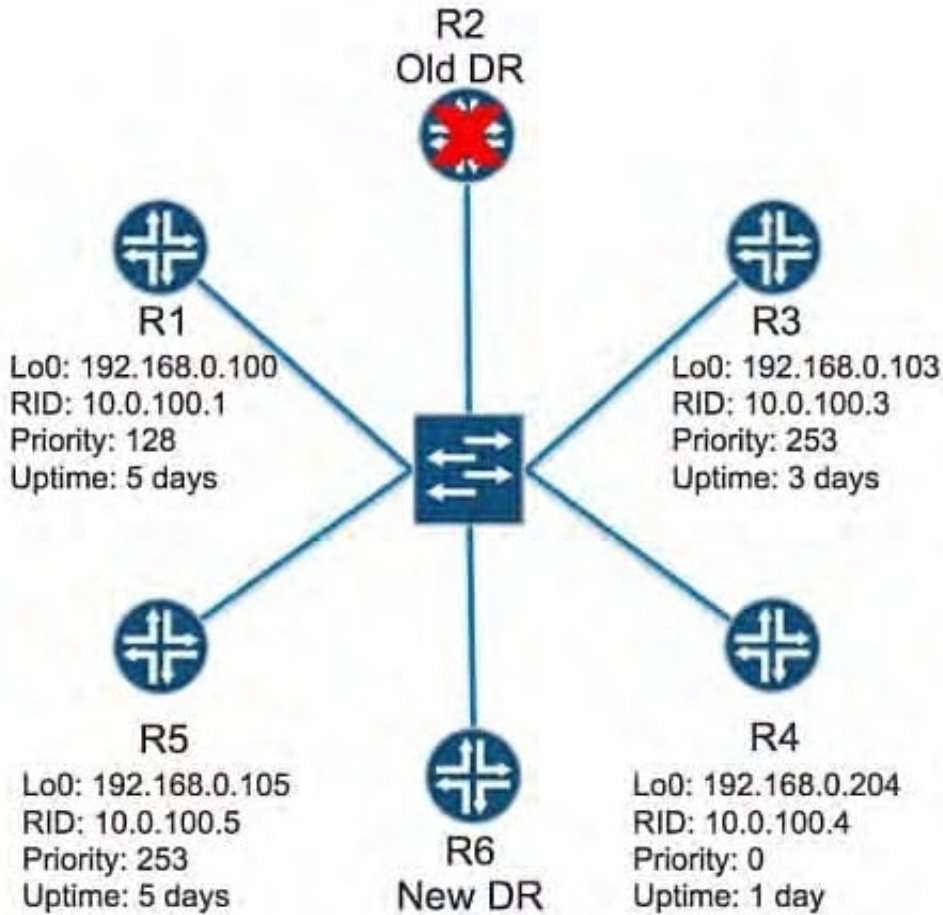
Correct Answer: C



Reference: JNCIS-ENT Switching Study Guide, Spanning Tree ?Chapter 3?

QUESTION 9

-- Exhibit ?



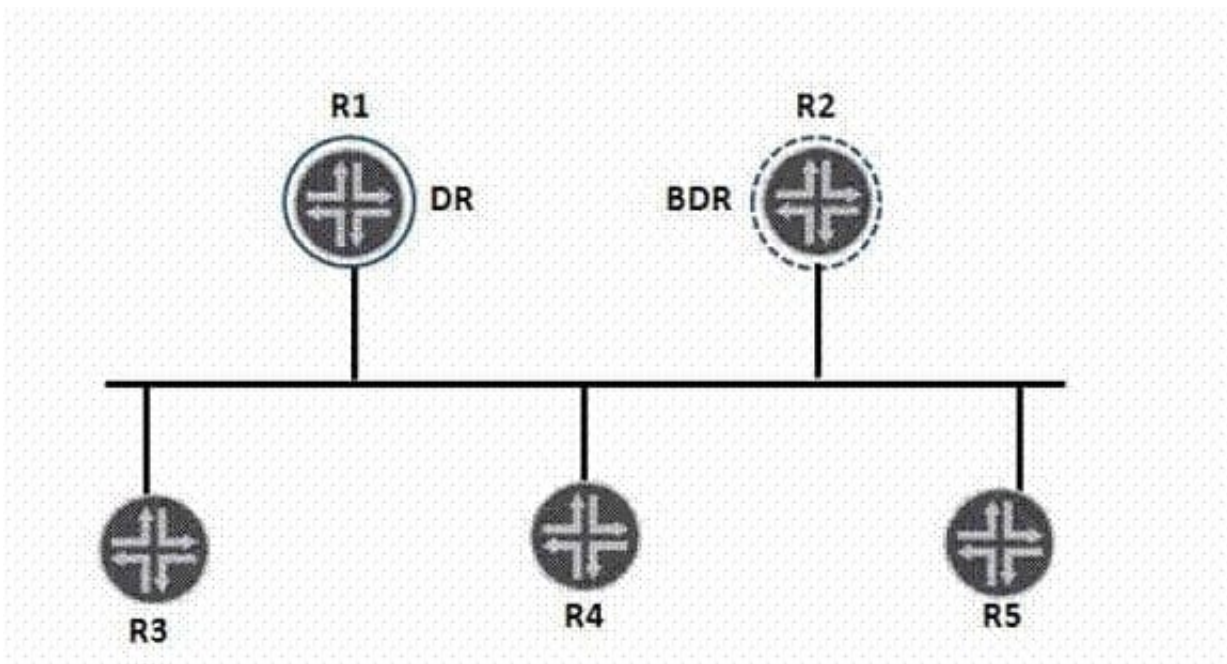
-- Exhibit -In the exhibit, R2 has a failure and R6 is promoted from the BDR to the DR.

Which router is elected as the new BDR?

- A. R1
- B. R3
- C. R4
- D. R5

Correct Answer: D

QUESTION 10



In the exhibit, you run the command `show ospf neighbor` on R3 and notice that an adjacency with R5 remains in the 2-Way state. Which statement is true?

- A. A problem exists with the physical link or Data Link Layer connectivity.
- B. The area type does not match on each end of the link.
- C. The IP MTU does not match on each end of the link.
- D. This output is normal in this configuration.

Correct Answer: D

QUESTION 11

How do two BGP peers signal their capabilities to each other?

- A. They include their capabilities in OPEN messages.
- B. They send UPDATE messages with their capabilities after the session is established.
- C. They send CAPABILITIES messages before they send OPEN messages.
- D. The network operator must manually configure the capabilities on both BGP peers.

Correct Answer: A

QUESTION 12

Which feature is used to route traffic to a specified ISP based on the source address?



- A. filter-based forwarding
- B. BGP outbound policy
- C. local preference
- D. IP source routing

Correct Answer: A

QUESTION 13

Your network design currently consists of a single OSPF backbone area. You are asked to reduce the size of the OSPF link-state database. Which two steps allow you to accomplish this task? (Choose two.)

- A. Include LSA export summarization policies on all participating ASBRs.
- B. Define multiple backbone areas and interconnect them using virtual links.
- C. Define multiple nonbackbone areas and connect them to the backbone area.
- D. Include route summarization on the ABRs participating in the configured areas.

Correct Answer: CD

QUESTION 14

What is the default value of the link-state advertisement (LSA) refresh timer in the Junos OS?

- A. 10 minutes
- B. 30 minutes
- C. 50 minutes
- D. 60 minutes

Correct Answer: C

QUESTION 15

Which two statements are correct regarding the default behavior of an EX Series switch? (Choose two.)

- A. All interfaces are set as access ports.
- B. No interfaces are assigned to a VLAN
- C. All interfaces are set as trunk ports.
- D. All interfaces are members of the default VLAN.



VCE & PDF

Pass4itSure.com

<https://www.pass4itsure.com/jn0-343.html>

2024 Latest pass4itsure JN0-343 PDF and VCE dumps Download

Correct Answer: BD

[Latest JN0-343 Dumps](#)

[JN0-343 Exam Questions](#)

[JN0-343 Braindumps](#)