



HPE6-A72^{Q&As}

Aruba Certified Switching Associate Dumps

Pass HP HPE6-A72 Exam with 100% Guarantee

Free Download Real Questions & Answers **PDF** and **VCE** file from:

<https://www.pass4itsure.com/hpe6-a72.html>

100% Passing Guarantee
100% Money Back Assurance

Following Questions and Answers are all new published by HP Official Exam Center

-  **Instant Download** After Purchase
-  **100% Money Back** Guarantee
-  **365 Days** Free Update
-  **800,000+** Satisfied Customers



**QUESTION 1**

Refer to the exhibit.

Port	Type	Product Number	Serial Number	Part Number
1/1/1	SFP+DAC1	J9281D	CN95KBZ00X	8121-1300
1/1/2	SFP+DAC1	J9281D	CN95KBZ086	8121-1300
1/1/5	SFP-BT	J8177D	CN96KK232S	1990-4640
1/1/7	SFP-BT	J8177D	CN96KK20R2	1990-4640
1/1/8	SFP-BT	J8177D	CN96KK232F	1990-4640
1/1/25	SFP28DAC3	JL488A	CN97KBG0BJ	8121-1743
1/1/26	SFP28DAC3	JL488A	CN97KBG057	8121-1743
1/1/45	SFP28DAC3	JL488A	CN97KBG0CW	8121-1743
1/1/46	SFP28DAC3	JL488A	CN97KBG0CX	8121-1743
1/1/47	SFP28DAC3	JL488A	CN97KBG0D6	8121-1743
1/1/48	SFP28DAC3	JL488A	CN97KBG038	8121-1743

Core - 1# █

What command (output shown above) gives the optics serial number and part number information?

- A. show interface physical
- B. show interface transceiver
- C. show inventory
- D. show interface optics

Correct Answer: B

Reference: https://techhub.hpe.com/eginfolib/networking/docs/switches/WB/15-18/5998-8162_wb_2920_mcg/content/c_h11s05.html

QUESTION 2

What are two available options as part of a DHCP offer message? (Choose two.)

- A. SSID
- B. DNS server IP
- C. Subnet Mask
- D. LLDP-MED
- E. VLAN ID



Correct Answer: BC

QUESTION 3

Refer to the exhibit.

```
Access-1(config-if)# show run int 1/1/1
interface 1/1/1
  no shutdown
  no routing
  vlan trunk native 1
  vlan trunk allowed all
  exit
Access-1(config-if)# vlan 100
Access-1(config-vlan-100)# exit
Access-1(config)#
```

What commands will successfully enable the SVI for vlan 100 on interface 1/1/1 to produce the results displayed in the command show ip interface brief in the exhibit below?

```
Access-1(config)# show ip interface brief
Interface          IP Address          Interface Status
                   IP Address          link/admin
1/1/2              No Address          down/down
1/1/3              No Address          down/down
1/1/4              No Address          down/down
1/1/5              No Address          down/down
Vlan100            10.1.1.1/24        up/up
```

- A. Access-1(config)# interface 1/1/1Access-1(config-if)# routingAccess-1(config-if)# interface vlan 100Access-1(config-if-vlan)# ip address 10.1.1.1/24
- B. Access-1(config)# interface 1/1/1Access-1(config-if)# vlan trunk permit vlan 100Access-1(config-if)# interface vlan 100Access-1(config-if-vlan)# ip address static 10.1.1.1/24
- C. Access-1(config)# interface vlan 100Access-1(config-if-vlan)# ip address 10.1.1.1/24
- D. Access-1(config-if)# vlan 100Access-1(config-vlan)# ip address 10.1.1.1/24



Correct Answer: C

QUESTION 4

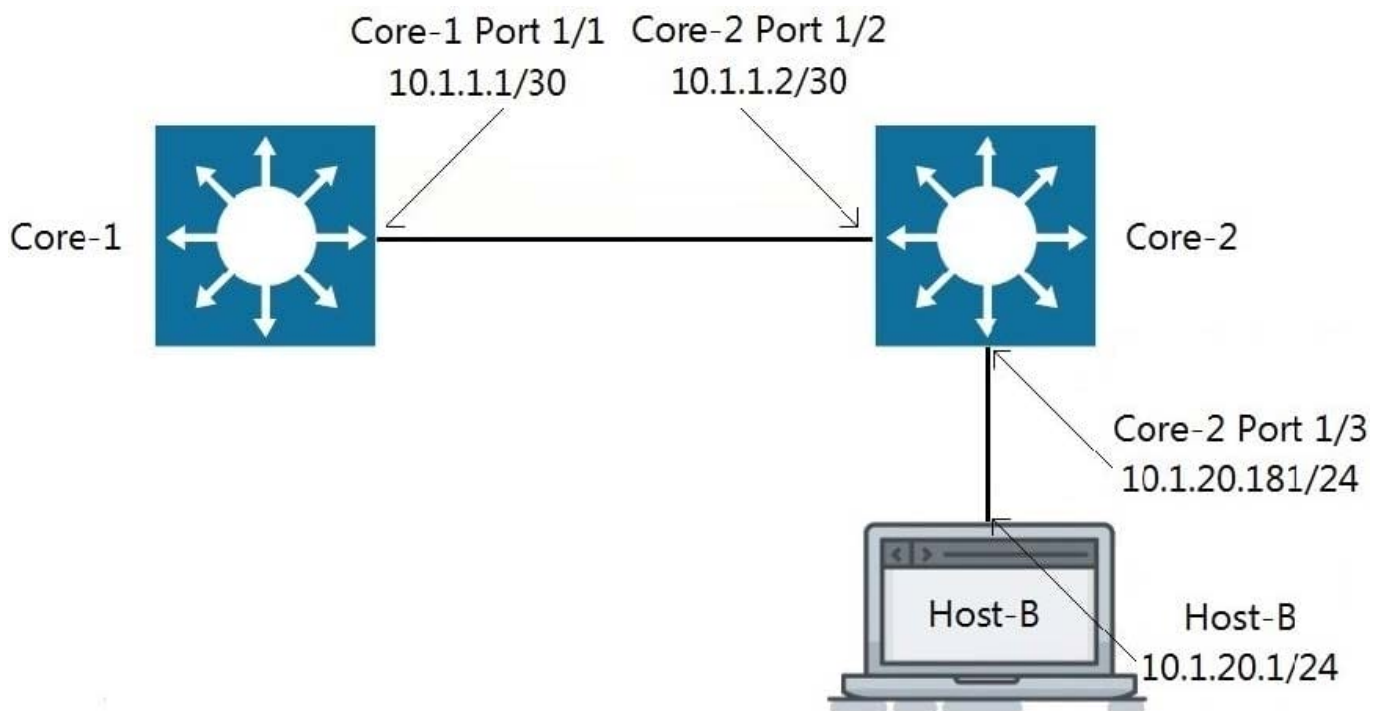
What command will save your configuration on an Aruba AOS-CX switch so that your changes automatically load on next reboot?

- A. copy running-config checkpoint startup-config
- B. copy startup-config running-config
- C. copy running-config initial-checkpoint
- D. copy running-config default

Correct Answer: A

QUESTION 5

Refer to the exhibit.



Traffic is failing between Core-1 and Host-B. IP addressing has correctly been applied, and all interfaces are attached to the vrf GREEN.

Which configuration will correct the issue?

- A. Core-2(config)# ip route 0.0.0.0/0 10.1.1.1 vrf GREEN Host-B: assign the default-gateway address 10.1.20.181



- B. Core-1(config)# ip route 10.1.20.0/24 10.1.1.2 vrf GREEN Host-B: assign the default-gateway address 10.1.20.181
- C. Core-1(config)# ip route 10.1.20.0/24 10.1.1.2 vrf GREEN Host-B: assign the default-gateway address 10.1.20.1
- D. Host-B: assign the default-gateway address 10.1.20.181

Correct Answer: B

QUESTION 6

Refer to the exhibit

```
Access-1 (config) # show vlan
```

VLAN	Name	Status	Reason	Type	Interfaces
1	DEFAULT_VLAN_1	up	ok	default	1/1/1-1/1/28
50	Engineering	down	no_member_port	static	

What is true regarding VLAN 50 according to the diagram above?

- A. VLAN 50 is part of a switched virtual interface (SVI) that was never routed causing it to be down.
- B. Since VLAN 50 has not been assigned to any enabled physical port, the status is down.
- C. VLAN 50 is assigned only to Trunk ports which is why no ports are listed under interfaces.
- D. VLAN 50 was never added to the vlan-database and therefore is in a down state.

Correct Answer: B

QUESTION 7

Refer to the exhibit.



```
T11-Access-2# show lldp configuration
```

```
LLDP Global Configuration
```

```
=====
LLDP Enabled                : Yes
LLDP Transmit Interval     : 30
LLDP Hold Time Multiplier  : 4
LLDP Transmit Delay Interval : 2
LLDP Reinit Time Interval  : 2
```

```
TLVs Advertised
```

```
=====
```

```
Management Address
Port Description
Port VLAN-ID
System Capabilities
System Description
System Name
OUI
```

```
LLDP Port Configuration
```

```
=====
```

PORT	TX-ENABLED	RX-ENABLED
1/1/1	Yes	Yes
1/1/2	Yes	Yes
1/1/27	Yes	Yes
1/1/28	Yes	Yes

<--- output omitted --->

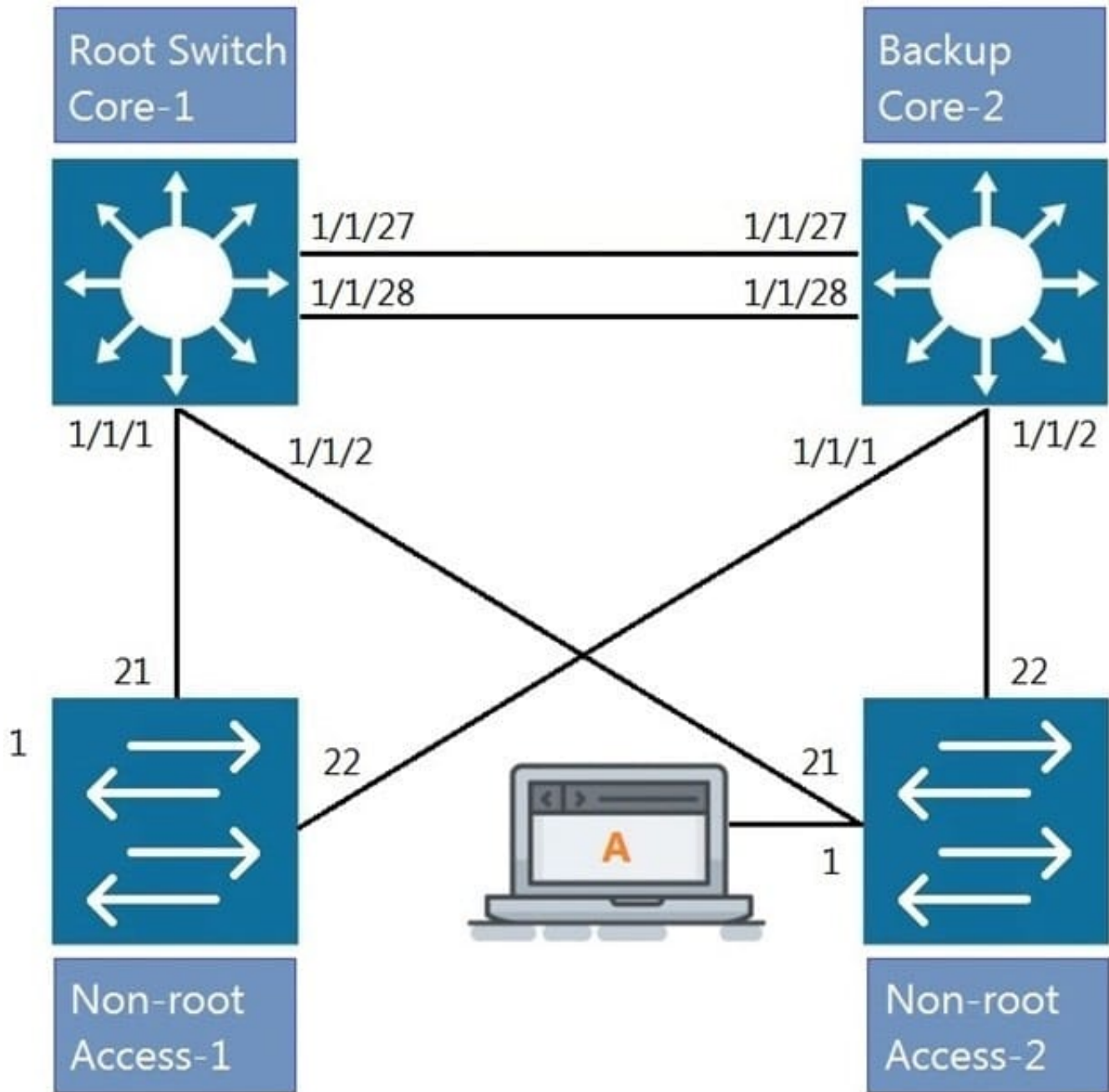
What configuration is needed in order for "show LLDP configuration" to show this output?

- A. none; LLDP is enabled by default on Aruba switches
- B. configuring LLDP both globally and on the interfaces
- C. enabling LLDP on the interfaces only
- D. configuring LLDP globally only

Correct Answer: A

QUESTION 8

Refer to the exhibit.



All four switches in the diagram have been configured with the region name "Aruba1".

What two other MSTP configurations must match for switches within the same MST region? (Choose two.)

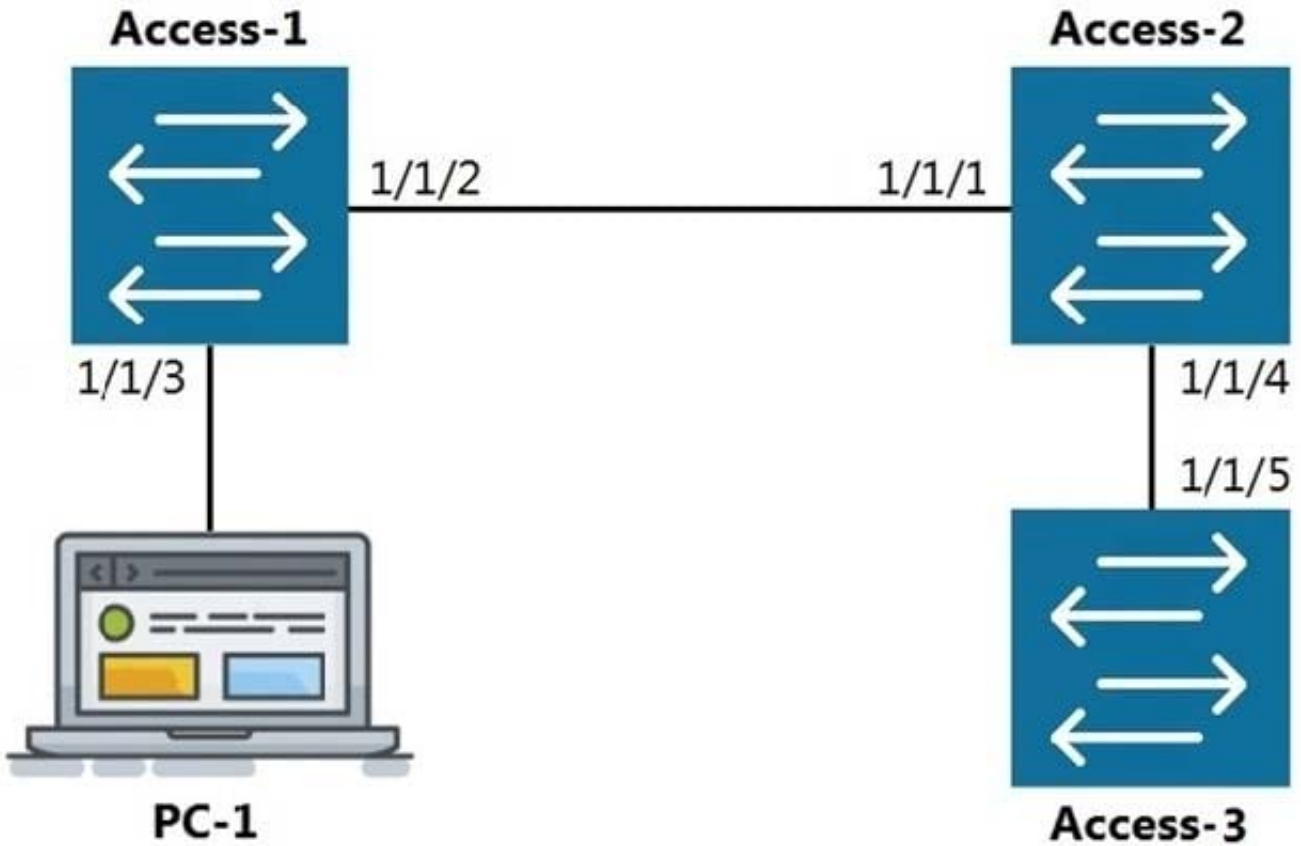
- A. MST region type
- B. MST Bridge ID
- C. MST version number
- D. MST revision number
- E. MST VLAN to instance mapping



Correct Answer: DE

QUESTION 9

Refer to the exhibit.



LLDP

The command `show LLDP neighbor-info` gets typed into Access-1. All switches are Aruba OS-CX switches.

What is the output of this command?



- A.
- | LOCAL-PORT | CHASSIS-ID | PORT-ID | PORT-DESC | TTL | SYS-NAME |
|------------|-------------------|---------|-----------|-----|----------|
| 1/1/1 | 90:20:c2:bc:ed:00 | 1/1/2 | 1/1/2 | 120 | Access-2 |
| 1/1/5 | 90:20:c2:bc:ef:00 | 1/1/2 | 1/1/2 | 120 | Access-3 |
- B.
- | LOCAL-PORT | CHASSIS-ID | PORT-ID | PORT-DESC | TTL | SYS-NAME |
|------------|-------------------|---------|-----------|-----|----------|
| 1/1/1 | 90:20:c2:bc:ed:00 | 1/1/2 | 1/1/2 | 120 | Access-2 |
- C.
- | LOCAL-PORT | CHASSIS-ID | PORT-ID | PORT-DESC | TTL | SYS-NAME |
|------------|-------------------|---------|-----------|-----|----------|
| 1/1/2 | 90:20:c2:bc:ed:00 | 1/1/1 | 1/1/1 | 120 | Access-2 |
| 1/1/2 | 90:20:c2:bc:ef:00 | 1/1/5 | 1/1/5 | 120 | Access-3 |
- D.
- | LOCAL-PORT | CHASSIS-ID | PORT-ID | PORT-DESC | TTL | SYS-NAME |
|------------|-------------------|---------|-----------|-----|----------|
| 1/1/2 | 90:20:c2:bc:ed:00 | 1/1/1 | 1/1/1 | 120 | Access-2 |

A. Option A

B. Option B

C. Option C

D. Option D

Correct Answer: D

QUESTION 10

Which port or ports should be allowed through a firewall so that an AOS-CX switch can act as an SNMP Agent?

A. UDP 1812 and UDP 1813

B. UDP 161

C. TCP 443

D. UDP 162

Correct Answer: B



QUESTION 11

DRAG DROP

Match the switching term to the correct definition.

Select and Place:

Term		Definition
Broadcast Domain		defines the group of devices that are on the same network segment that are capable of receiving and responding to frames destined to FF:FF:FF:FF:FF:FF
Collision Domain		the FIB used by switches matching known-source mac-addresses to the layer one port they are learned on
CSMA/CD		the mechanism used by Compute NICs and Switchports operating in half-duplex to detect and recover from frame collisions
Forwarding Table		the segment of a network connected by a shared medium, such as a hub, that is affected when two or more frames are sent at the same time

Correct Answer:

Term		Definition
	Broadcast Domain	defines the group of devices that are on the same network segment that are capable of receiving and responding to frames destined to FF:FF:FF:FF:FF:FF
	Forwarding Table	the FIB used by switches matching known-source mac-addresses to the layer one port they are learned on
	CSMA/CD	the mechanism used by Compute NICs and Switchports operating in half-duplex to detect and recover from frame collisions
	Collision Domain	the segment of a network connected by a shared medium, such as a hub, that is affected when two or more frames are sent at the same time

QUESTION 12

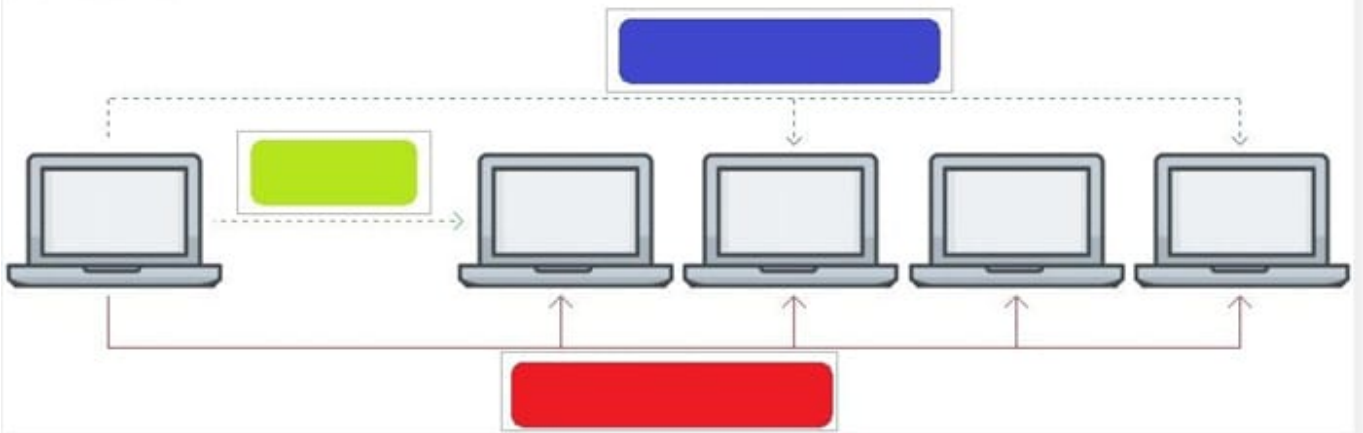
HOTSPOT

Click on the colored box that corresponds with the line that best represents Broadcast traffic flow.



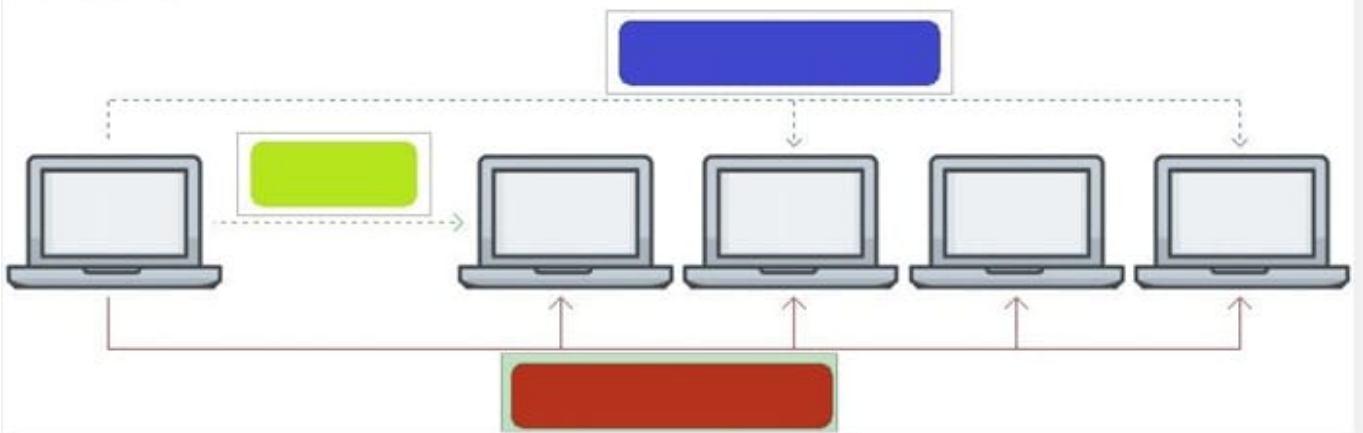
Hot Area:

Answer Area



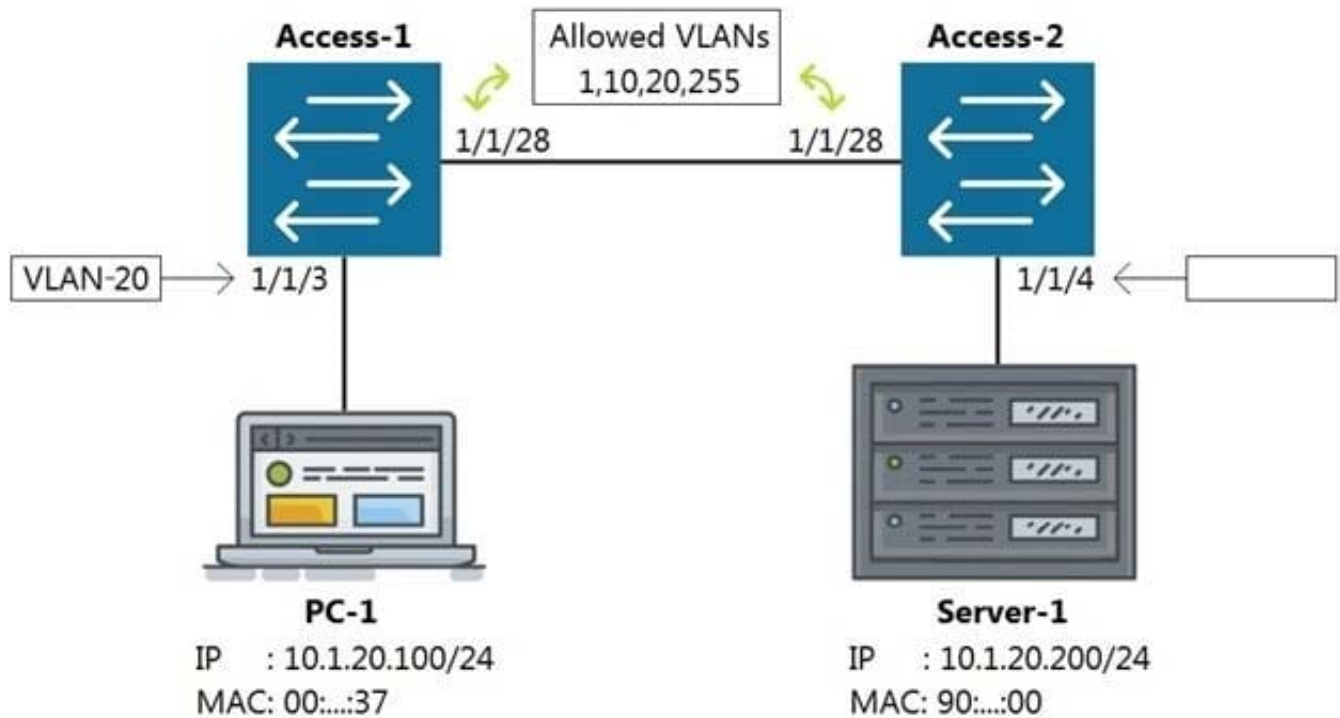
Correct Answer:

Answer Area



QUESTION 13

Refer to the exhibit



Which command on Access-2 port 1/1/4 will enable connectivity between PC-1 and Server-1 without any routing enabled in the network?

- A. Access-2 (config-if-1/1/4)# vlan access 1, 10, 20, 255
- B. Access-2 (config-if-1/1/4)# vlan access 20
- C. Access-2 (config-if-1/1/4)# vlan 20 untag 1/1/4
- D. Access-2 (config-if-1/1/4)# vlan trunk allow 1, 10, 255

Correct Answer: B

QUESTION 14

What is an available command on an Aruba AOS-CX switch that would back up the secondary image to a secure remote repository?

- A. backup secondary sftp://admin@10.1.1.21/GL.10.04.0003.swi
- B. copy secondary sftp://admin@10.1.1.21/GL.10.04.0003.swi
- C. copy sftp://admin@10.1.1.21/GL.10.04.0003.swi secondary
- D. copy secondary tftp://admin@10.1.1.21/GL.10.04.0003.swi

Correct Answer: B

QUESTION 15



Aruba Access Points tunnel traffic in a campus to the Mobility Controller using which protocol?

- A. Control and Provisioning of Wireless Access Points (CAPWAP)
- B. Generic Routing Encapsulation (GRE)
- C. Lightweight Access Point Protocol (LWAPP)
- D. Process Application Programming Interface (PAPI)

Correct Answer: B

[HPE6-A72 VCE Dumps](#)

[HPE6-A72 Practice Test](#)

[HPE6-A72 Braindumps](#)