



HPE6-A47^{Q&As}

Designing Aruba Solutions

Pass HP HPE6-A47 Exam with 100% Guarantee

Free Download Real Questions & Answers **PDF** and **VCE** file from:

<https://www.pass4itsure.com/hpe6-a47.html>

100% Passing Guarantee
100% Money Back Assurance

Following Questions and Answers are all new published by HP Official Exam Center

-  **Instant Download** After Purchase
-  **100% Money Back** Guarantee
-  **365 Days** Free Update
-  **800,000+** Satisfied Customers



**QUESTION 1**

What is one reason to recommend dedicated Air Monitors (AMs) for a customer, as opposed to APs that are doing WIPS in AP mode (hybrid)?

- A. AMs can operate in a hybrid operation mode in which they can support clients, scan for threats, and contain detected threats.
- B. AMs can implement wireless containment on any channel on which they detect a threat without negative impact on clients.
- C. AMs can detect both 802.11 and non-802.11 sources of interference to the wireless network, while APs cannot.
- D. AMs can maintain client and AP blacklists on their own without the need to communicate with a Mobility Controller (MC).

Correct Answer: B

QUESTION 2

A customer currently has an Instant AP deployment.

Which customer requirement would indicate that the customer needs to add a controller to the deployment?

- A. the requirement to apply role-based firewall policies
- B. the requirement for a captive portal for guests
- C. the requirement to provide client-to-site VPN access for remote users
- D. the requirement for a cloud-based management solution

Correct Answer: D

QUESTION 3

Read this scenario thoroughly, and then answer each question that displays on the right side of the screen.

An architect proposes these products for a customer who wants a wireless and wired upgrade:

1.

Aruba 2930M switches at the access layer

2.

Aruba 5406R switches at the core

3.

Aruba AP-325s



4.

Aruba 7205 Mobility Controllers (MCs), deployed in a cluster

5.

Aruba Mobility Master (MM)

6.

Aruba ClearPass Cx000V

7.

Aruba AirWare

The architect also needs to propose a security plan for the solution. The customer has 900 employees and up to 30 guests a day. The customer wants to protect the internal perimeter of the network with authentication and simple access controls. The customer is most concerned about wireless security, but also wants to ensure that only trusted users connect on the wire. However, the customer also wants all wired traffic to be forwarded locally on access layer switches. The customer already has a third-party firewall that protects the data center.

The customer wants to use certificates to authenticate user devices, but is concerned about the complexity of deploying the solution. The architect should recommend a way to simplify. For the most part users connect company-issued laptops to the network. However, users can bring their own devices and connect them to the network. The customer does not know how many devices each user will connect, but expects about two or three per-user. DHCP logs indicate that the network supports a maximum of 2800 devices.

Refer to the provided scenario. Based on the plan for wired authentication, what is a correct plan for wired user VLANs?

- A. use the MCs to assign wired users to their VLANs, and extend the VLANs to a Layer 3 switch connected to the MC
- B. specify the VLANs in network policies on AirWare, and ensure that both the switches and MCs are managed by AirWare
- C. assign wired users to different VLANs from wireless users, based on port or role assignments on access layer switches. Extend the VLANs to the core.
- D. configure the same roles on switches and MCs to place wired and wireless users in the same VLANs. Extend VLANs from access layer switches to the core.

Correct Answer: C

QUESTION 4

An architect learns that a customer site is 14,307 square meters (154,000 square feet) and supports 900 employees using WiFi 5 Ghz radio. What additional information should the architect collect to create the RF plan?

- A. number of devices used by each user
- B. the OS used on wireless devices
- C. whether BLE wayfinding is required



D. software version on Mobility Controllers (MCs)

Correct Answer: A

QUESTION 5

An architect plans 12 APs for an auditorium that is 325 square meters (3, 498 square feet). Each AP has one 2.4 GHz radio and one 5 GHz radio. Both types of radios use 20 MHz channels.

Assume that DFS channels can be used in this design.

How many 5 GHz collision domains does this design provide?

- A. 1
- B. 6
- C. 12
- D. 25

Correct Answer: B

QUESTION 6

A customer needs a wireless solution upgrade. Among the devices that need wireless access are printers. What information about the printers does the architect need to plan the wireless solution? (Select two.)

- A. whether the printers are physically locked down
- B. the identify of users who need to access printers
- C. whether the printers support Power over Ethernet (PoE)
- D. whether the printers support 802.1X
- E. the 802.11 standards supported by the printer

Correct Answer: C

QUESTION 7

An architect plans to purpose two Aruba Mobility Controllers (MCs) in a cluster. The customer has a large building that needs to support about 10,000 devices. The architect plans to associate the Employees WLAN with VLAN ID 10.

What is one Aruba best practice for this design?

- A. Ensure that VLAN 10 is extended to the edge and Aruba APs are deployed on it.
- B. Ensure that each user role on the MCs is associated with a different VLAN ID.



- C. Ensure that the RADIUS server assigns users to different VLANs dynamically.
- D. Ensure that optimization and suppression of unnecessary multicast is enabled.

Correct Answer: C

QUESTION 8

A customer requires high availability for wireless services, including stateful failover for user connections if the Mobility Controller (MC) that handles the user traffic fails.

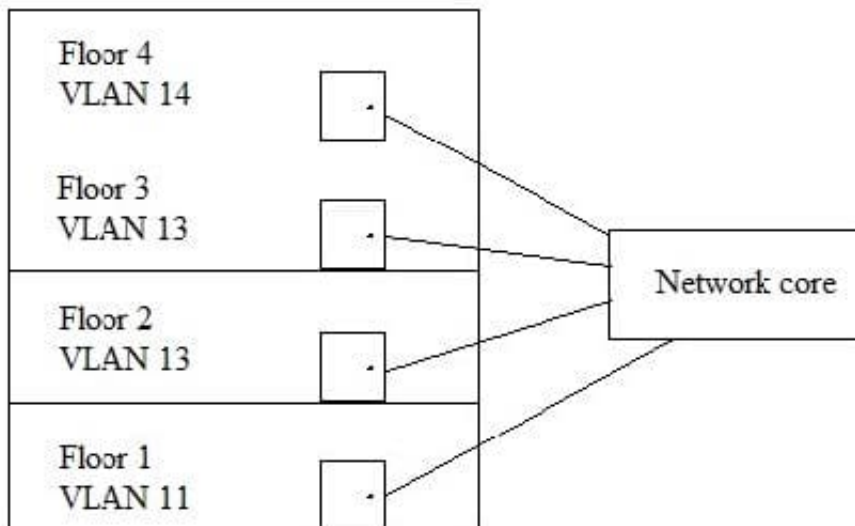
What is the requirement for the design?

- A. MCs are deployed in a cluster, and they are on the same VLAN
- B. MCs are distributed across each VLAN on which APs are deployed and have VRRP enabled.
- C. MCs have a standby master IP address assigned to them.
- D. MCs have enough licenses to support the APs for which they are active and standby MC.

Correct Answer: B

QUESTION 9

Refer to the exhibit.



A customer needs to upgrade the wireless network at their campus, which has a single large building. Employees use the wireless network to access the Internet and centralized services. The building has four floors. These are the requirements: 30 APs on each floor A Mobility Master (MM)-based architecture Deployment of one Aruba 7030 Mobility Controller (MC) on each floor, with the MCs combined in a cluster for seamless client failover and roaming

What should the architect explain to the customer about the proposed solution?



- A. MCs should be deployed centrally on the same VLAN to better meet these goals
- B. MCs in a cluster must have additional AP licenses to support APs of a failed controller
- C. The MC 7030 does not support enough APs for the requirements
- D. The MC 7030 only supports clusters with up to three members

Correct Answer: A

QUESTION 10

A customer needs a wired network solution that can recognize and prioritize a wide array of different types of traffic, including casual Web browsing, voice, video, SAP Online, and file sharing.

The architect needs to choose between the Aruba 2930F or the 2540 Switch Series for the access layer switch.

Why would the architect choose the 2930F rather than the 2540 Switch Series for this customer?

- A. The 2930F Series supports LLDP-MED for detecting VoIP traffic, while the 2540 Series does not.
- B. The 2930F Series supports advancing routing, including multi-area OSPF, while the 2540 Series does not.
- C. The 2930F Series supports more options for class-based QoS policies than the 2540 Series.
- D. The 2930F Series can provide better congestion management with its much deeper buffers.

Correct Answer: D

QUESTION 11

An architect plans 128 APs to support 12,800 devices in a very high density (VHD) design. The customer requires high availability, so the architect plans to recommend a pair of controllers.

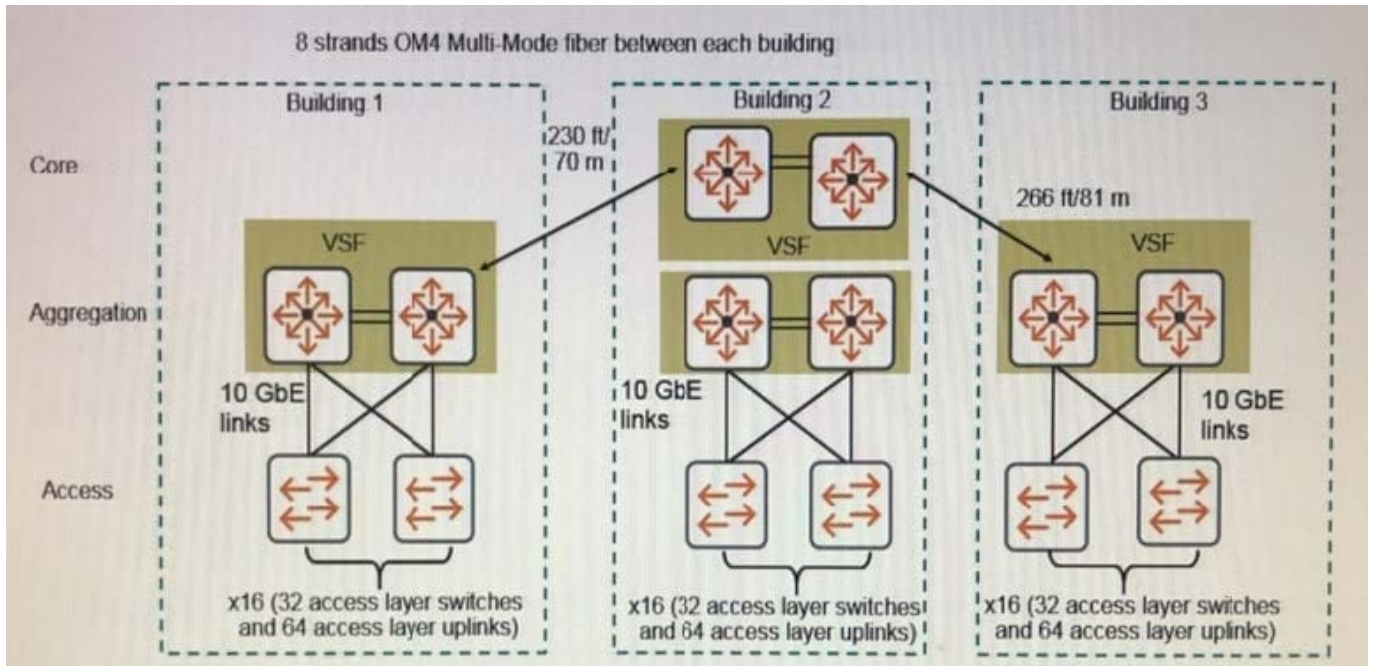
What is one reason to recommend 7210 controllers rather than 7205 controllers for this deployment?

- A. the need for high speed 10 GbE ports
- B. the need for clustering
- C. the number of devices required
- D. the number of APs required

Correct Answer: C

QUESTION 12

Refer to the exhibit.



An architect selects 5406R switches for the aggregation layer.

What is an appropriate amount of bandwidth for the link aggregation between each aggregation layer VSF fabric and the campus core?

- A. 60 Gbps
- B. 160 Gbps
- C. 200 Gbps
- D. 320 Gbps

Correct Answer: C

QUESTION 13

An architect simulates VoIP calls and tests the throughput as 67 Kbps, packet loss as 0.3 percent, maximum latency as 100 ms, and maximum jitter as 100 ms.

Which issue typically causes a poor experience for users?

- A. the packet loss
- B. the throughput
- C. the latency
- D. the jitter

Correct Answer: D



QUESTION 14

An architect needs to plan a wireless deployment. The architect conducts a physical walkthrough, but still needs more information.

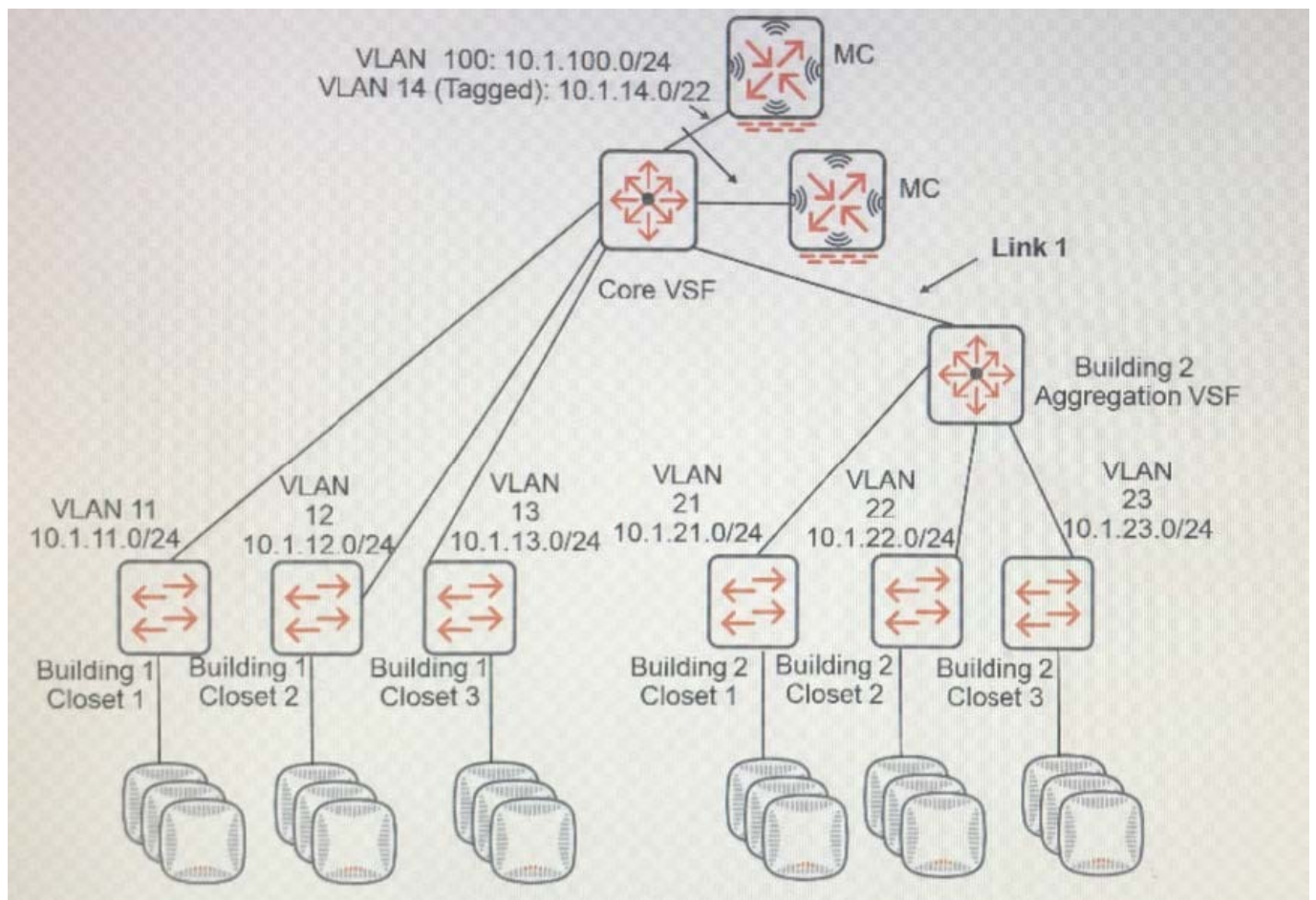
Which significant RF obstacle can be difficult to see visually and might require access to blueprints?

- A. fiberglass
- B. metal firewall
- C. ceiling tiles
- D. drywall

Correct Answer: A

QUESTION 15

Refer to the exhibit.



The customer needs to expand its wired and wireless network to a new building, Building 2, which is near the existing building, Building 1. The exhibit shows the logical plan that the architect has created so far. The aggregation layer switches in the new building should provide the default gateway services for the VLANs in the new building and route



traffic to the core. The existing Aruba Mobility Controllers (MCs) will control the new APs.

What should be the VLAN assignment for Link 1, indicated in the exhibit?

- A. an unused VLAN such as 200
- B. VLANs 21, 22, and 23 only
- C. VLANs 11, 12, 13, 21, 22, and 23
- D. the default VLAN and VLAN 14

Correct Answer: C

[HPE6-A47 PDF Dumps](#)

[HPE6-A47 Practice Test](#)

[HPE6-A47 Braindumps](#)