



HPE6-A41^{Q&As}

Applying Aruba Switching Fundamentals for Mobility

Pass HP HPE6-A41 Exam with 100% Guarantee

Free Download Real Questions & Answers **PDF** and **VCE** file from:

<https://www.pass4itsure.com/hpe6-a41.html>

100% Passing Guarantee
100% Money Back Assurance

Following Questions and Answers are all new published by HP Official Exam Center

-  **Instant Download** After Purchase
-  **100% Money Back** Guarantee
-  **365 Days** Free Update
-  **800,000+** Satisfied Customers





QUESTION 1

A network administrator wants to pre-configure new MSTP region settings on ArubaOS switches, and then apply the new settings at a later time. How can the administrator pre-configure the settings?

- A. Change the MSTP region name after the new settings are configured.
- B. Create a second spanning tree region on the switch and apply the settings to this region.
- C. Use the pending option in the spanning-tree commands.
- D. Change the MSTP region revision number after the new settings are configured.

Correct Answer: C

QUESTION 2

Refer to the exhibit. Exhibit 1.

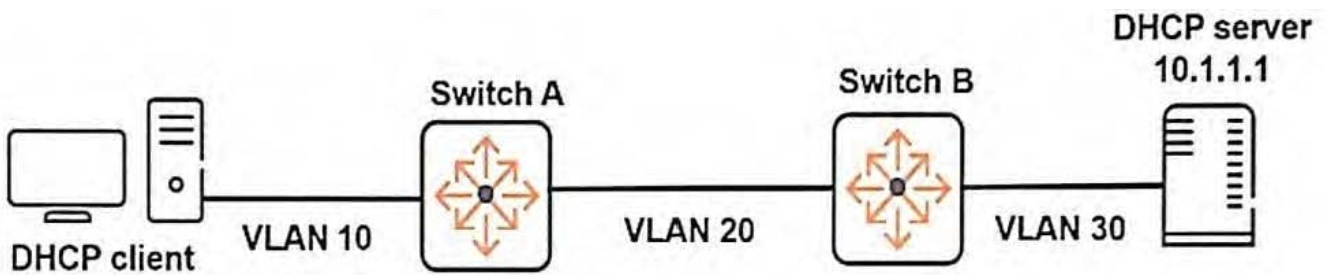


Exhibit 2.



```
SwitchA# show ip
```

```
Internet (IP) Service
```

```
IP Routing : Enabled
```

```
Default TTL      : 64
Arp Age         : 20
Domain Suffix   :
DNS server      :
```

VLAN	IP Config	IP Address	Subnet Mask	Proxy ARP Std	Proxy ARP Local
DEFAULT_VLAN	Disabled				
VLAN10	Manual	10.1.10.254	255.255.255.0	No	No
VLAN20	Manual	10.1.20.1	255.255.255.0	No	No

```
SwitchB# show ip
```

```
Internet (IP) Service
```

```
IP Routing : Enabled
```

```
Default TTL      : 64
Arp Age         : 20
Domain Suffix   :
DNS server      :
```

VLAN	IP Config	IP Address	Subnet Mask	Proxy ARP Std	Proxy ARP Local
DEFAULT_VLAN	Disabled				
VLAN20	Manual	10.1.20.2	255.255.255.0	No	No
VLAN30	Manual	10.1.1.254	255.255.255.0	No	No

A network administrator needs to set up DHCP relay in a switched network comprised of ArubaOS switches. Switch A and Switch B have the IP settings in Exhibit 2, and no static or dynamic routes. Switch B is the DHCP server's default gateway. The administrator correctly configures the IP helper address on Switch A. However, when the DHCP client attempts to acquire an IP address in VLAN 10, the process fails.

What does the administrator need to do to solve this problem?

- A. Configure a static route on Switch A, and enable IP Helper on Switch B.
- B. Configure a static route on Switch A.
- C. Configure a static route on Switch A and Switch B, and enable IP Helper on Switch B.
- D. Configure a static route on Switch A and Switch B.

Correct Answer: D

QUESTION 3



A network administrator plans to set up a WLAN on an Aruba Instant cluster. The WLAN uses WPA/WPA2 Enterprise security. The administrator wants no authenticate users locally on the cluster.

How should the administrator configure me credentials?

- A. Add a user account for each employee to the cluster internal server database.
- B. Import authorized device MAC addresses to the cluster.
- C. Implement a shared secret or password in the cluster WLAN settings.
- D. Set up an external RADIUS server for authorization.

Correct Answer: D

QUESTION 4

Refer to the exhibit.

Exhibit 1.

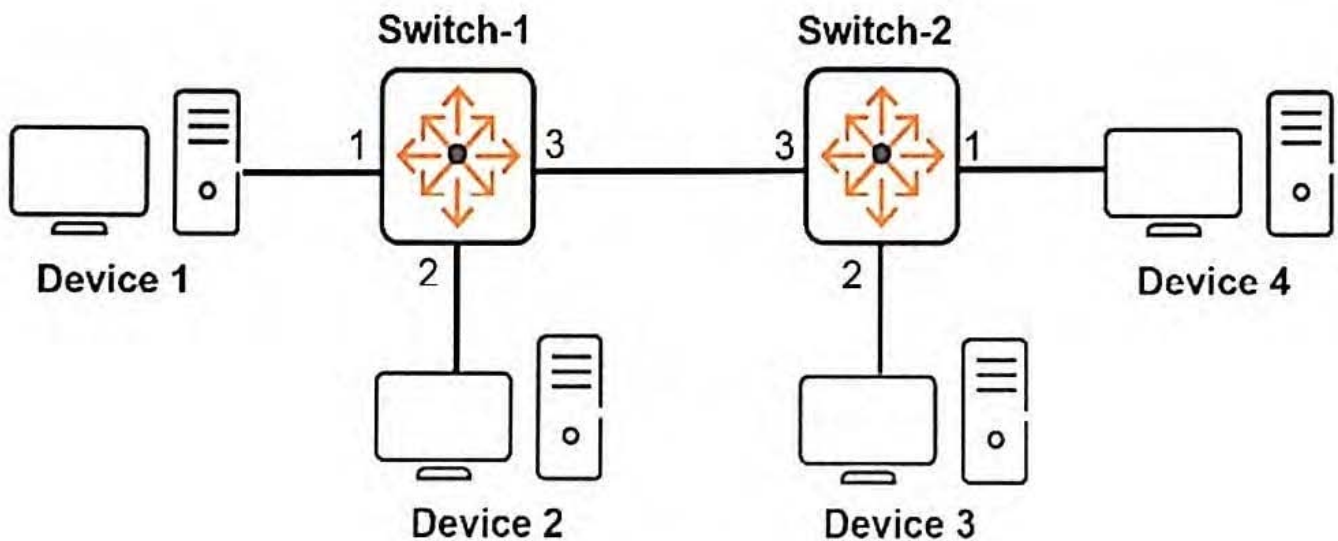


Exhibit 2.



```
Switch-1# show vlan 2
Status and Counters - VLAN Information - VLAN 2
VLAN ID : 2
```

```
<-output omitted->
```

Port Information	Mode	Unknown VLAN	Status
1	Untagged	Learn	Up
3	Tagged	Learn	Up

```
Switch-1# show vlan 3
Status and Counters - VLAN Information - VLAN 3
VLAN ID : 3
```

```
<-output omitted->
```

Port Information	Mode	Unknown VLAN	Status
2	Untagged	Learn	Up
3	Tagged	Learn	Up

```
Switch-2# show vlan 2
Status and Counters - VLAN Information - VLAN 2
VLAN ID : 2
```

```
<-output omitted->
```

Port Information	Mode	Unknown VLAN	Status
1	Untagged	Learn	Up
3	Tagged	Learn	Up

```
Switch-2# show vlan 3
Status and Counters - VLAN Information - VLAN 3
VLAN ID : 3
```

```
<-output omitted->
```

Port Information	Mode	Unknown VLAN	Status
2	Untagged	Learn	Up
3	Tagged	Learn	Up

Which devices can communicate with each other at Layer 2?

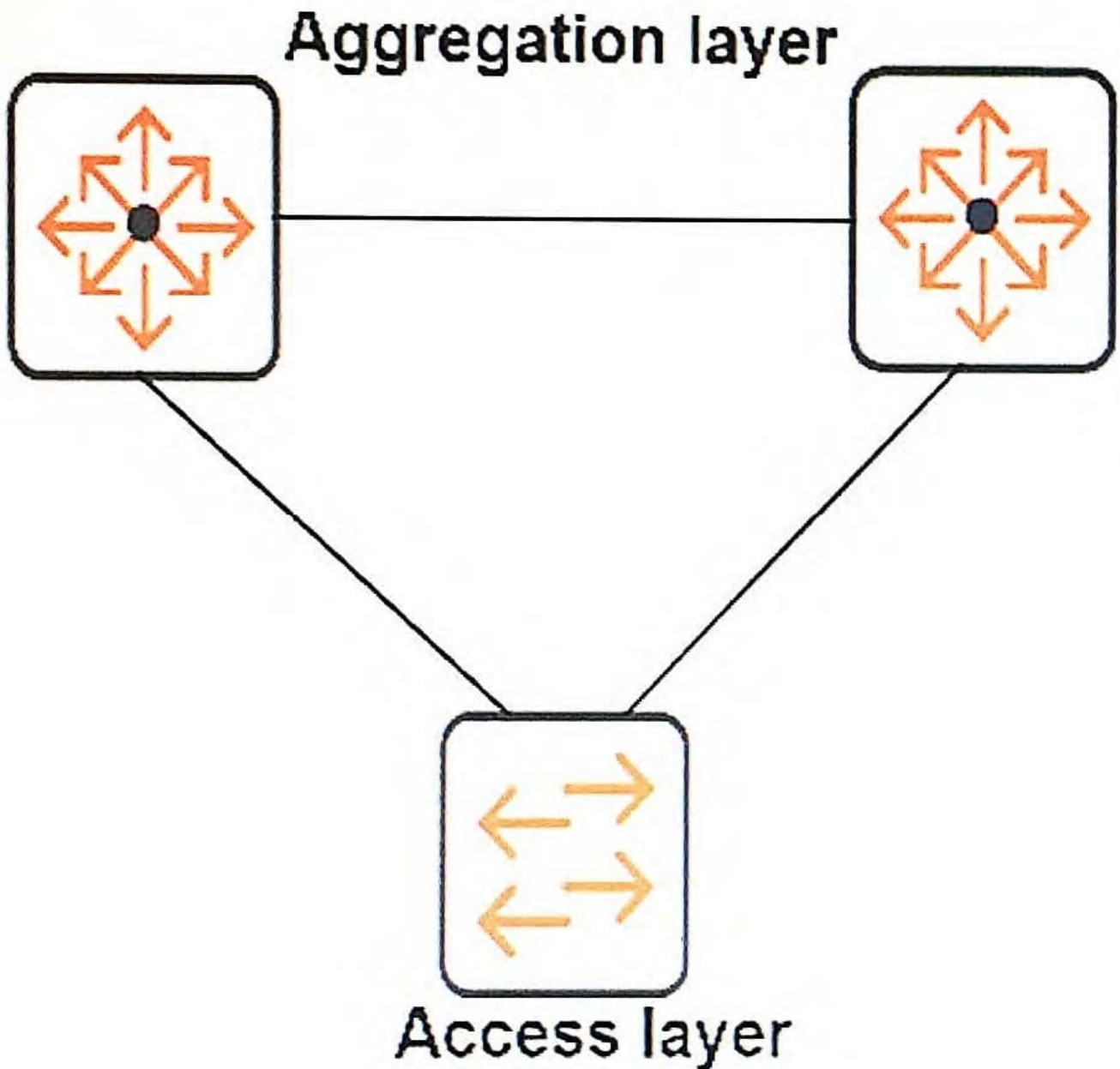


- A. Devices 1 and 2 can communicate at Layer 2; Devices 3 and 4 can communicate at Layer 2.
- B. Devices 2 and 3 can communicate at Layer 2.
- C. Devices 1 and 3 can communicate at Layer 2.
- D. Devices 1 and 4 can communicate at Layer 2; Devices 2 and 3 can communicate at Layer 2.

Correct Answer: B

QUESTION 5

Refer to the exhibit.





A network administrator installs a new aggregation and access layer in a campus network. All users in this area belong to the same VLAN. The administrator plugs the switches into the network with the factory default configurations.

Which protocol must the administrator configure to prevent broadcast storms?

- A. MSTP
- B. LLDP
- C. OSPF
- D. LACP

Correct Answer: A

QUESTION 6

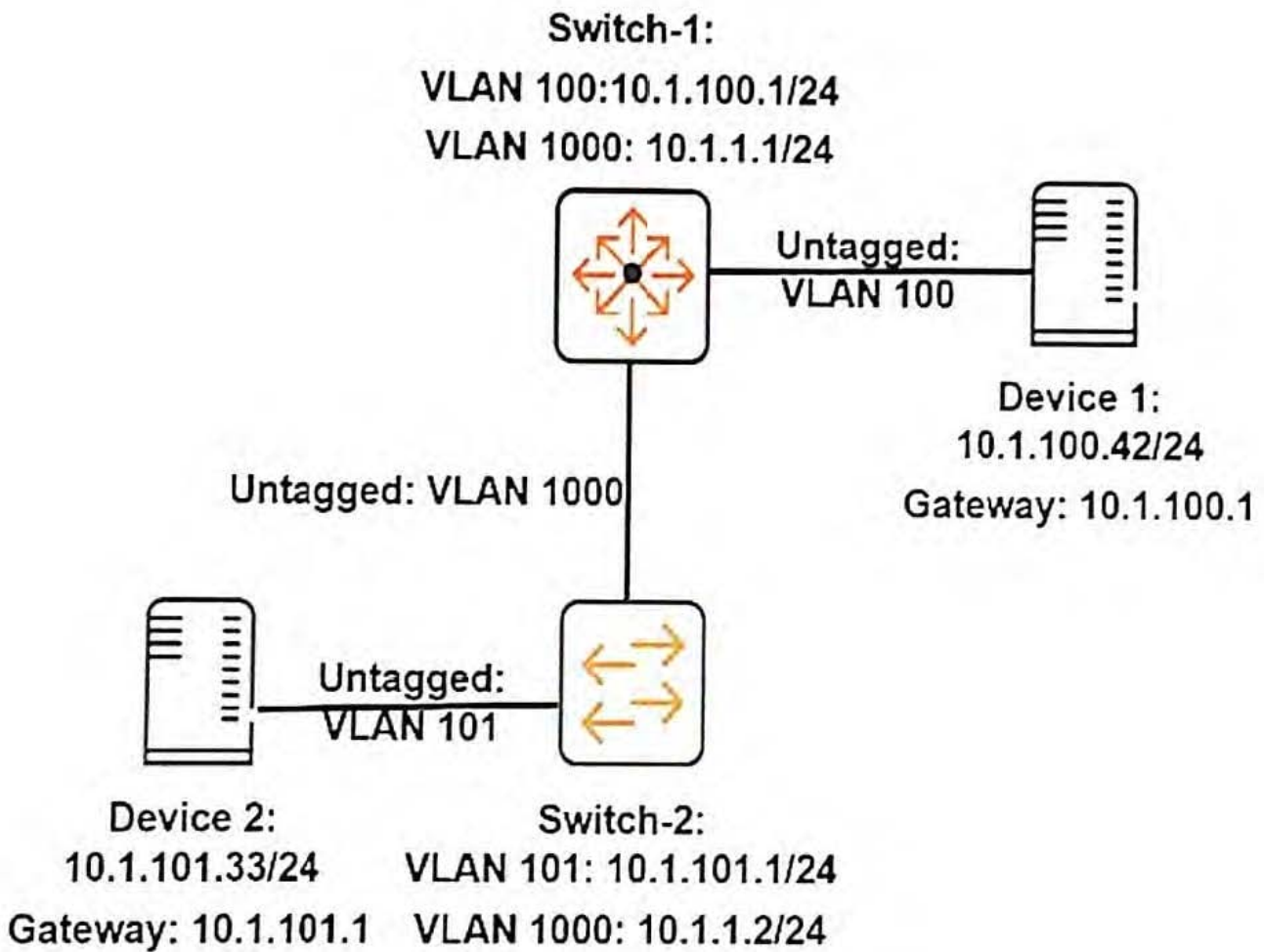
A network administrator wants to download a configuration from an ArubaOS switch. The administrator does not have local access to the switch and wants to copy the configuration in a secure manner that prevents eavesdroppers from reading the configuration. Which two options can the administrator use to copy the configuration?

- A. SFTP and HTTPS
- B. ZModem and SFTP
- C. HTTPS and TFTP
- D. HTTPS and ZModem

Correct Answer: A

QUESTION 7

Refer to the exhibit.



A network administrator executes this command on an ArubaOS switch, Switch-2:

```
Switch-2(config)# ip route 10.1.100.0/24 10.1.1.1
```

The administrator successfully pings Device 1 at 10.1.100.42 from Switch-2. However, Device 2 cannot ping Device 1.

The administrator confirms that Device 1 is correctly set up.

What should the administrator check on Switch-2 to resolve this issue?

- A. that ARP proxy is enabled
- B. that IP routing is enabled
- C. that spanning tree is disabled
- D. that ICMP is enabled

Correct Answer: B



QUESTION 8

A network administrator wants to form a cluster with several Aruba Instant APs. What is required to achieve this goal?

- A. All APs must be pre-configured with WLANs with the same SSID.
- B. All APs must be in the same regulatory domain.
- C. All APs must operate on the same radio channel.
- D. All APs must be the same model.

Correct Answer: B

QUESTION 9

What does the traceroute command that is entered on an ArubaOS switch identify?

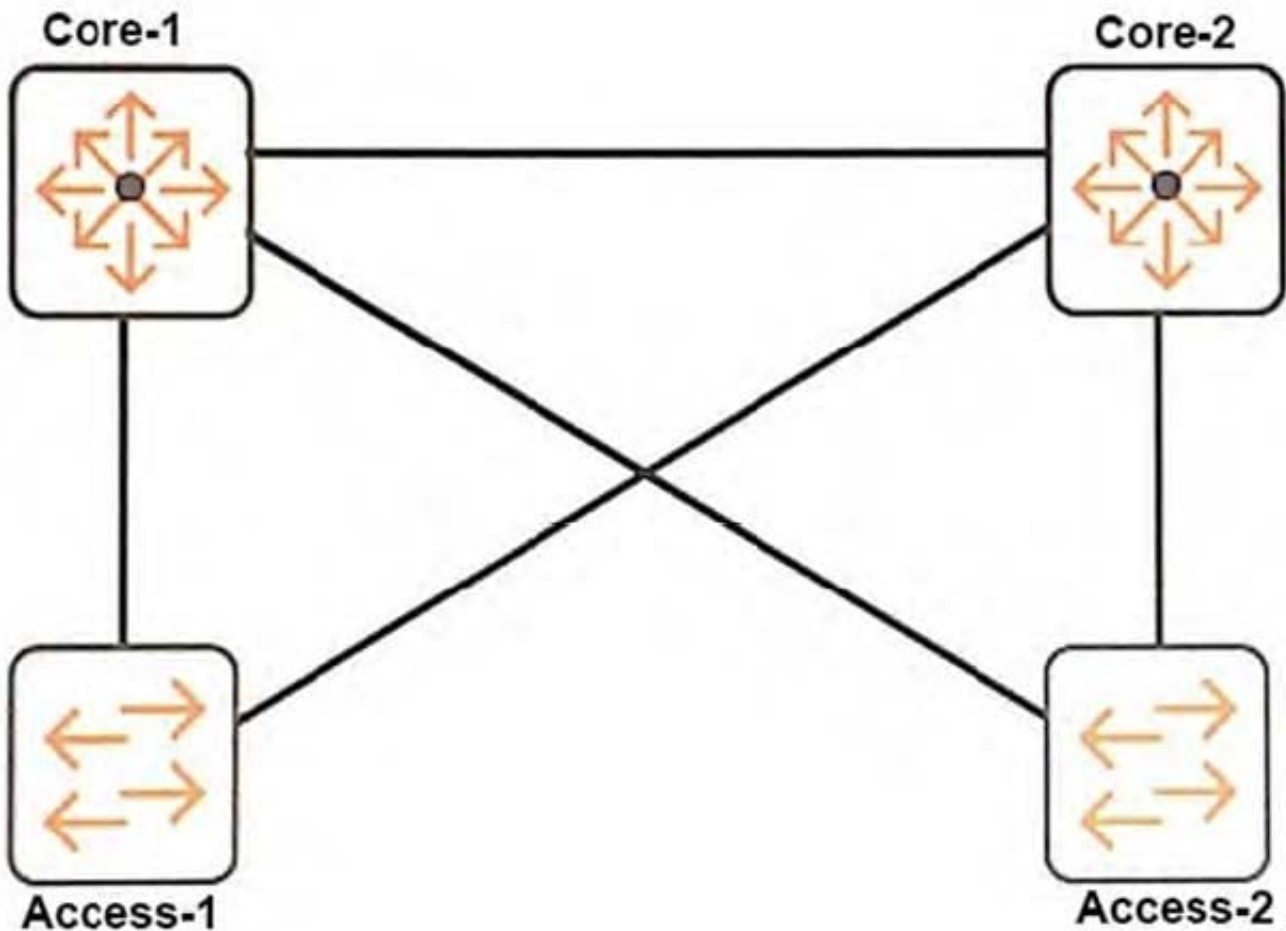
- A. each physical device between the switch and a destination
- B. the path to each router connected to the switch
- C. each Layer 3 device between the switch and a destination
- D. debug output tracing entries to the routing table

Correct Answer: C

QUESTION 10

Refer to the exhibits.

Exhibit 1 Exhibit 2



Core-1 spanning tree related config

```
#  
spanning-tree  
spanning-tree priority 0
```

All other switch spanning tree related config

```
#  
spanning-tree
```

A network uses RSTP, as shown in the exhibits. The network administrator wants switches to use the link that connects to Core-2 to forward some of the traffic. The administrator enters these commands on every switch shown in the exhibit:

```
Switch(config)# spanning-tree config-name myswitches  
Switch(config)# spanning-tree config-revision 1  
Switch(config)# spanning-tree instance 1 vlan 10-19  
Switch(config)# spanning-tree instance 2 vlan 20-29
```

The administrator then discovers that the links to Core-2 still did not forward any traffic. What should the administrator do to enable these links to carry traffic?

A. Activate the MSTP region configuration on all switches.

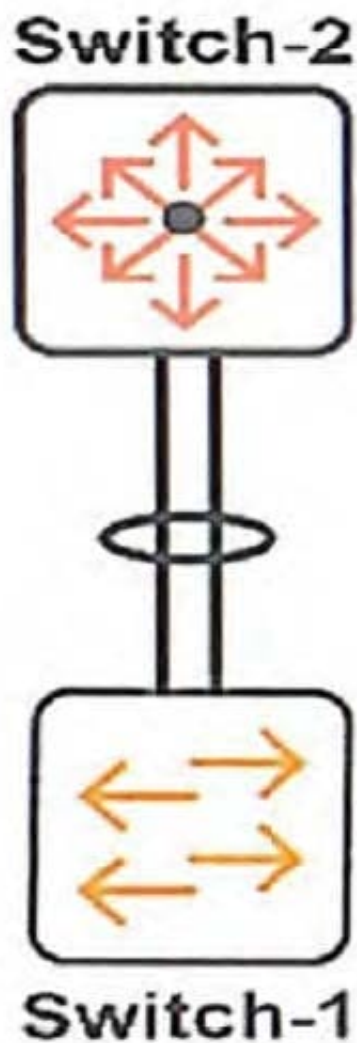


- B. Lower the port cost on the links that connect to Core-2 on the access layer switches.
- C. Configure Core-2 with spanning tree priority 0 in instance 2.
- D. Change the spanning tree mode to MSTP on all switches.

Correct Answer: B

QUESTION 11

Refer to the exhibit.



A network administrator wants to set up a link aggregation between two switches, as shown in the exhibit. The link aggregation must meet these requirements:



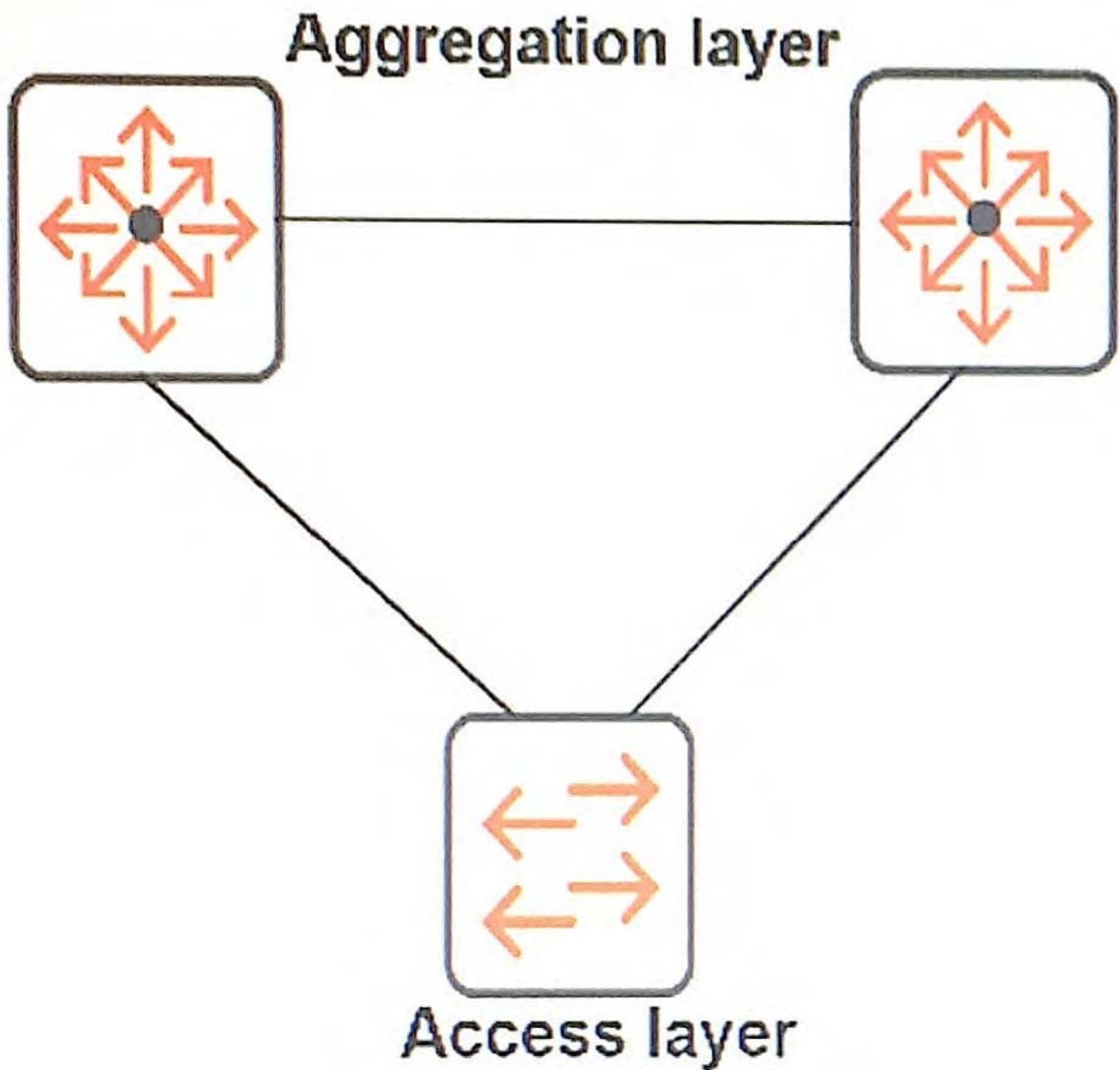
Protects against misconfiguration Can be configured with VLANs and other settings Which type of link aggregation should the administrator create?

- A. dynamic LACP
- B. static LACP
- C. manual (trunk)
- D. distributed (trunk)

Correct Answer: B

QUESTION 12

Refer to the exhibit.



Based on the topology shown in the exhibit, which symptom does a network administrator see if the ArubaOS switches are in their factory default states?

- A. Ports places in a blocking state
- B. Mislearned MAC addresses
- C. TTL expired in transit
- D. Layer 3 loop

Correct Answer: D



QUESTION 13

Refer to the exhibit.

Exhibit 1.

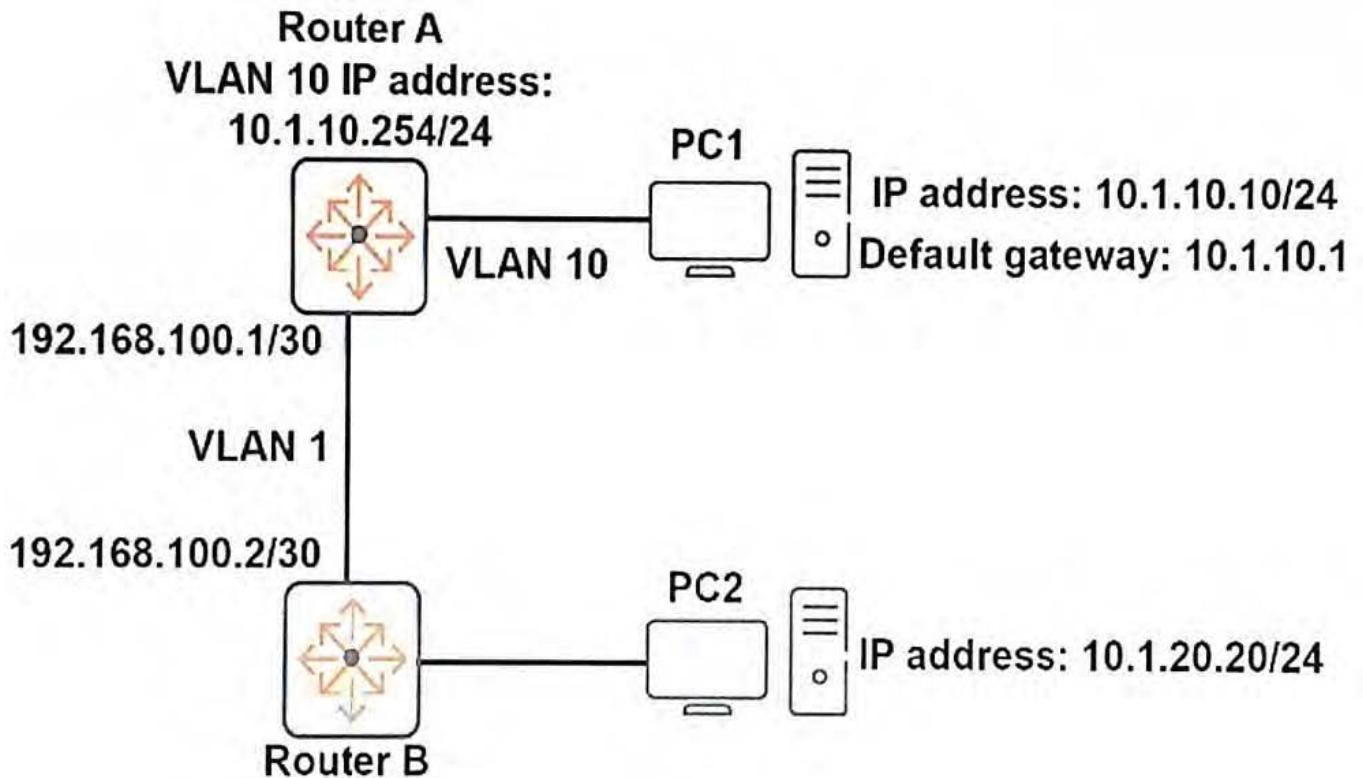


Exhibit 2.

Router A IP routing table			
Destination Mask	Proto	NextHop	Interface
10.1.10.0/24	Direct	10.1.10.254	vlan10
10.1.20.0/24	Static	192.168.100.2	vlan1
192.168.100.0/30	Direct	192.168.100.1	vlan1

PC1 cannot reach PC2.

Based on the exhibits, what could be the cause of this issue?

- A. PC1 has the wrong IP address for its default gateway setting.
- B. Router A has a direct route, instead of a static route, to 10.1.10.0/24.
- C. The next hop address for the 10.1.20.0/24 route is incorrect.
- D. Router A has an invalid subnet mask for the VLAN 1 subnet.

Correct Answer: A

**QUESTION 14**

Refer to the exhibit.

```
Switch-1# show spanning-tree topo-change-history originated
Status and Counters - CST Regional Topology Changes History
MST Instance Id : CST
      Current          Previous
Port Role             Role           Date Time
-----
25    Designated      Alternate     07/07/2016 04:14:59
25    Alternate        Designated    07/07/2016 04:10:20
25    Designated      Alternate     07/07/2016 04:08:34
25    Alternate        Designated    07/07/2016 04:07:12
25    Designated      Alternate     07/07/2016 04:05:38
```

Based on the exhibit, what is the problem?

- A. An issue causes the spanning tree to converge and re-converge again and again.
- B. Interface 25 on Switch-1 is incorrectly configured as an STP edge port and cause a loop to occur.
- C. Interface 25 on Switch-1 does not support the correct VLANs and prevents the interface from receiving the correct STP role.
- D. Switch-1 and another switch are configured with the same spanning tree priority and cause the root election to occur again and again.

Correct Answer: A

QUESTION 15

A network administrator wants to use Aruba AirWave to manage Aruba 3810 Series switches deployed at the campus access layer. How does AirWave determine which configuration template to apply to these switches?

- A. based on their group
- B. based on their lowest level subfolder
- C. based on their top level folder
- D. based on the global group associated with their group

Correct Answer: D