



# HP2-Z34<sup>Q&As</sup>

Building HP FlexFabric Data Centers

**Pass HP HP2-Z34 Exam with 100% Guarantee**

Free Download Real Questions & Answers **PDF** and **VCE** file from:

<https://www.pass4itsure.com/hp2-z34.html>

100% Passing Guarantee  
100% Money Back Assurance

Following Questions and Answers are all new published by HP Official Exam Center

-  **Instant Download** After Purchase
-  **100% Money Back** Guarantee
-  **365 Days** Free Update
-  **800,000+** Satisfied Customers



**QUESTION 1**

An HP IRF virtual switch with two members is implementing SPBM. The administrator wants to ensure that the master can fail without causing topology changes or changes in forwarding tables in the SPBM region. Which setting helps support this requirement?

- A. tandem replication for multicasts
- B. persistent MAC address for IRF
- C. Bidirectional Forwarding Detection (BFD) Multi-Active Detection (MAD) for the IRF link
- D. non-stop-forwarding for SPBM

Correct Answer: C

---

**QUESTION 2**

How does a non-hierarchical VPLS Martini solution prevent looping for broadcasts and multicasts?

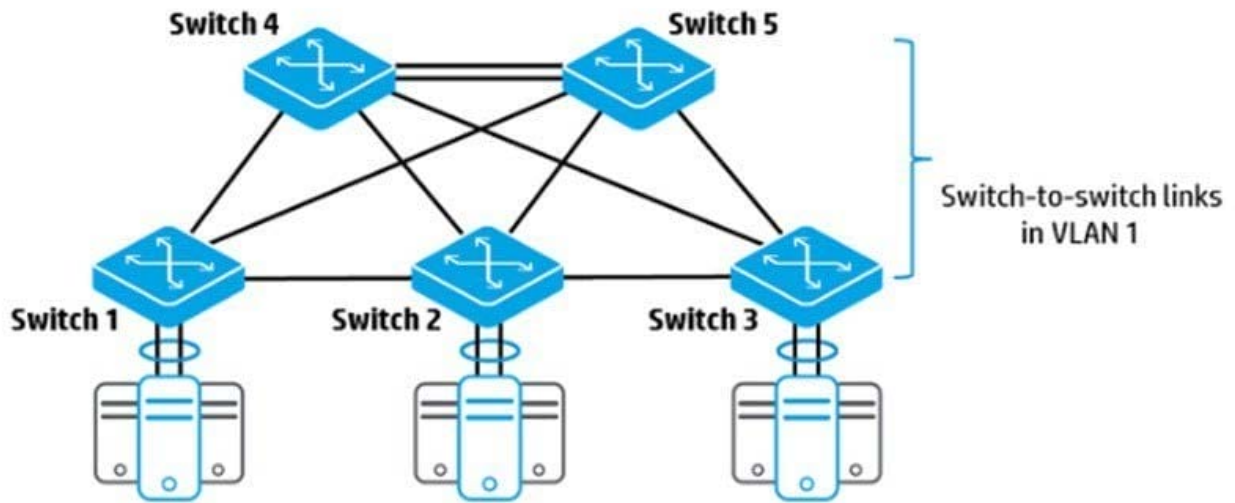
- A. PEs use a hub and spoke topology, relying on the hub to distribute broadcasts and multicasts.
- B. PEs use split horizon operations, never forwarding a packet received on a pseudo wire (PW) over another PW.
- C. PEs implement Shortest Path Bridging (SPB) VLAN Mode (SPBV).
- D. PEs implement a version of Spanning Tree Protocol (STP), preferably Multiple STP (MSTP).

Correct Answer: B

---

**QUESTION 3**

Refer to the exhibit



An administrator wants these switches to establish a TRILL region. TRILL is enabled globally and nicknames are set. What must the administrator do so that each TRILL switch (RBridge) finds the best path to all other TRILL switches?

- A. Configure IS-IS on VLAN 1 on all the switches.
- B. Enable TRILL with the correct link-type on each switch-to-switch port
- C. Configure DRB priorities on all switch-to-switch links.
- D. Create a Virtual Service Instance (VSI) on each switch and define the other switches as TRILL peers.

Correct Answer: B

#### QUESTION 4

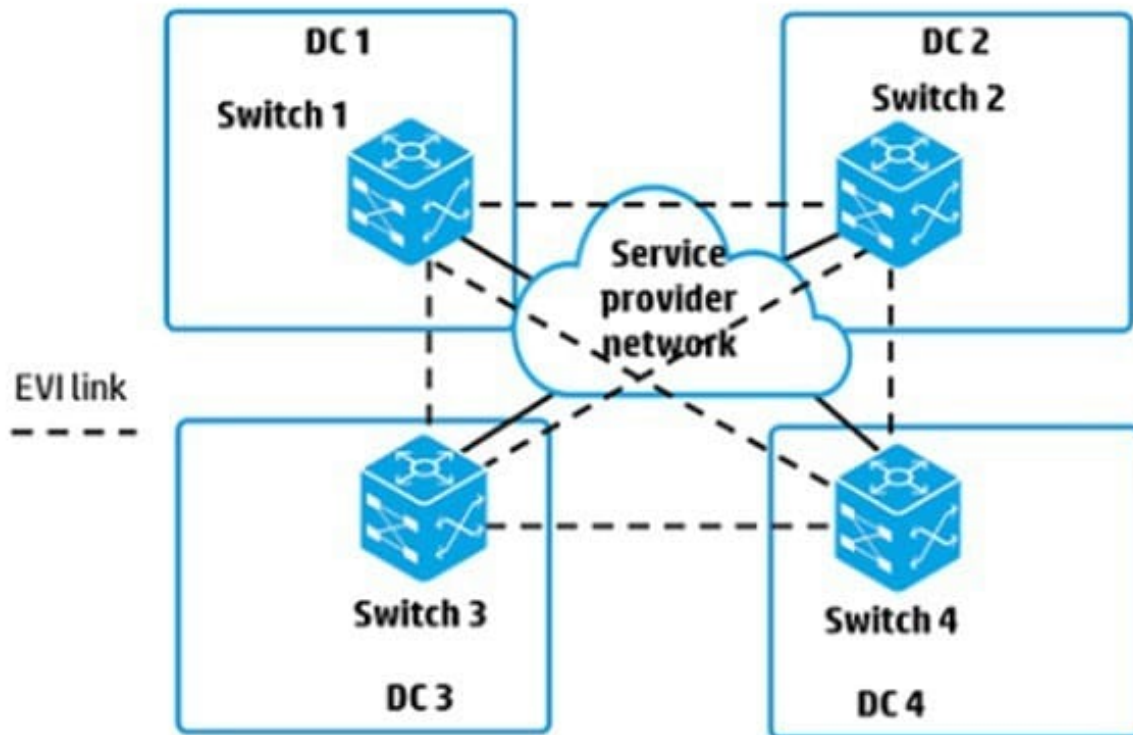
An HP IRF virtual switch with two members is implementing TRILL. The administrator wants to ensure that the master can fail without causing topology changes or changes in forwarding tables in the TRILL region. Which setting helps support this requirement?

- A. Graceful Restart for TRILL
- B. Bidirectional Forwarding Detection (BFD) Multi-Active Detection (MAD) for the IRF link
- C. calculation of at least two trees
- D. non-stop-forwarding for TRILL

Correct Answer: B

#### QUESTION 5

Refer to the exhibit. An administrator is creating the EVI network shown in the exhibit. Switches 1 and 2 are configured as ENDP servers, and Switch 3 is configured as an ENDP client to the ENDP servers. Which configuration is correct for the EVI tunnel interface on Switch 3?

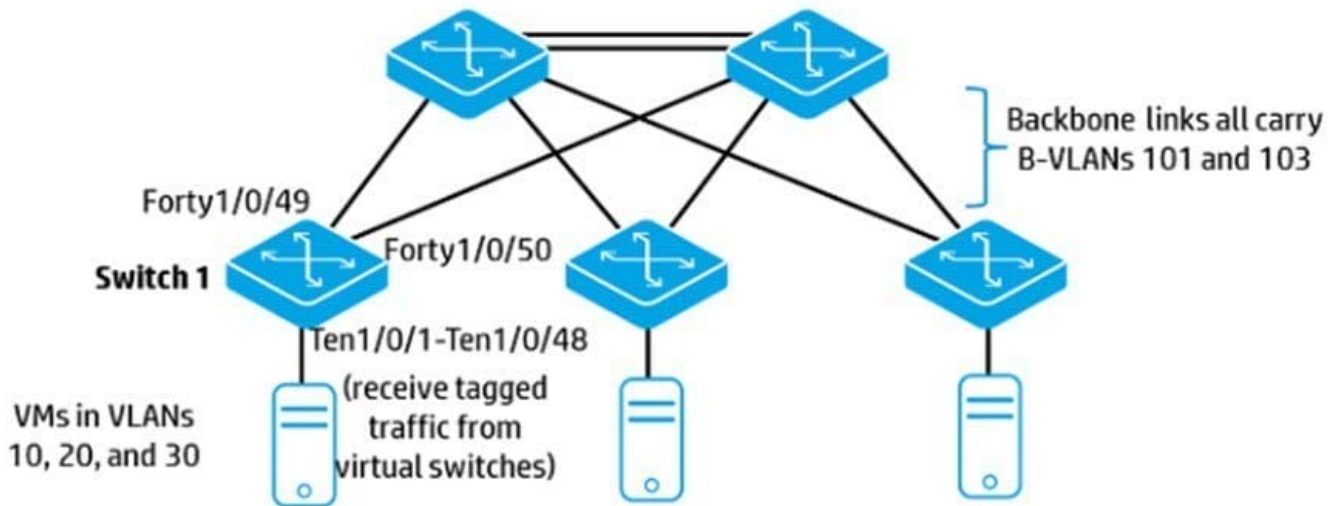


- A. The source IP address is the switch router ID; the addresses for switches 1, 2, and 4 need to be set as destinations
- B. The source IP address is the address on the connection to the service provider; no other destination IP addresses need to be set.
- C. The source IP address is the address on the connection to the service provider; the addresses for switches 1, 2, and 4 need to be set as destinations
- D. The source IP address is the switch router ID; no other destination IP addresses need to be set.

Correct Answer: C

#### QUESTION 6

Refer to the exhibit These switches form an SPBM region. What is required for load balancing to occur across the links between these switches?



- A. IS-IS cost for each backbone link must be the same (with IS-IS ECMP enabled).
- B. B-VLANs must be configured to use different ECT algorithms.
- C. Tandem multicast mode must be enabled globally
- D. B-VLANs must be assigned to different MSTP instances.

Correct Answer: C

#### QUESTION 7

An HP Comware switch supports FCoE in Fibre Channel Forwarder (FCF) mode. A switch interface Ten1/0/1 connects to a server FCoE Converged Network Adapter (CNA). The CNA transmits normal data traffic, which is tagged for VLANs 4 and 8. and storage traffic for VSAN 2, which is associated with VLAN

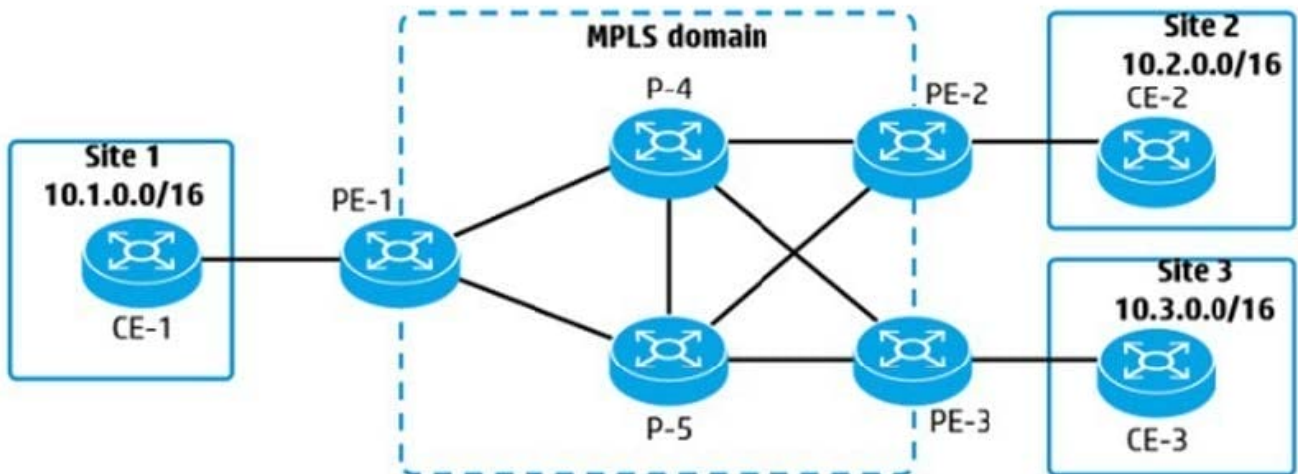
20. What is a correct port type and VLAN configuration for Ten 1/0/1?

- A. a hybrid port that has PVID 1 and defines VLANs 4 and 8 as tagged
- B. a trunk port that has PVID 20 and permits VLANs 4. 8. and 20
- C. a hybrid port that has PVID 1. defines VLAN 20 as untagged, and defines VLANs 4 and 8 as tagged
- D. a trunk port that has PVID 1 and permits VLANs 4. 8. and 20

Correct Answer: D

#### QUESTION 8

Refer to the exhibit



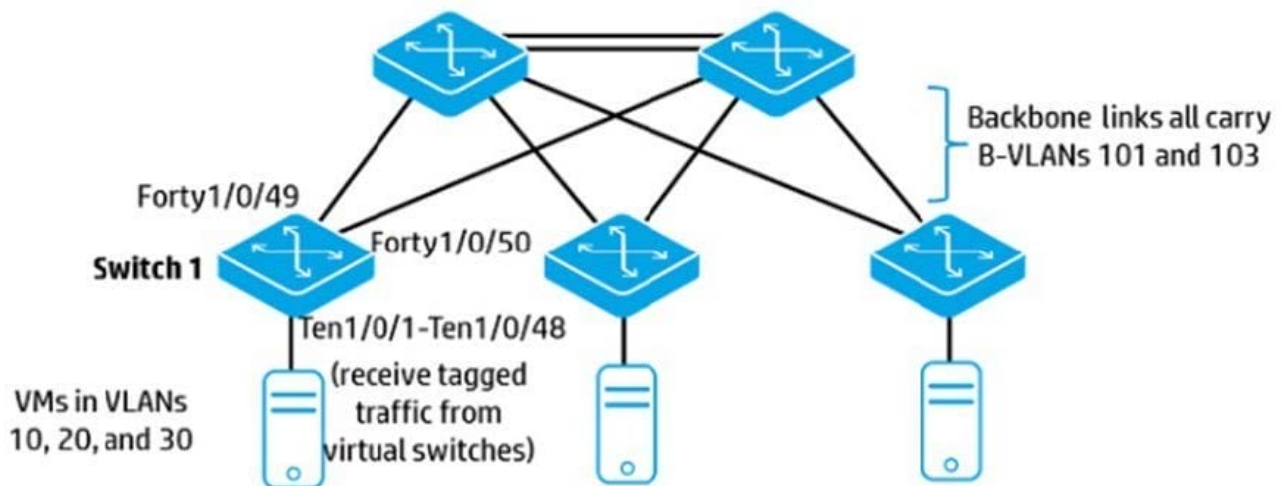
An administrator is planning an MPLS solution and wants to make sure that traffic from 10.1.0.0/16 to 10.2.0.0/16 takes the best path. The solution is not using Traffic Engineering (TE). How does PE-1 choose between the label advertised for 10.2.0.0/16 by P-4 and by P-5?

- A. based on which peer is the higher priority LDP peer
- B. based on which peer is the next hop in the best route in the IP routing table
- C. based on which link has the lower LDP cost
- D. based on which link has the lower MPLS cost

Correct Answer: B

### QUESTION 9

Refer to the exhibit An administrator is setting up this data center topology to use SPBM VMs in the same subnet should be able to communicate at Layer 2 and be isolated at Layer 2 from other subnets. On which Switch 1 interfaces should the administrator enable SPBM?





- A. interfaces Ten1/0/1-Ten1/0/48 and interfaces Forty1/0749-1/0750
- B. interfaces Forty 1/0749-1/075 only
- C. VLAN interfaces 101 and 103
- D. VLAN interfaces 10, 20, and 30

Correct Answer: C

---

#### QUESTION 10

What is the relationship between a Forwarding Equivalence Class (FEC) and the MPLS label that a Label Switching Router (LSR) advertises for that FEC?

- A. An LSR assigns the same label to FECs with the same best next hop: labels remain constant across the MPLS domain
- B. The LSR assigns a unique label to each FEC, but labels assigned by different LSRs do not necessarily match.
- C. The LSR assigns a unique label to each FEC. and that label remains constant across the MPLS domain
- D. An LSR assigns the same label to FECs with the same best next hop; labels assigned by different LSRs do not necessarily match

Correct Answer: D

[HP2-Z34 PDF Dumps](#)

[HP2-Z34 Study Guide](#)

[HP2-Z34 Exam Questions](#)