

**Exam : HP0-752**

**Title : ProCurve Mobility**

**Version : DEMO**

www.Pass4itSure.com

**1. When does supplemental authentication occur?**

- A. after both the open-key 802.11 authentication and the 802.11 association are completed successfully
- B. after both the shared-key 802.11 authentication and the 802.11 association are completed successfully
- C. after the open-key 802.11 authentication is completed successfully but before the 802.11 association process begins
- D. after the shared-key 802.11 authentication is completed successfully but before the 802.11 association process begins

**Correct: A**

**2. Which statement describes a closed system?**

- A. In a closed system, the wireless network name is encrypted in the 802.11 header.
- B. In a closed system, the wireless network name cannot be detected in any 802.11 frames.
- C. In a closed system, the wireless network name is not advertised in the 802.11 beacon frame.
- D. In a closed system, the wireless network name is not included in the header of any 802.11 frames.

**Correct: C**

**3. Which statements describe 802.11a? (Select two.)**

- A. It interferes with 802.11b/g.
- B. It requires support for 802.11h in Europe.
- C. It experiences interference from microwaves.
- D. It has higher data rates than 802.11b.
- E. It was the first adopted and most widely used standard.

**Correct: B D**

**4. You configure two access points (APs) to support a single wireless LAN (WLAN). One station associates with one AP, and one station associates with the other AP. What do the two stations have in common?**

- A. wireless cell
- B. service set identifier (SSID)
- C. basic service set identifier (BSSID)
- D. independent basic service set identifier (IBSSID)

**Correct: B**

**5. In which mode does the ProCurve Access Point (AP) 420 operate?**

- A. mixed-cell mode
- B. in-cell relay mode
- C. peer-to-peer mode
- D. infrastructure mode

**Correct: D**

**6. ProCurve Mobility Infrastructure Solutions help you meet the challenges posed by a wireless network (as compared to a traditional wired network). What is one of these challenges?**

- A. 802.11 standards do not provide any guidelines for Layer 2 roaming.
- B. Studies have found that users tend to be less productive when they have mobile access to a network.
- C. Multiple users connect to the network through the same access point (AP), but access must be customized for each user.
- D. 802.11 standards do not provide any encryption, so you must create virtual private network (VPN) tunnels to each end station.

**Correct: C**

**7.What is one reason to choose ProCurve's Wireless LAN System over its standalone AP solution?**

- A.Your network requires many wireless devices that are managed from a central location.
- B.You need your wireless network solution to provide RADIUS services.
- C.Your network requires Layer 3 roaming and advanced authentication options.
- D.You want to manage your wireless network using ProCurve Manager (PCM) Plus.

**Correct:A**

**8.When configuring a Wireless LAN (WLAN) on the ProCurve Wireless Edge Services xl Module, you can use Normal mode or Advanced mode. Why would you use Advanced mode, rather than Normal mode?**

- A.You want to configure 16 WLANs.
- B.You want to customize the transmit power for only one RP.
- C.You want one WLAN to be supported on only one of the RPs.
- D.You want the adopted Radio Ports (RPs) to beacon a WLAN that has an index number of 4.

**Correct:C**

**9.Which ProCurve Wireless LAN System feature protects your company if a Radio Port (RP) fails?**

- A.redundancy group
- B.network self-healing
- C.interference avoidance
- D.radio frequency (RF) patching

**Correct:B**

**10.Which statement describes a ProCurve Radio Port (RP)?**

- A.If you change an RP's configuration, you must always reload the RP before that configuration can take effect.
- B.When the RP receives a wireless frame, it removes the 802.11 header and replaces it with an Ethernet header.
- C.When the RP receives wireless traffic from stations, it encapsulates that traffic before sending it to the Wireless Edge Services xl Module.
- D.After receiving a configuration from the Wireless Edge Services xl Module, the RP saves that configuration to its internal flash.

**Correct:C**

**11.Which type of message does a Radio Port (RP) transmit so that a ProCurve Wireless Edge Services xl Module can detect it on the network?**

- A.Inter-Access Point Protocol (IAPP)
- B.Address Resolution Protocol (ARP)
- C.Link Layer Discovery Protocol (LLDP)
- D.Internet Control Message Protocol (ICMP)

**Correct:C**

**12.A company installs the ProCurve Wireless LAN System and requires two Radio Ports (RPs) for the cafeteria. One RP must be installed outside and one RP must be installed inside. Both RPs must support 802.11a, b, and g. Which RPs should the company purchase?**

- A.two RP 210s
- B.one RP 220 and one RP 230
- C.one RP 220 and one RP 210
- D.one RP 230 and one RP 210

**Correct:B**

13.You connect a Radio Port (RP) to a ProCurve Switch 2600-PWR Series, which is connected to a wireless services-enabled switch. On the 2600-PWR Switch, port 5 connects to the RP, and port 1 connects to the wireless services-enabled switch. The 2600-PWR Switch is sending traffic from other VLANs to the wireless services-enabled switch. Which commands must you enter on the 2600-PWR Switch to enable the Wireless Module to detect the RP? (Select two.)

- A.vlan 2100 tagged 1
- B.vlan 2100 tagged 5
- C.vlan 2100 untagged 5
- D.vlan 2100 untagged 1
- E.autoprovisioning enable

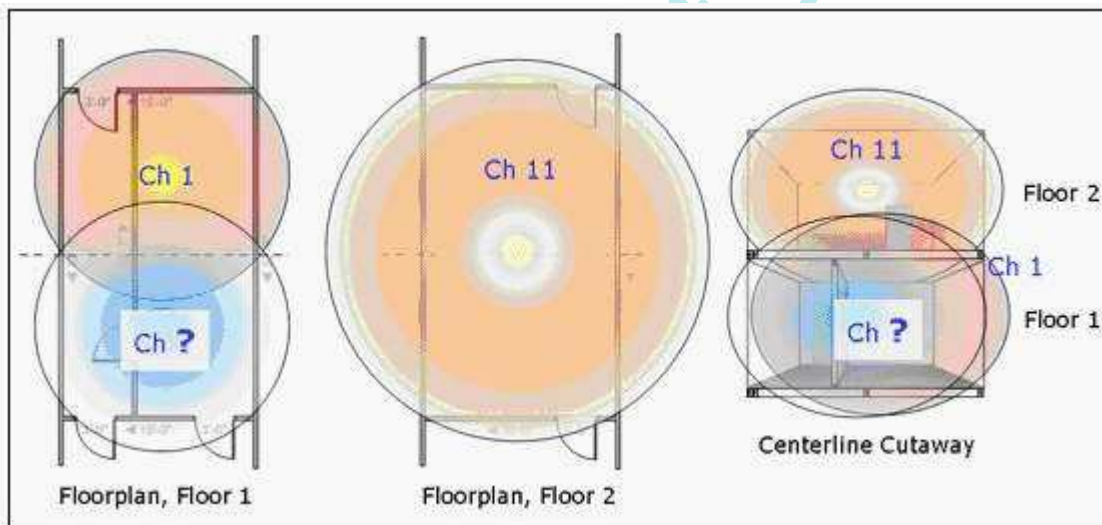
**Correct:A C**

14.Which virtual LAN (VLAN) or VLANs are automatically created on the wireless services-enabled switch if auto-provisioning is enabled?

- A.Radio Port VLAN
- B.the VLAN assigned to WLAN 1
- C.any dynamic VLAN assigned to wireless users
- D.any VLAN created on the Wireless Edge Services xl Module

**Correct:A**

15.Click the Exhibit button. Which channel should you select for the cell with the question mark?



- A.4
- B.6
- C.8
- D.10
- E.12

**Correct:B**

16.Which steps should you take during a site survey to test the coverage provided by access points (APs) or Radio Ports (RPs)? (Select two.)

- A.Analyze the signal to noise ratio (SNR) at different hours of operation.
- B.Set up wireless bridges between the APs to ensure that they can reach each other.
- C.Configure encryption keys and attempt to crack them using readily-available software.

- D. Look for areas of overlap between nearby cells and set overlapping cells to different channels.
- E. Compare the coverage provided by an RP 210 and an RP 230, and decide between the products.

**Correct: A D**

**17. For which scenario might you recommend the use of 802.11 pure-g mode?**

- A. a public wireless network for customers and contractors
- B. an environment with potential interference from military radar
- C. a controlled environment with the latest high-tech equipment
- D. a wireless network that carries sensitive financial information

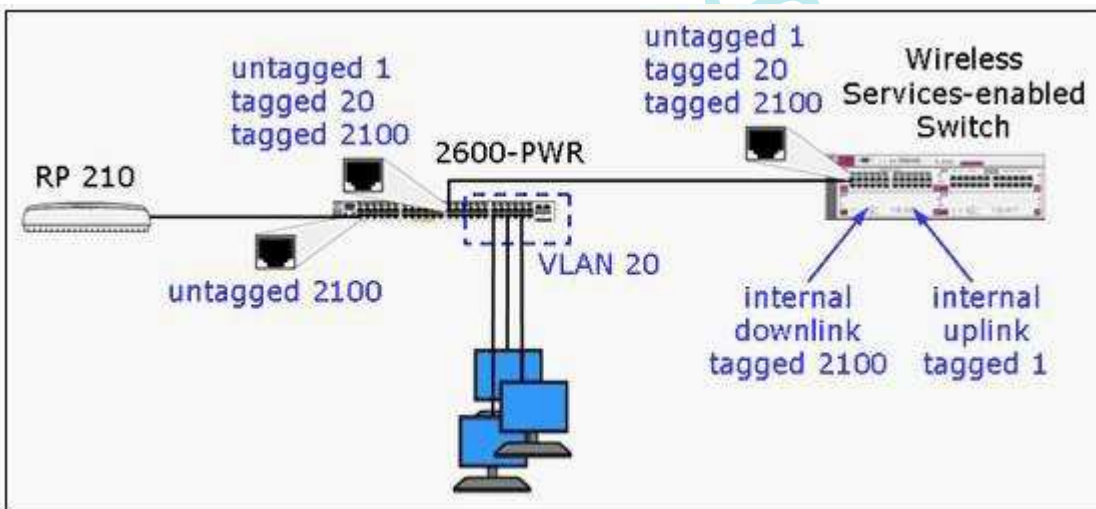
**Correct: C**

**18. Ten stations are associated to a ProCurve Access Point (AP) 530 radio, and all are downloading data. Each station is operating at the 54 Mbps data rate. What average throughput can any individual user most realistically expect?**

- A. 2 Mbps
- B. 6 Mbps
- C. 27 Mbps
- D. 54 Mbps

**Correct: A**

**19. Click the Exhibit button. The ProCurve Radio Port (RP) shown in the exhibit has not been adopted by the Wireless Edge Services xl Module. What could be the reason?**



- A. The Wireless Edge Services xl Module runs rogue AP detection.
- B. The switch port that connects to the RP enforces 802.1X authentication.
- C. The switch port that connects to the RP should be tagged for VLAN 2100.
- D. The Wireless Module's internal uplink port should be untagged for VLAN 2100.

**Correct: B**

**20. Your company is setting up a wireless network using a ProCurve Access Point (AP) 420. Users throughout the building complain that they cannot see the name for your wireless network in their wireless client utilities. You ping the AP 420 and receive a response. What might be the problem? (Select two.)**

- A. The AP's country code has not been set.
- B. The AP has failed to boot.
- C. The AP uses a different security option than the users' stations do.

D.The AP operates in open system, but users' stations operate in closed system.

E.The AP's radio has been dedicated to AP detection.

**Correct:A E**

[www.Pass4itSure.com](https://www.Pass4itSure.com)

# Trying our product !

- ★ **100%** Guaranteed Success
- ★ **100%** Money Back Guarantee
- ★ **365 Days** Free Update
- ★ **Instant Download** After Purchase
- ★ **24x7** Customer Support
- ★ Average **99.9%** Success Rate
- ★ More than **69,000** Satisfied Customers Worldwide
- ★ Multi-Platform capabilities - **Windows, Mac, Android, iPhone, iPod, iPad, Kindle**

## Need Help

Please provide as much detail as possible so we can best assist you.

To update a previously submitted ticket:



Submit A Ticket

### One Year Free Update



Free update is available within One Year after your purchase. After One Year, you will get 50% discounts for updating. And we are proud to boast a 24/7 efficient Customer Support system via Email.



### Money Back Guarantee

To ensure that you are spending on quality products, we provide 100% money back guarantee for 30 days from the date of purchase.



### Security & Privacy

We respect customer privacy. We use McAfee's security service to provide you with utmost security for your personal information & peace of mind.

## Guarantee & Policy | Privacy & Policy | Terms & Conditions

Any charges made through this site will appear as Global Simulators Limited.

All trademarks are the property of their respective owners.

Copyright © 2004-2014, All Rights Reserved.