

Exam : **HP0-450**

Title : OpenVMS v7 Advanced
Administration.
Performance and Support

Version : DEMO

www.Pass4itSure.com

1.Which command associates a process or initial thread with a specific processor in an SMP system?

- A.SET PROCESS / ASSOCIATION / SET=1
- B.SET PROCESS / AFFINITY / SET=1
- C.SET PROCESS / CAPABILITY / SET=1
- D.SET PROCESS / PERMANENT / SET=1

Correct:B

2.Which performance statistic indicates the HIGHWATER_MARKING disk volume attribute is NOT contributing to the system performance slowdown? Click the Exhibit button.

| OpenVMS Monitor Utility | | | | |
|---|-------|-------|-------|--------|
| FILE PRIMITIVE STATISTICS on node PLUTO | | | | |
| 5-APR-2001 15:54:55.07 | | | | |
| | CUR | AVE | MIN | MAX |
| FCP Call Rate | 94.00 | 45.73 | 14.39 | 162.00 |
| Allocation Rate | 2.59 | 1.16 | 0.00 | 13.19 |
| Create Rate | 3.59 | 0.88 | 0.00 | 5.59 |
| Disk Read Rate | 10.80 | 4.05 | 0.40 | 49.00 |
| Disk Write Rate | 15.00 | 5.70 | 0.20 | 20.39 |
| Volume Lock Wait Rate | 0.00 | 0.00 | 0.00 | 0.00 |
| CPU Tick Rate | 5.19 | 2.62 | 0.40 | 8.39 |
| File Sys Page Fault Rate | 4.19 | 2.08 | 0.00 | 8.39 |
| Window Turn Rate | 32.59 | 15.34 | 0.00 | 48.59 |
| File Lookup Rate | 34.00 | 23.38 | 5.80 | 57.79 |
| File Open Rate | 66.00 | 16.80 | 4.80 | 66.00 |
| Erase Rate | 0.00 | 0.00 | 0.00 | 0.00 |

- A.Create Rate
- B.Window Turn Rate
- C.Erase Rate
- D.Volume Lock Wait Rate

Correct:C

3.Which category from the MONITOR PAGE display indicates a hard page fault?

- A.Free List Fault Rate
- B.Page Read I/O Rate
- C.Modified List Fault Rate
- D.Demand Zero Fault Rate

Correct:B

4.The current value of NPAGEDYN is 24,000,000. Installation of a layered product requires nonpaged dynamic memory to be increased by 60,000 bytes. Which command sequence is correct?

- A.\$ APPEND SYS\$SYSTEM: MODPARAMS.DAT SYS\$INPUT: ADD_NPAGEDYN=60000 \$ @SYS\$UPDATE:AUTOGEN SAVPARAMS SETPARAMS Reboot the system
- B.\$ MCR SYSGEN SYSGEN> SET NPAGEDYN 60000 SYSGEN> EXIT Reboot the system
- C.\$ MCR SYSMAN SYSMAN> SET ENVIRONMENT/CLUSTER SYSMAN> PARAMETER SET NPAGEDYN 24060000 SYSMAN> PARAMETER WRITE ACTIVE SYSMAN> EXIT

D.\$ SET MEMORY/NPAGEDYN=24060000 \$ @SYS\$UPDATE:AUTOGEN SAVPARAMS SETPARAMS
Reboot the system

Correct:A

**5.What do these commands accomplish when applied to an indexed file named DATABASE.DAT?
\$ CONVERT DATABASE.DAT DATABASE.NEW \$ RENAME DATABASE.NEW DATABASE.DAT**

- A.Ensure DATABASE.DAT is contiguous
- B.Change the file structure type of DATABASE.DAT
- C.Clean up the internal structure of DATABASE.DAT
- D.Convert DATABASE.DAT from ASCII format to binary

Correct:C

6.To optimize backup efficiency properly, what has the largest effect on backup performance?

- A.backup user account quotas
- B.command line specification for /BLOCK_SIZE
- C.omitting /CRC and /GROUP_SIZE in the command line
- D.using tape devices that support streaming and compaction only

Correct:A

7.SYSMAN commands are not executing as expected in the cluster. When troubleshooting, it is helpful to know that the SMISERVER process is normally in which state?

- A.CEF
- B.HIB
- C.COM
- D.CUR

Correct:B

8.Immediately after logging onto the system, the system administrator attempts to add a new user as shown: \$ RUN SYS\$SYSTEM:AUTHORIZE %UAF-E-NAOFIL, unable to open system authorization file (SYSUAF.DAT) -RMS-E-FNF, file not found Do you want to create a new file? What do the messages indicate?

- A.The administrator has insufficient privileges.
- B.The system authorization file has been deleted.
- C.The system authorization file is corrupt.
- D.The logical name SYSUAF is not defined.

Correct:D

9.Which command results in a reliable backup of an active SYSUAF.DAT?

- A.\$ COPY SYSUAF.DAT SYSUAF.SAVE
- B.\$ BACKUP/IGNORE=INTERLOCK SYSUAF.DAT SYSUAF.SAVE
- C.\$ CONVERT/SHARE SYSUAF.DAT SYSUAF.SAVE
- D.\$ BACKUP SYSUAF.DAT SYSUAF.SAVE

Correct:C

10.What does the GALAXY system parameter do?

- A.controls participation of the instance in a GALAXY sharing set
- B.defines the number of instances in a hard partition
- C.defines the number of CPUs that are assigned to an instance
- D.limits the amount of shared memory in a GALAXY community

Correct:A

11.Which task requires the wwidmgr command?

- A.Setting up boot or dump devices accessed through a Fibre Channel adapter
- B.Setting a preferred path on an HSG controller
- C.Controlling the operation of multipath failover
- D.Setting the port allocation class in a Fibre Channel device

Correct:A

12.Fast Path is enabled on an SMP system, but all I/O operations appear to be using the primary CPU. Which parameter should be checked?

- A.CPU_AFFINITY
- B.PREFERRED_CPU
- C.PREFERRED_PATH
- D.IO_PREFER_CPUS

Correct:D

13.What is the primary function of the Node Synonym in DECnet-Plus?

- A.enables back-translation address resolution
- B.implements address resolution for DECnet over TCP/IP
- C.permits use of DECnet Phase IV style nodename
- D.simplifies NCL command files

Correct:C

14.The system manager issues the command: \$ SET AUDIT/AUDIT/ENABLE=FILE=FAIL=ALL Where will file access failure audit messages be sent?

- A.the operator console
- B.the audit journal file
- C.the audit journal file and the operator console
- D.nowhere, the command syntax is invalid

Correct:B

15.Which command procedure adds a satellite node to an OpenVMS cluster that uses TCP/IP as the networking transport?

- A.TCPIP\$CONFIG.COM
- B.CLUSTER_CONFIG_LAN.COM
- C.CLUSTER_CONFIG.COM
- D.SYSTARTUP_VMS.COM

Correct:B

16.Which system parameter is used to design a cluster so that a specific node or nodes will master the majority of resource trees?

- A.LOCKDIRWT
- B.SCSRESPCNT
- C.LCKMGR_NODES
- D.CLUSTER_CREDITS

Correct:A

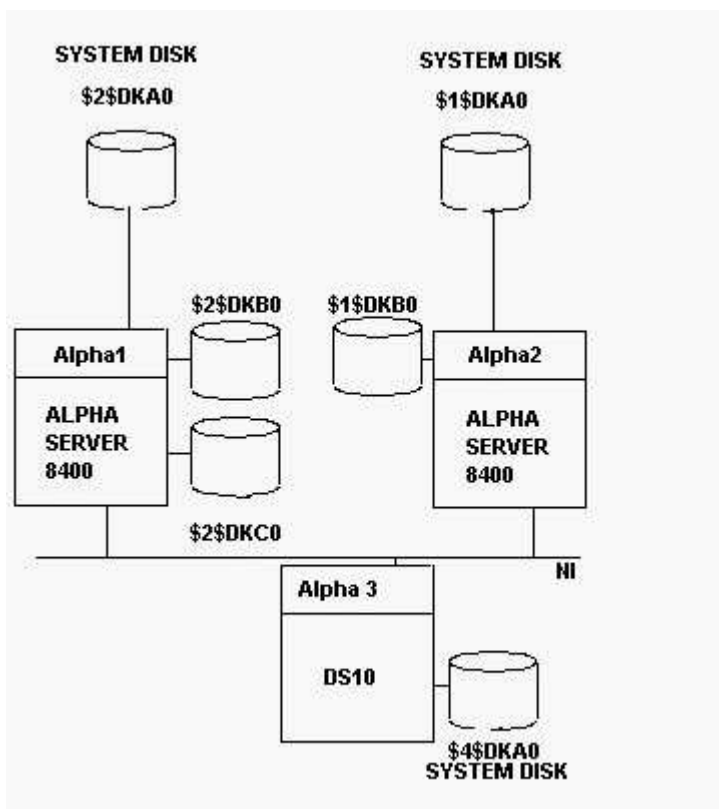
17.After installing an FDDI adapter, the system manager activates TCPIP on the interface with the command: TCPIP> SET INTERFACE FF0 /HOST=KESTREL /NETWORK_MASK=255.255.0.0 /BROADCAST_MASK=128.30.0.0 /ARP After the next reboot, TCPIP is not running on the interface. What should have been done to ensure the interface was started automatically when the system

rebooted?

- A. Modify TCPIP\$SYSTARTUP.COM to configure the interface.
- B. Modify VMS\$DEVICE_STARTUP.COM to configure the interface.
- C. Issue a TCPIP DEFINE INTERFACE command.
- D. Issue a TCPIP SET CONFIGURATION INTERFACE command.

Correct: D

18. The customer is using an OpenVMS cluster as shown in this exhibit. The user application is running on ALPHA1 and ALPHA2. Node ALPHA3 exists only as a quorum node. How do you set up the configuration to place all the Cluster Environmental Files so that a user can login, if either ALPHA1 or ALPHA2 fails? Click the Exhibit button.



- A. Copy Cluster Environmental Files to both system disks \$1\$DKA0 and \$2\$DKA0
- B. Build a new shadowset of \$1\$DKB0 and \$2\$DKB0 for the Cluster Environmental Files
- C. Place Cluster Environmental Files on a new shadowset \$1\$DKA0 and \$2\$DKC0
- D. Build a shadowset of \$1\$DKA0 and \$2\$DKA0 and use it as a common system disk

Correct: B

19. Which system process must be running to automatically find new MSCP served storage devices?

- A. IPCACP
- B. JOB_CONTROLLER
- C. SHADOW_SERVER
- D. CONFIGURE

Correct: D

20. The SHOW INTRUSION command returns an error status of SERVERNOTACTIVE. Which system process needs to be restarted?

- A.AUDIT_SERVER
- B.CLUSTER_SERVER
- C.CACHE_SERVER
- D.SECURITY_SERVER

Correct:D

www.Pass4itSure.com

Trying our product !

- ★ **100%** Guaranteed Success
- ★ **100%** Money Back Guarantee
- ★ **365 Days** Free Update
- ★ **Instant Download** After Purchase
- ★ **24x7** Customer Support
- ★ Average **99.9%** Success Rate
- ★ More than **69,000** Satisfied Customers Worldwide
- ★ Multi-Platform capabilities - **Windows, Mac, Android, iPhone, iPod, iPad, Kindle**

Need Help

Please provide as much detail as possible so we can best assist you.

To update a previously submitted ticket:



Submit A Ticket

One Year Free Update



Free update is available within One Year after your purchase. After One Year, you will get 50% discounts for updating. And we are proud to boast a 24/7 efficient Customer Support system via Email.



Money Back Guarantee

To ensure that you are spending on quality products, we provide 100% money back guarantee for 30 days from the date of purchase.



Security & Privacy

We respect customer privacy. We use McAfee's security service to provide you with utmost security for your personal information & peace of mind.

Guarantee & Policy | Privacy & Policy | Terms & Conditions

Any charges made through this site will appear as Global Simulators Limited.

All trademarks are the property of their respective owners.

Copyright © 2004-2014, All Rights Reserved.