

**Exam** : **HP0-082**

**Title** : OpenVMS Advanced  
System  
Administration.Performance.  
Support

**Version** : DEMO

www.Pass4itSure.com

1. A customer requires a low-end OpenVMS cluster using Fibre Channel and shared storage.

Which configuration is the most appropriate solution for a limited budget?

- A. two servers with two Host Bus Adapters and two network cards each and an MSA1000
- B. two servers with one Host Bus Adapter and two network cards each, one Fibre Channel SAN switch, one pair of HSV100 controllers and a network switch
- C. two servers with two Host Bus Adapters and two network cards each, two Fibre Channel SAN switches, two pairs of HSV100 controllers and a network switch
- D. two servers with one Host Bus Adapter and one network card each, one Fibre Channel SAN switch and one pair of HSV100 controllers

**Answer: D**

2. Under which condition is enabling Fast Path likely to improve performance?

- A. in an SMP machine with the primary CPU saturated
- B. in a non-SMP machine with a saturated CPU
- C. in an SMP machine with an I/O bottleneck
- D. in a non-SMP machine with an I/O bottleneck

**Answer: A**

3. Which utility must be invoked after replacing a Fibre Channel tape device?

- A. SANCP
- B. INSTALL
- C. SYSMAN
- D. SYSGEN
- E. WWIDMGR

**Answer: C**

4. Why is the Dedicated CPU Lock Manager enabled?

- A. to monitor lock remastering
- B. to increase the availability of CPUs in an SMP system
- C. to decrease the number of resources on a CPU specific lock tree

D. to reduce MP Synchronization time on systems with heavy lock activity

**Answer: D**

5. Fast Path is enabled on an SMP system, but all I/O operations appear to be using the primary CPU.

Which parameter should be checked?

- A. CPU\_AFFINITY
- B. PREFERRED\_CPU
- C. IO\_PREFER\_CPUS
- D. PREFERRED\_PATH

**Answer: C**

6. A customer is losing old versions of a data file that must be kept. Which ACE will help to determine the cause?

- A. (IDENTIFIER=AUDIT, ACCESS=R+W+D+C+S)
- B. (AUDIT=SECURITY, ACCESS= R+W+D+C+S)
- C. (IDENTIFIER=AUDIT, OPTIONS=DEFAULT, ACCESS=R+W+D+C+F)
- D. (AUDIT=SECURITY, OPTIONS=DEFAULT, ACCESS= R+W+D+C+F)

**Answer: B**

7. What does the GALAXY system parameter do?

- A. defines the number of instances in a hard partition
- B. controls participation of the instance in a GALAXY memory sharing set
- C. defines the number of CPUs that are assigned to an instance
- D. limits the amount of shared memory in a GALAXY community

**Answer: B**

8. Which system parameter restricts the amount of physical memory that can be consumed by the eXtended File Cache (XFC)?

- A. XFC\_MAX\_CACHE
- B. VCC\_CACHE\_SIZE

C. FILE\_CACHE\_MAX

D. VCC\_MAX\_CACHE

**Answer: D**

9. What improvement results from issuing the following command?

SET RMS\_DEFAULT/QUERY\_LOCK=DISABLE

A. read performance for all files

B. read performance for shared files

C. read and write performance for all files

D. read and write performance for shared files

**Answer: B**

10. Which process scheduling priority is a real-time priority?

A. 4

B. 8

C. 16

D. 64

**Answer: C**

11. Click the Exhibit button.

Which statement is true?

```

$ SHOW MEMORY/POOL/FULL
System Memory Resources on 9-MAY-2001 06:36:36.79

Nonpaged Dynamic Memory (Lists + Variable)
Current Size (bytes)      14123008 Current Size (pagelets)  27584
Initial Size             3538944 Initial Size (pagelets)  6912
Maximum Size            14123008 Maximum Size (pagelets)  27584
Free Space (bytes)       55712 Space in Use (bytes)    3071360
Largest Variable Block   6784 Smallest Variable Block  64
Number of Free Blocks    206 Free Blocks LEQU 64 Bytes  156
Free Blocks on Lookasides 90 Lookaside Space (bytes)  6448

(Bus Addressable Memory requests use Nonpaged Dynamic Memory)

Paged Dynamic Memory
Current Size (PAGEDYN)  2285568 Current Size (pagelets)  4464
Free Space (bytes)      1318032 Space in Use (bytes)     967536
Largest Variable Block  1314112 Smallest Variable Block  16
Number of Free Blocks   95 Free Blocks LEQU 64 Bytes  90

Lock Manager Dynamic Memory
Current Size (Mbytes)    1.46 Current Size (pages)     187
Free Space (Mbytes)      0.45 Hits                     23925
Space in Use (Mbytes)    1.00 Misses                    0
Number of Empty Pages    38 Expansions              187
Number of Free Packets   1881 Packet Size (bytes)      256
    
```

- A. Paged Dynamic Memory is badly fragmented.
- B. Nonpaged Dynamic Memory should be increased.
- C. Lock Manager Dynamic Memory should be increased.
- D. Lookaside space is too small for optimal performance.

**Answer:** B

12. Click the Exhibit button.

Which statement regarding the system parameters is true?

```

$ SHOW MEMORY/POOL/FULL
      System Memory Resources on 9-MAY-2001 06:36:36.79

Nonpaged Dynamic Memory (Lists + Variable)
  Current Size (bytes)    14123008  Current Size (pagelets)  27584
  Initial Size           3538944  Initial Size (pagelets)   6912
  Maximum Size           14123008  Maximum Size (pagelets)  27584
  Free Space (bytes)     55712    Space in Use (bytes)     3071360
  Largest Variable Block  6784     Smallest Variable Block   64
  Number of Free Blocks   206     Free Blocks LEQU 64 Bytes 156
  Free Blocks on Lookasides 90      Lookaside Space (bytes)  6448

(Bus Addressable Memory requests use Nonpaged Dynamic Memory)

Paged Dynamic Memory
  Current Size (PAGEDYN) 2285568  Current Size (pagelets)  4464
  Free Space (bytes)     1318032  Space in Use (bytes)     967536
  Largest Variable Block 1314112  Smallest Variable Block   16
  Number of Free Blocks   95      Free Blocks LEQU 64 Bytes 90

Lock Manager Dynamic Memory
  Current Size (Mbytes)   1.46     Current Size (pages)     187
  Free Space (Mbytes)     0.45     Hits                     23925
  Space in Use (Mbytes)   1.00     Misses                   0
  Number of Empty Pages   38      Expansions               187
  Number of Free Packets  1881    Packet Size (bytes)     256
    
```

- A. GBLPAGFIL is too small.
- B. PAGEDYN should be reduced.
- C. NPAGEDYN should be increased.
- D. LCKMGRDYN should be increased.

**Answer: C**

13. Many processes on a system are in RWMPB or RWPFW state. What is a probable cause?

- A. Lock requests are stalled.
- B. The look-aside lists are full.
- C. The page file is full.
- D. The paged pool has expanded.

**Answer: C**

14. Users are reporting that the system is running slower than normal. The information displayed by a MONITOR MODES command indicates that the INTERRUPT mode usage is much higher than normal.

What is a possible cause?

- A. Excessive use of RMS is occurring.
- B. The base priority of users has increased.

- C. DCL programs are running on the system.
- D. There is an increase in distributed lock processing.

**Answer: D**

15. A privileged kernel mode program is designed to operate on an SMP system. Which synchronization technique coordinates access to shared memory management structures?

- A. paging
- B. spinlocks
- C. mailboxes
- D. event flags

**Answer: B**

16. Which synchronization mechanism allows cooperating processes to coordinate their access to a named resource in a clustered environment?

- A. mutex
- B. spinlock
- C. logical names
- D. distributed lock manager

**Answer: D**

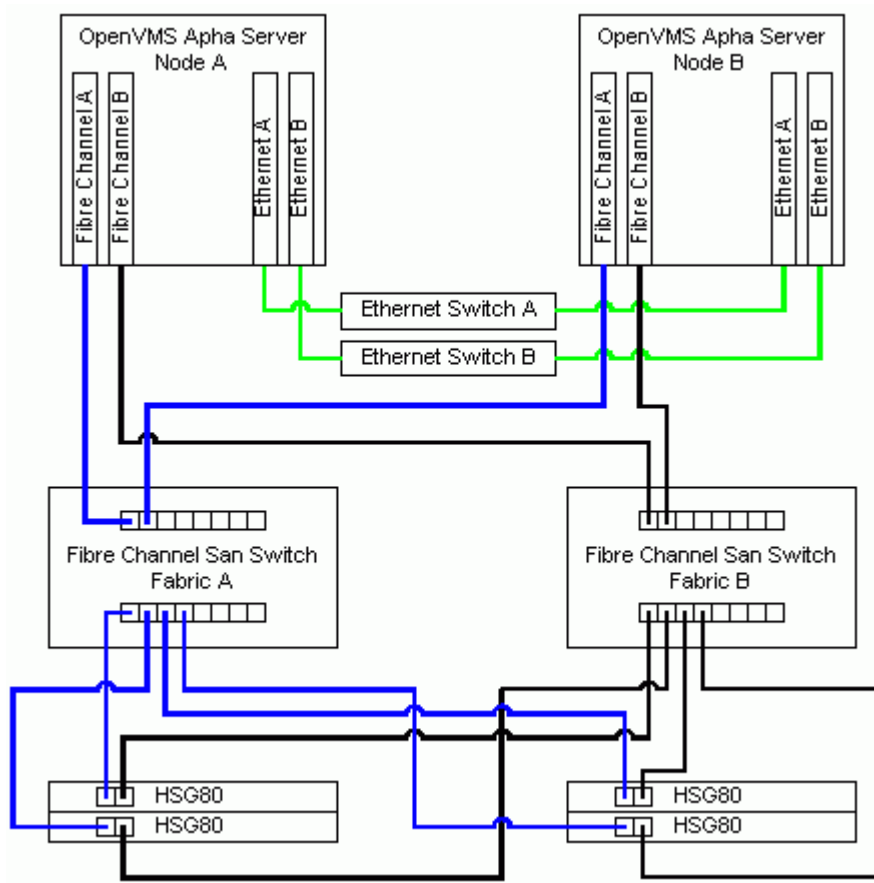
17. Which LINK qualifier will prevent an image from being installed with privilege?

- A. /SYSTEM
- B. /NOSYSLIB
- C. /TRACEBACK
- D. /SECTION\_BINDING=CODE

**Answer: C**

18. Click the Exhibit button.

Which term best describes the OpenVMS cluster shown in the exhibit?



- A. fault tolerant
- B. non-redundant
- C. highly available
- D. disaster tolerant

machine with an I/O bottleneck

- D. in a non-SMP machine with an I/O bottleneck

**Answer: C**

19. Which pair of interconnects supports a multi-site cluster separated by more than 50km?

- A. CI and Memory Channel
- B. Fibre Channel and Ethernet
- C. CI and FDDI
- D. Memory Channel and Fibre Channel

**Answer: B**



20. An OpenVMS Integrity server was added to an existing OpenVMS Alpha cluster, sharing the existing SYSUAF.DAT. Users running a migrated application on the Integrity server experience occasional problems related to UAF quotas.

Which group of quotas is most likely responsible?

- A. BIOLM, DIOLM, TQELM
- B. ENQLM, FILLM, JTQUOTA
- C. BYTLM, PGFLQUO, WSQUO
- D. ASTLM, PRCLM, WSEXTENT

**Answer: C**

www.Pass4itSure.com

# Trying our product !

- ★ **100%** Guaranteed Success
- ★ **100%** Money Back Guarantee
- ★ **365 Days** Free Update
- ★ **Instant Download** After Purchase
- ★ **24x7** Customer Support
- ★ Average **99.9%** Success Rate
- ★ More than **69,000** Satisfied Customers Worldwide
- ★ Multi-Platform capabilities - **Windows, Mac, Android, iPhone, iPod, iPad, Kindle**

## Need Help

Please provide as much detail as possible so we can best assist you.

To update a previously submitted ticket:



Submit A Ticket

### One Year Free Update



Free update is available within One Year after your purchase. After One Year, you will get 50% discounts for updating. And we are proud to boast a 24/7 efficient Customer Support system via Email.



### Money Back Guarantee

To ensure that you are spending on quality products, we provide 100% money back guarantee for 30 days from the date of purchase.



### Security & Privacy

We respect customer privacy. We use McAfee's security service to provide you with utmost security for your personal information & peace of mind.

## Guarantee & Policy | Privacy & Policy | Terms & Conditions

Any charges made through this site will appear as Global Simulators Limited.

All trademarks are the property of their respective owners.

Copyright © 2004-2014, All Rights Reserved.