



CLAD^{Q&As}

Certified LabVIEW Associate Developer Examination

Pass NI CLAD Exam with 100% Guarantee

Free Download Real Questions & Answers **PDF** and **VCE** file from:

<https://www.pass4itsure.com/clad.html>

100% Passing Guarantee
100% Money Back Assurance

Following Questions and Answers are all new published by NI Official Exam Center

- ⚙️ **Instant Download** After Purchase
- ⚙️ **100% Money Back** Guarantee
- ⚙️ **365 Days** Free Update
- ⚙️ **800,000+** Satisfied Customers





QUESTION 1

Which of the following statements is true regarding the execution of the following code?

- A. The loop will iterate 51 times.
- B. The loop will iterate 50 times.
- C. The loop will iterate 49 times.
- D. A For Loop that has a 50 wired to the count terminal will perform the same operation.

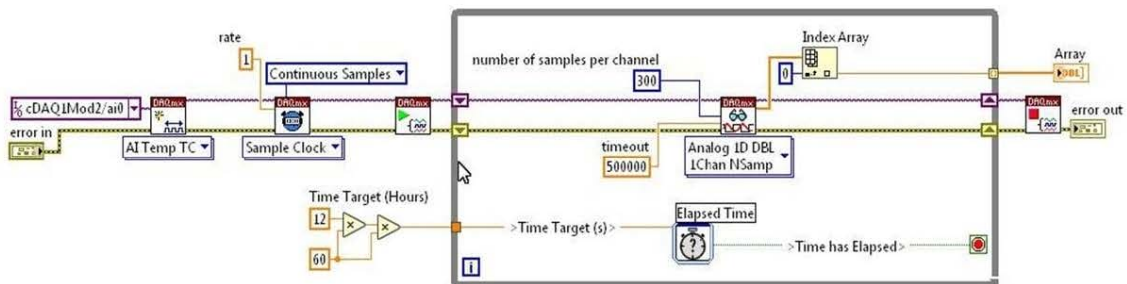
Correct Answer: A

QUESTION 2

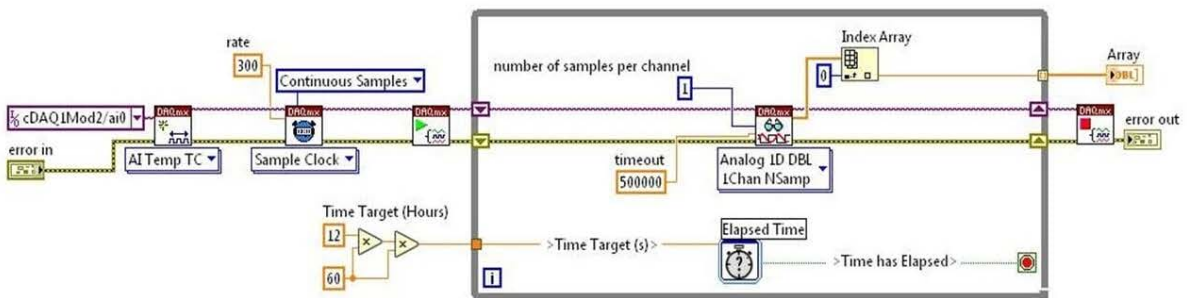
Which VI will acquire one temperature data point every 5 minutes for 12 hours?



© A.

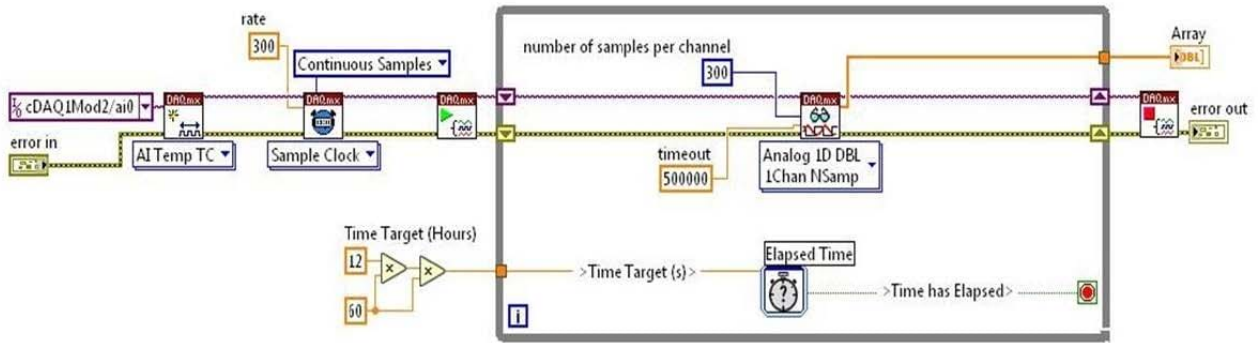


© B.

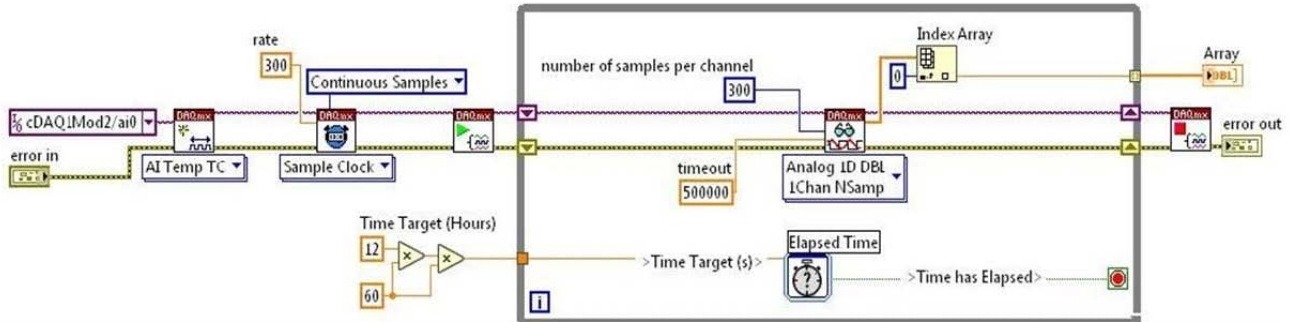




C.



D.



A. Option A

B. Option B

C. Option C

D. Option D

Correct Answer: B

QUESTION 3

In the figure below, the output of Array Size is



A. a 1-D Array of {2, 3}

B. a 1-D Array of {3,2}

C. 2

D. None of the above



Correct Answer: A

QUESTION 4

Which of the following statements regarding the index of Arrays are NOT true?

- A. The index is used to access a particular element of an Array.
- B. The index ranges from 1 to n.
- C. A 2-D Array has both a column index and a row index.
- D. The index ranges from 0 to n-1.

Correct Answer: B

QUESTION 5

How do you document a VI so that the description appears in the Show Context Help popup window?

- A. Use the VI Properties Documentation window
- B. Type in the Show Context Help window
- C. Create a free label on the front panel
- D. Edit the LabVIEW help files

Correct Answer: A

QUESTION 6

Which of the following can not be used to transfer data?

- A. Semaphores
- B. Queues
- C. Notifiers
- D. Local variables

Correct Answer: A

QUESTION 7

To determine the frequency distribution of a signal, the sampling rate must be at least.

- A. greater than ten times the highest frequency in the signal



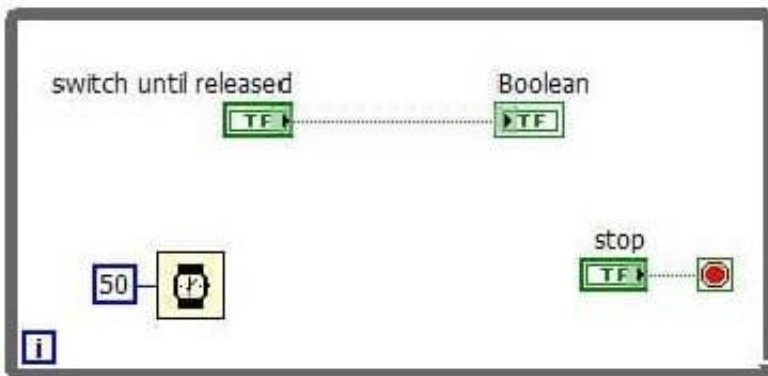
- B. greater than the highest frequency of the signal
- C. greater than twice the highest frequency in the signal
- D. greater than five times the highest frequency in the signal

Correct Answer: C

QUESTION 8

Consider the VI and user actions.

What value will be displayed in the Boolean indicator at 7 seconds and 17 seconds, respectively?



Time in Seconds	User Action
0	Clicks Run Arrow
5	Press the switch until released button
8	Releases the switch until released button
15	Press the switch until released button
16	Releases the switch until released button
20	Clicks the stop button

- A. TRUE, TRUE
- B. FALSE, TRUE



C. FALSE, FALSE

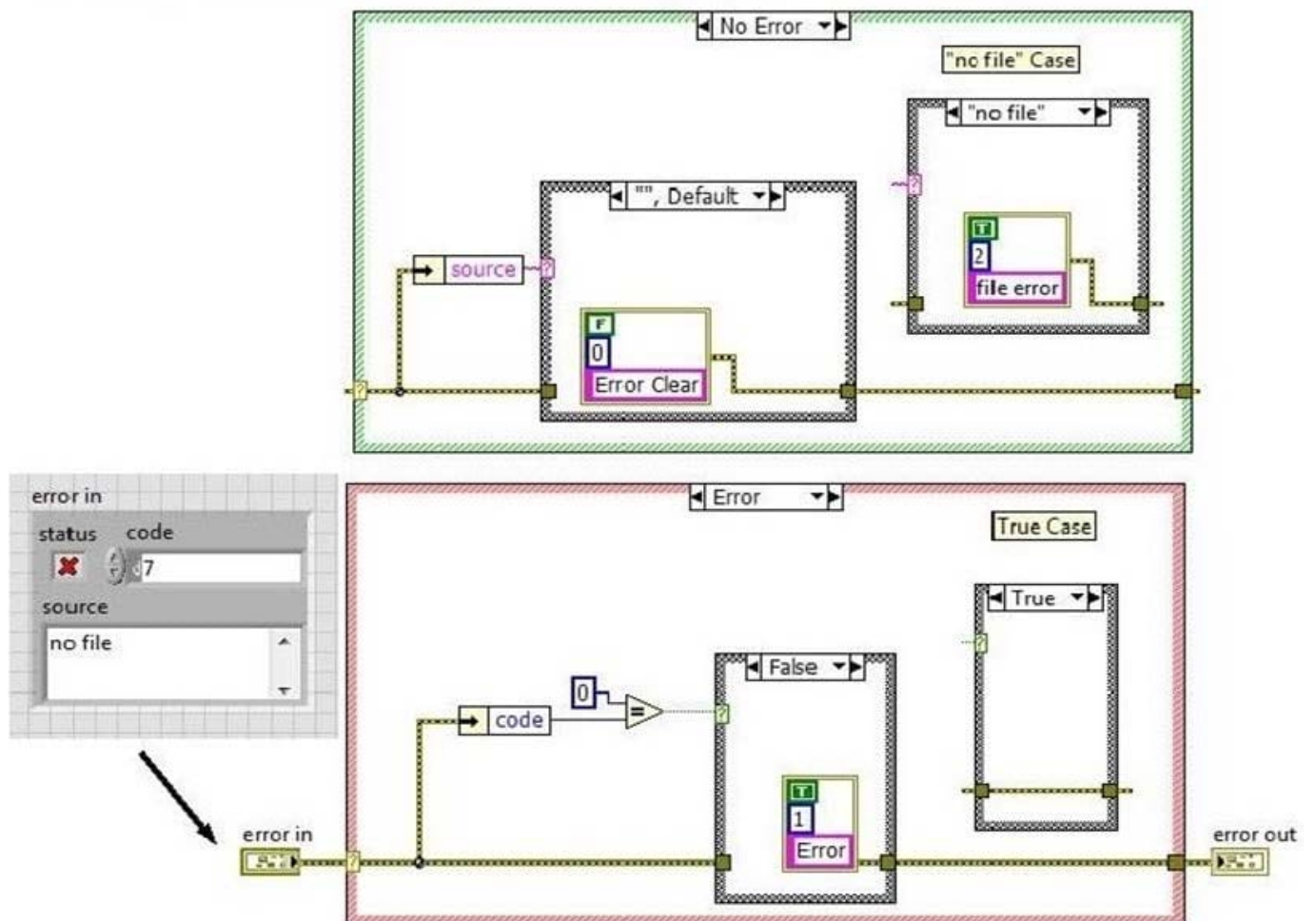
D. TRUE, FALSE

Correct Answer: A

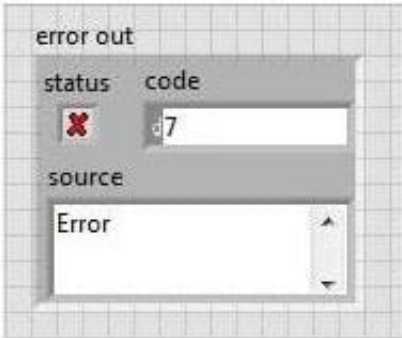
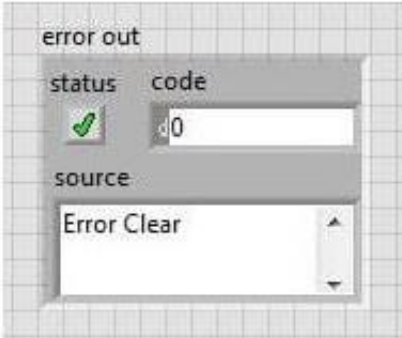
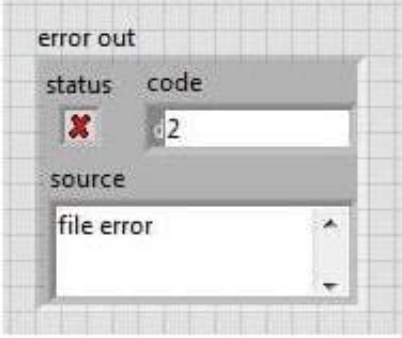
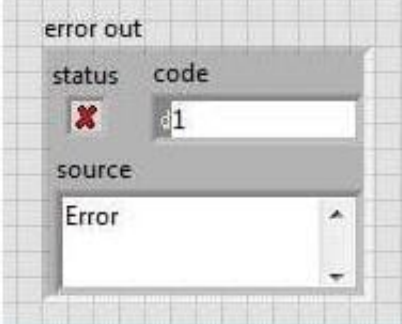
QUESTION 9

The following code executes with the error in control configured as shown.

What value will be displayed in the error out indicator when the VI completes execution?





- A. 
- B. 
- C. 
- D. 

A. Option A

B. Option B

C. Option C

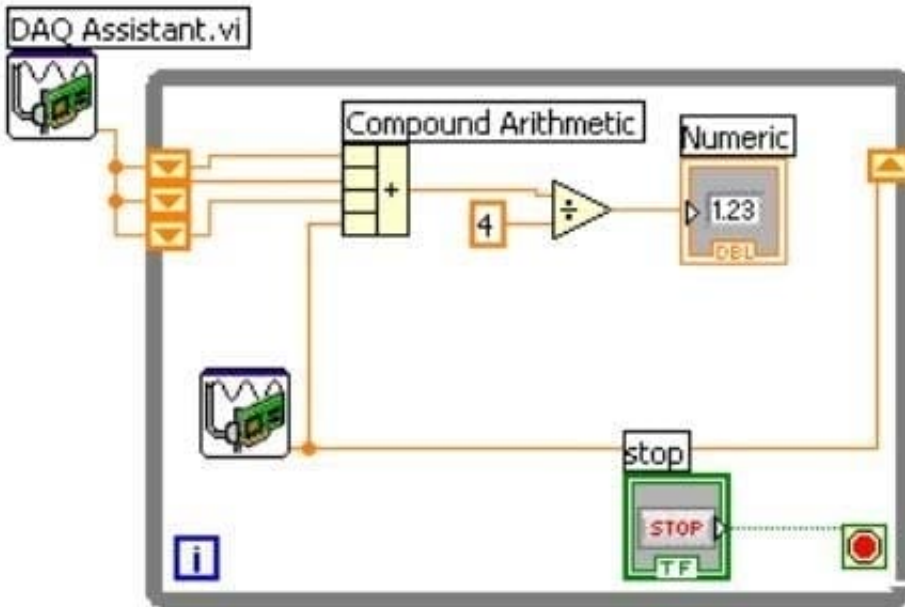
D. Option D

Correct Answer: A



QUESTION 10

Which of the following accurately describes the output that results from execution of the following loop?

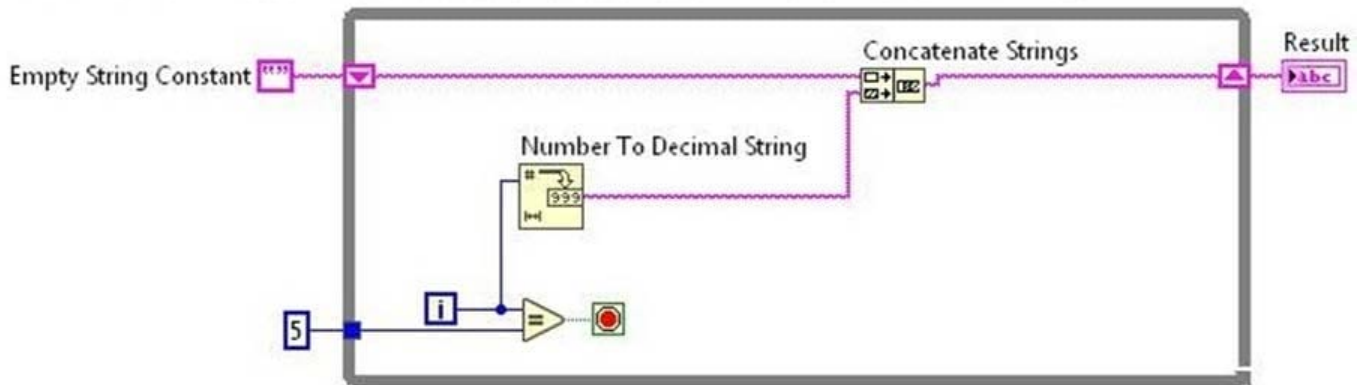


- A. The last three values from the DAQ Assistant will be displayed.
- B. A running average of all measurements will be displayed.
- C. An average of the last four measurements will be displayed.
- D. None of the above

Correct Answer: C

QUESTION 11

What string will be displayed in the Result indicator after the VI completes execution?

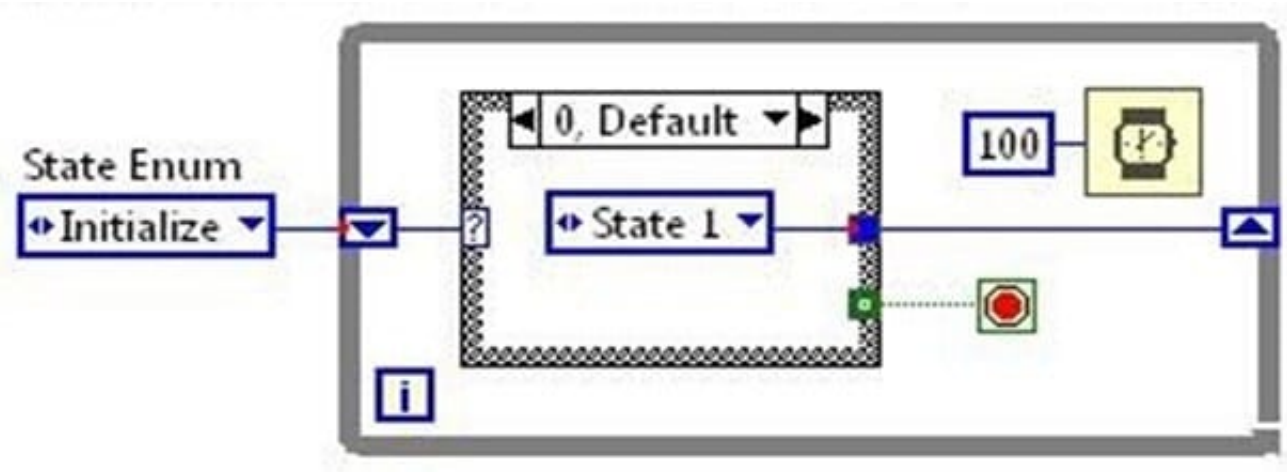


- A. \\\"\\\"\\\"12345
- B. 12345
- C. \\\"\\\"\\\"012345
- D. 012345

Correct Answer: C

QUESTION 12

What of these could cause the Case Structure's case selector to show numbers instead of the Enum text?



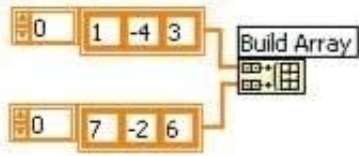
- A. The Case Structure Options are set to display Enum as Numeric
- B. The Enum constants are not Type Defs
- C. The Coercion dots prevent the text from displaying
- D. The Enum constants have inconsistent sets of cases

Correct Answer: A



QUESTION 13

What is the output of the Build Array function in the following block diagram when Concatenate Inputs is selected?

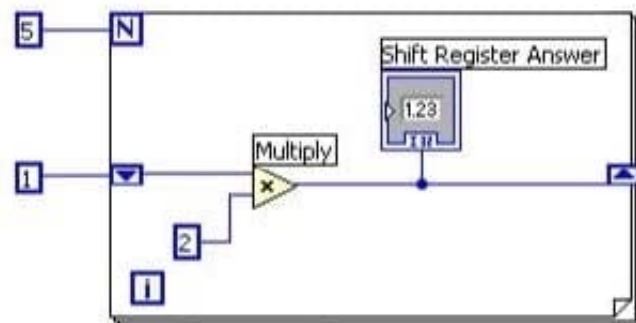


- A. 1-D Array of {1, -4, 3, 7, -2, 6}
- B. b.1-D Array of {1, 7, -4, -2, 3, 6}
- C. c.2-D Array of {{1, -4, 3, 0}, {7, -2, 6}}
- D. d.2-D Array of {{1, -4, 3}, {7, -2, 6}}

Correct Answer: A

QUESTION 14

What is the value in Shift Register Answer after the following code has executed?



- A. 16
- B. 24
- C. 32
- D. 10

Correct Answer: C

QUESTION 15

Which of the following does not conform to data flow programming paradigm?

- A. Shift Registers



B. Tunnels

C. SubVIs

D. Local Variables

Correct Answer: D

[Latest CLAD Dumps](#)

[CLAD VCE Dumps](#)

[CLAD Braindumps](#)