

100% Money Back Guarantee

Vendor: IBM

Exam Code: C4040-121

Exam Name: Virtualization Technical Support for IBM i - v1

Version: Demo

Question No : 1

A customer needs two client IBM i partitions on a 4-core Power 720, with storage hosted by VIO Server. What is the least expensive method to manage this environment?

- A. HMC
- B. Virtual Partition Manager
- C. Integrated Virtualization Manager
- D. Systems Director Navigator for PowerVM

Answer: C

Question No : 2

A customer has multiple POWERS 570 servers. The servers are controlled by multiple HMCs. The customer is installing an additional Power 770 server in this environment but will retain their existing HMCs. No updates to FSP or HMC levels have been made since installation of the POWERS servers.

After reviewing the cover letters for ESP and HMC firmware levels, what updates are required to support the addition of the new server into the network?

- A. Update only the HMCs to the latest version.
- B. Update only the FSPs to the latest release available.
- C. Update the FSP5 and HMC5 of the existing systems to the minimum level required.
- D. Update the POWERS ESPs to the most recent version available for the installed firmware release. Update the HMCs to the most recent release available.

Answer: C

Question No : 3

An administrator wants to share a fibre attached TS3100 tape library between multiple IBM i 7.1 partitions. The system contains a PC #5774 - 4Gb fibre adapter and uses an IBM fibre switch. All IBM i partitions are hosted by VIO Server (VIOS).

How could the administrator configure the sharing of the tape library?

- A.** Configure NPIV within VIOS, then configure each partition to use NPIV to share the tape library.
- B.** Create a script that can be called after each backup job in a partition finishes, which will move the fibre adapter to the next partition
- C.** In the HMC, select the host Power System, then select Operations - Schedule Operations - New. Create a new Scheduled Dynamic Reconfiguration operation to move the fibre adapter between partitions.
- D.** In the HMC, select the VIOS partition, then select Operations - Schedule Operations - Options - New. Create a new Scheduled Dynamic Reconfiguration operation to move the fibre adapter between partitions.

Answer: B

Question No : 4

A client IBM i 7.1 partition is being hosted by dual VIO Server partitions (VIOS-1 & VIOS-2). A Shared Ethernet Adapter (SEA) has been created in order to provide Ethernet failover capability for the IBM i partition. The IBM i partition will use the Ethernet resources of the VIO Server partitions.

How many virtual Ethernet adapters need to be defined on the HMCI in the IBM i client, and VIO Server partition profiles to support SEA and failover?

- A.** IBM i Client: 1 adapter:
VIOS-1: 1 adapter
VIOS-2: 1 adapter
- B.** IBM i Client: 2 adapters
VIOS-1: 1 adapter
VIOS-2: 1 adapter
- C.** IBM i Client: 1 adapter
VIOS-1: 2 adapters
VIOS-2: 2 adapters
- D.** IBM i Client: 2 adapters
VIOS-1: 2 adapters
VIOS-2: 2 adapters

Answer: C

Question No : 5

In addition to Qshell and PASE, what other product needs to be installed on an IBM i partition in order to remotely run scripts on an HMC?

- A. IBM Portable Utilities for i
- B. IBM i Integrated Server Support
- C. IBM Cryptographic Service Provider
- D. IBM Network Authentication Enablement for i

Answer: A

Question No : 6

A customer wants two VIO Servers in the CEO of a proposed Power 720. To provide redundancy for the IBM V7000 SAN they will utilize to provision disk for his client partitions.

What is the minimum required to make this possible?

- A. A 6-disk storage backplane
- B. An 8-disk storage backplane
- C. A 6-disk storage backplane and the split drive bay feature
- D. An 8-disk storage backplane and the split drive bay feature

Answer: C

Question No : 7

A customer has purchased a new BladeCenter H (BCH) and POWER blade to run IBM i. The POWER blade is configured with two Fibre Channel interlaces for attaching SAN and tape.

They have an IBM TS3500 tape library with a fibre channel connection, and current firmware is running through a fibre switch to another IBM i system. One port on the existing switch and one port in the BCH fibre switch has been zoned to provide a connection from the tape library to the BCH.

After IBM i 7.1 SLIC and base OS are installed on the blade from IBM distribution media, the tape library does not appear in the device configuration.

What is the most likely cause of the problem?

- A. The existing switch does not support NPIV.
- B. NPIV enablement was omitted when configuring the BCH switch.
- C. The BCH switch configuration must match the link speed of the TS3500.
- D. A switch-to-switch cable is required. A switch to device cable was shipped with the BCH by default.

Answer: A

Question No : 8

Disk from a fibre-attached V7000 disk subsystem will be used for an IBM i partition. What type of adapter is required in the IBM i partition?

- A. SAS disk adapter
- B. Virtual SAS adapter
- C. Virtual SCSI adapter
- D. Fibre Channel adapter

Answer: C

Question No : 9

A POWER7 system has 6 IBM i partitions sharing a single shared processor pool. The system has 3 IBM i operating system licenses. Without exceeding the licenses available, what is the largest allowable value for the "Maximum processing units" setting in the shared processor pool?

- A. 1
- B. 2
- C. 3
- D. 6

Answer: C

Question No : 10

A customer has several client IBM i partitions, hosted by other IBM i partitions. Corporate IT policy specifies that certain optical and tape resources must not be available to client

IBM i partitions. How can these resources be made unavailable to the client partitions?

- A. Specify the devices to be unavailable in the Network Server Description.
- B. Specify only the devices to be available in the Network Server Description.
- C. Remove the unneeded hardware from the hosted partition's profile on the HMC.
- D. Secure the device descriptions on the hosting partition with an authorization list.

Answer: A

Question No : 11

Which VIO Server command lets an administrator enter a non-restricted root shell to allow environment setup and installation of vendor software?

- A. env_oem_setup
- B. oem_env_setup
- C. oem_setup_env
- D. setup_oem_env

Answer: C

Question No : 12

An administrator is designing a client IBM i partition, which will require 1 .4TB of storage, hosted from another IBM i partition. The administrator will configure each virtual disk as 70GB. In addition, the hosting partition will provide the CD and share the internal tape.

What is the minimum number of vSCSI adapters that will need to be defined in each of the client and hosting partitions?

- A. 1
- B. 2
- C. 3
- D. 4

Answer: B

Question No : 13

Additional SAN disk volumes have been dynamically presented to a VIO Server (VIOS) partition, and these resources need to be mapped to an IBM i partition. In order for these resources to be visible in the VIOS partition, what is the appropriate next step?

- A. As padmin, run cfgmgr in the VIOS partition.
- B. Run the cfgdev command in the VIOS partition.
- C. Add an SCSI device in the HMC for the client partition.
- D. Use the Disk Management function in System Management Services (SMS).

Answer: B

Question No : 14

After using the Advanced Management Module (AMM) to move the BladeCenter's optical drive to a different POWER blade in the same chassis, the VIO Server on the blade from which the drive was removed still shows it as "available," while the blade to which it was moved doesn't reflect ownership of the device. Why is this occurring?

- A. The scheduled inventory refresh has not yet processed.
- B. The IBM i partition which needs the optical device to be varied on with RESTART *YES in order to be acquired.
- C. The VIO Server which is acquiring the hardware doesn't have an adapter available to support optical virtualization.
- D. The VIO Servers on each POWER blade need to have actions taken in order to refresh the known inventory of physical hardware.

Answer: D

Question No : 15

A customer would like to implement a client Linux partition on their Power Systems server. There are no available physical network ports on the system.

In addition to configuring the virtual Ethernet adapters in a hosting IBM i partition, what must be configured to allow the client Linux partition to access the network?

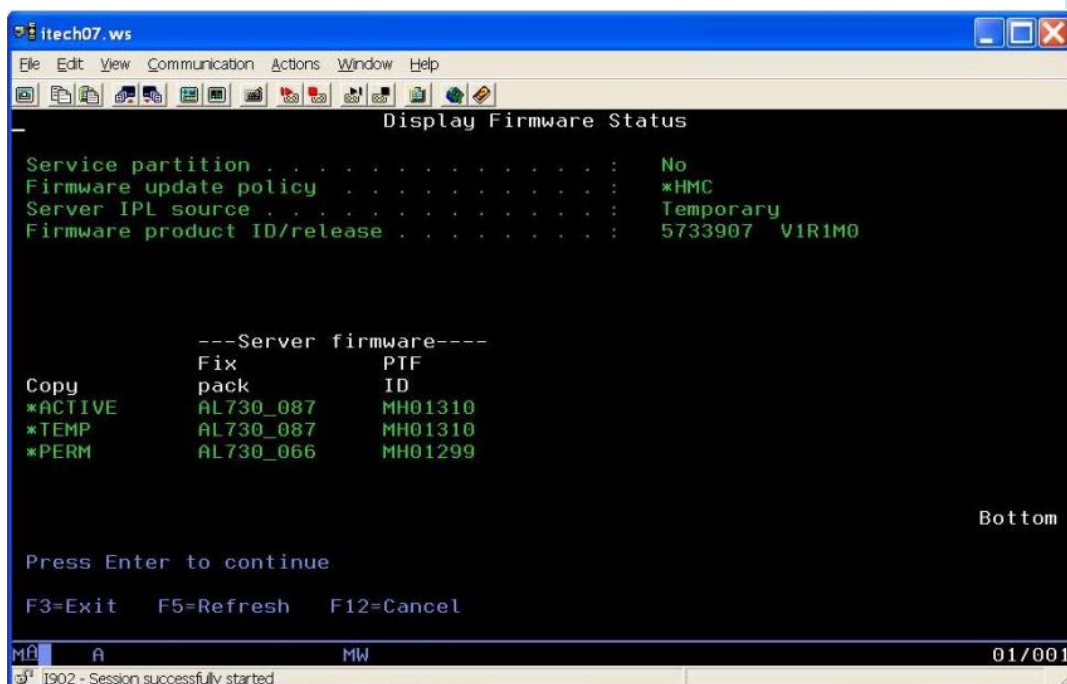
- A. Schowler routes

- B. Promiscuous mode
- C. Link aggregation
- D. Network address translation

Answer: D

Question No : 16

The DSPFMWSTS on an IBM i 7.1 partition appears as shown:



As part of troubleshooting, IBM support asks that level AL730_087 be deactivated.

How is that accomplished?

- A. Run command DLTPTF PTF(MH01310) RMV(*TEMP)
- B. Run command RMVPTF LICPGM(5770SS1) SELECT(MH01310) DELAYED(*YES), then restart the partition
- C. Stop all partitions
Change the managed system to start in "P" mode
Restart the managed system
From the HMC, select Updates
- D. On the resulting screen, select the managed system
Under Tasks select Change Licensed Internal Code for Current Release
In the wizard select Deactivate Temporary Level

Answer: C

Question No : 17

A new IBM i client partition has been created. Storage for the client partition is being provided by a hosting IBM i partition. All steps regarding linking of network servers to storage spaces have been performed. When varying on the Network Server Description (NWSD) from the hosting partition, nothing occurs with the new client partition.

What is the most likely reason?

- A. Power control has not been properly configured.
- B. The processor settings are “capped” rather than “uncapped.”
- C. Shared memory has not been enabled in the hosting partition.
- D. I_BASE_01 media is not in any accessible optical or virtual optical drive.

Answer: A

Question No : 18

A client IBM i partition running 6.1 is being upgraded to 7.1 using an image catalog on an IBM i 6.1 partition. The image catalog is loaded into a virtual optical device and made available to the client partition using a Network Server Description and virtual SCSI adapters.

Which statement is correct?

- A. The next volumes will have to be mounted manually, one by one.
- B. The virtual optical device performs as a library in IBM i 6.1.
- C. The device will show on the client with the same name as on the host.
- D. The virtual optical device should be specified in the NWSD before it can be seen by the client partition.

Answer: A

Question No : 19

Auditors have reviewed access to the HMC and determined that many users have too much authority on the HMC. What is the correct method to restrict users to only a specific set of resources?

- A. Change the users' task role to hmcoperator.
- B. Create and assign a new task role that allows only the required set of tasks.
- C. In Manage Users and Tasks, select each resource that is required for this user.
- D. Create and assign a new resource role that allows access to only the required resources.

Answer: D

Question No : 20

A client plans to add a Power 770 server to a POWEP6 environment. What resource can the administrator use to determine if the HMC is at the correct level to support the new server firmware?

- A. ASMI
- B. HMC Service Agent
- C. Power Code Matrix
- D. System Planning Tool

Answer: C

Question No : 21

A hosted IBM i partition with SAN-based disk is to be configured with mirrored disks. In order to maximize performance of the partition, where should the disk mirroring be performed?

- A. In the disk subsystem
- B. In the IBM i partition
- C. In the VIO Server partition
- D. In the SAN Volume Controller

Answer: A

Question No : 22

What are two methods to determine the partition to which virtual disks are assigned?

- A.** In VIO Server, use lspv-AvI
In the HMC command line, use lsvdev-p
- B.** In VIO Server, use lsdev-v command
In IBM i, use WRKCFRGSTS *DEV* VRT
- C.** In VIQ Server, use the lsctg -vl command
In IBM i, use the WRKHWRSC *STG command
- D.** In VIO Server, use the lsmapi command
In the HMC GUI use Virtual Resources/Virtual Storage Management

Answer: D

Question No : 23

A Power 720 administrator is going to create a new partition on a machine with 3 existing partitions. The machine has 2 processors in a Shared Processor Pool. The three partitions as defined below for their processor requirements are active, utilizing the Desired processing units.

Partition	Min	Desired	Max	Weight
LPAR1	0.3	0.5	1.2	128
LPAR2	0.4	0.7	0.9	128
LPAR3	0.6	0.7	1.2	128

What is the effect of configuring partition LPAR4 as follows using the same processor pool?

Partition	Min	Desired	Max	Weight
LPAR4	0.2	0.4	1.0	128

- A.** LPAR4 will start but only receive 0.2 of a processor.
- B.** LPAR4 profile cannot be saved until the maximum is set to 0.8 or less.
- C.** LPAR4 will not start since there is not enough processor capacity to satisfy the minimum.
- D.** All the partitions in the Shared Processor Pool will have their desired processing units reduced by .1 when LPAR4 is activated.

Answer: C

Question No : 24

An administrator created a VIO Server partition in the System Planning Tool (SPT) and wants to pair the dual disk controllers for the partition.

What is the correct process?

- A.** Add the controllers
Add the disk
Pair the dual controllers
- B.** Add the controllers
Pair the dual controllers
Add the disk
- C.** Add the controllers
Add the disk
Select "Controller Optimization" to manage the pairing
- D.** Add the first controller
Add the disk
Add the second controller
Pair the disk to the dual controllers

Answer: B

Question No : 25

A customer with an IBM i environment running on a 6-core Power 720 wants to add an additional IBM i workload in a new partition. The customer is licensed for 4 cores to run IBM i, and the existing LPARs are using 3.

Maximum internal DASD is currently installed in the CEO and is being used for production. The customer has a V7000 storage subsystem with available capacity and an available slot for a fibre adapter.

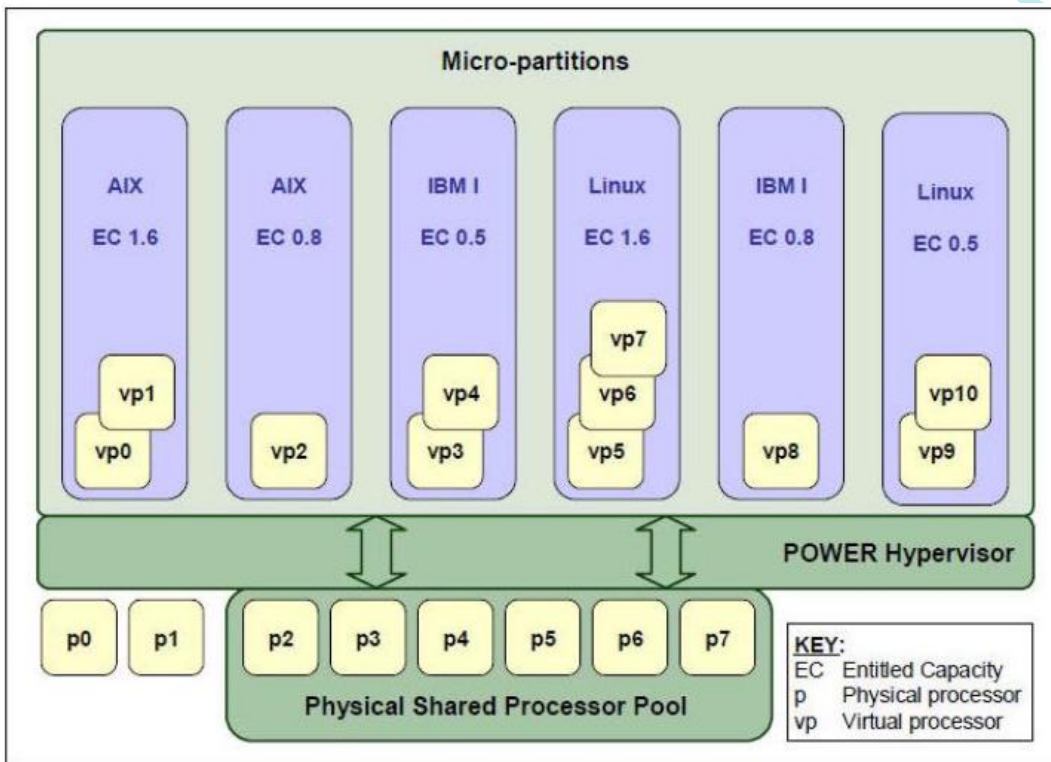
Which option would allow the customer to use some of the remaining processing capabilities of their Power 720 but attach to disk storage elsewhere?

- A. VIO Server
- B. POWER blades
- C. IBM i hosting i
- D. AIX hosting IBM i

Answer: A

Question No : 26

An administrator has configured a POWER7 server with 6 partitions. The partitions are configured with shared processor pools and virtual processors as shown:



The IBM i partition configured to use virtual processor capacity indicated in the graphic above as vp8 is currently shut down, but the administrator needs to reserve the shared processor pool capacity for use with the IBM i partition once it starts up.

Which action will accomplish the goal?

- A. De-allocate the entitled capacity from vp8.
- B. Set the uncapped processor weight to 255 (maximum).
- C. Start the IBM i partition into DST, do not start IBM i.
- D. Remove the virtual Partition definition and make vp8 a dedicated processor pool.

Answer: C

Question No : 27

A customer has a single-partition Power 720 running IBM i. They would like to install some additional adapters and implement 5 additional partitions. In addition to installing the adapters and configuring an HMC, what else is necessary?

A. Configure the new partitions.

Activate the new profiles to remove “required” features of the existing partition.

B. Modify the existing partition profile to not “use all resources in system” and own only what it needs. Reactivate the profile.

Create partitions and profiles for the additional partitions.

C. Create a new partition and profile for the original LPAR with only the resources the partition needs. Create partitions and profiles for the additional partitions.

Delete the original partition.

Suspend the existing partition.

D. Modify the profile of the existing partition and concurrently enable it.

Resume the existing partition.

Create partitions and profiles for the additional LPARs.

Answer: C

Question No : 28

A customer is experiencing disk performance issues on a client IBM i LPAR. The hosting IBM i partition is utilizing 50 internal disks. Both the host and the client partition disks are less than 50% full.

Which option is most likely to improve performance of the client IBM i partitions?

A. Use the STRASPBAL *USAGE utility.

B. Utilize a user ASP for the Network Server Storage Spaces.

C. Increase the queuing depth of the disks to the maximum allowed.

D. Utilize smaller Network Server Storage Spaces, but the same quantity.

Answer: B

Question No : 29

An administrator has an IBM i partition hosted by VIO Server (VIOS), and managed by an HMC.

The administrator has hdisk2 through hdisk17 assigned to a vSCSI adapter, and wants to map 2 more virtual disk units, but receives an error when trying to map the disks to the vSCSI controller.

What is the cause of the error?

- A. The vSCSI adapter limit has been reached.
- B. The disk units are incorrectly formatted for AIX/VIOS.
- C. The PowerVM license must be upgraded to Enterprise from Standard.
- D. The client partition must be powered off to map virtual disks to a vSCSI controller.

Answer: A

Question No : 30

When using SAN flash copy to clone a disk image for an IBM i client LPAR, message 'CP1096E - Disk unit connection is missing' appears in the history log of the newly created client LPAR.

A check in SST shows the expected disk paths as 'active' and extra disk paths with a status of 'missing', a result of the reconfiguration of the disk subsystem.

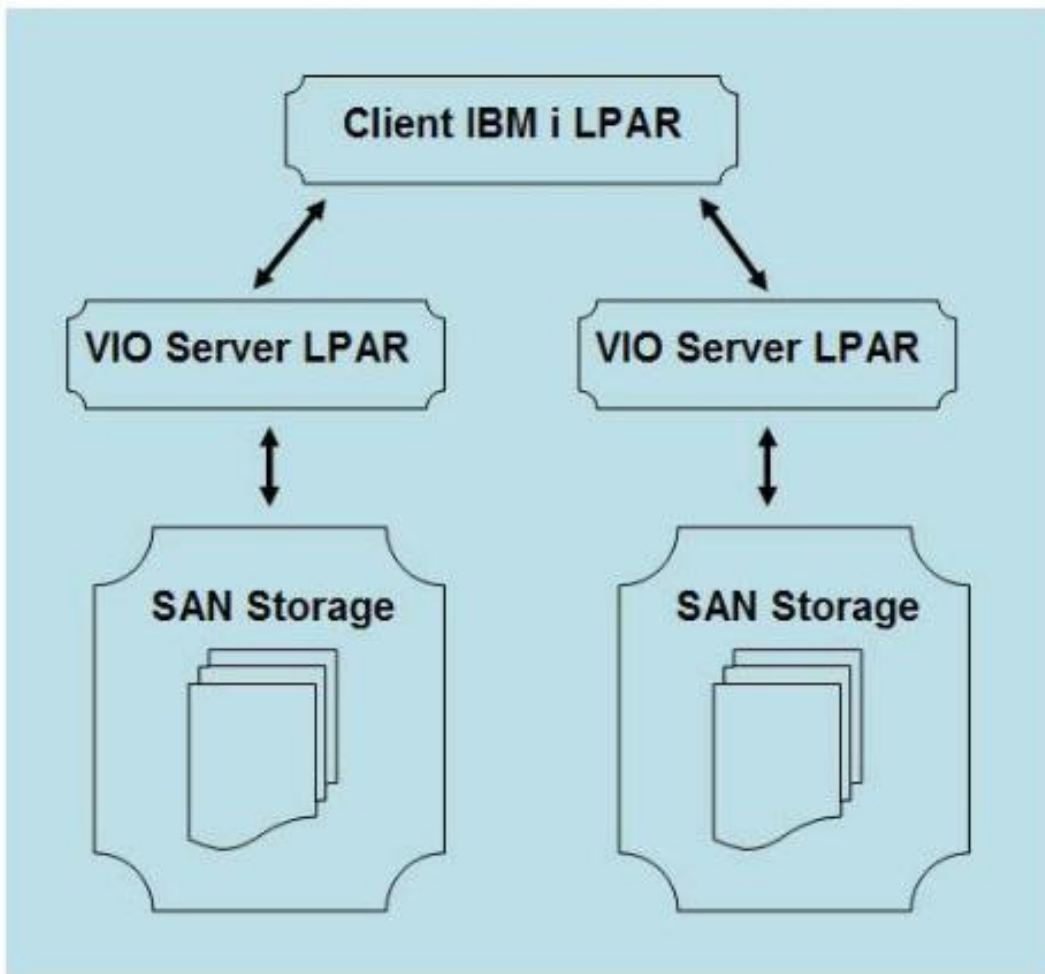
What is necessary to avoid the warnings and to clean up the disk paths?

- A. Re-IPL the system.
- B. Run the multipath resetter Advanced Analysis macro in SST.
- C. Use the Disk Path Manager tool in System Director Navigator.
- D. Remove the missing path(s) through Hardware Service Manager.

Answer: B

Question No : 31

A client IBM i partition is being planned. Dual VIO Servers will each provide 40 SAN disks to the client partition, mirrored in IBM i at the adapter level (see example below).



Considering both the host and client partitions, what is the minimum number of vSCSI adapters required to support this disk configuration?

- A. 4
- B. 6
- C. 8
- D. 12
- E. 16

Answer: D

Question No : 32

An IBM i client partition is experiencing a network issue and has collected performance data. What Performance Tools command/commands could be used to show the network

I/O throughput and percentage of packet errors?

- A. PRTPOLRPT MBR(Qxxxxxxxx) SLTLINE(*ALL)
- B. PRSYSPT MBR(Qxxxxxxxx) TYPE(*CMN)
PRTCPT MBR(Qxxxxxxxx) TYPE(*IOP)
- C. PRTJOB RPT MBR(Qxxxxxxxx) SLTLINE(*ALL)
PRTRSCRPT MBR(Qxxxxxxxx) TYPE(*IOP)
- D. PRSYSPT MBR(Qxxxxxxxx) TYPE(*TCPIP)
PRTCPT MBR(Qxxxxxxxx) TYPE(*TCPIP)

Answer: D

Question No : 33

An IT manager wants to directly attach disk for an AIX partition. There is no budget to acquire new disk. There are a number of idle disks in an IBM i partition that can be given to the AIX partition, but need to be reformatted.

What must the administrator use to reformat the disk for AIX?

- A. Dedicated Service Tools
- B. System Management Services
- C. AIX Standalone Diagnostics DVD
- D. Attended IPL from I_base_01 DVD

Answer: C

Question No : 34

When configuring a bridged-virtual-Ethernet-to-physical-Ethernet environment, what value determines which bridge will serve as primary and which as secondary?

- A. Queuing value
- B. Priority value
- C. Class of Service value
- D. Quality of Service value

Answer: B

Question No : 35

How are consoles accessed remotely for AIX and Linux partitions running on an HMC-managed Power Systems server?

- A. Telnet to the HMC on port 2301.
- B. Open a ssh connection to the HMC, use the "vtmenu" command.
- C. In ASMI, select "open shared console" for the desired partition.
- D. Use LAN Console, specifying the appropriate serial and partition number.

Answer: B

Question No : 36

An operator shut down an operating IBM i partition from the HMC. What is the result of this action?

- A. RAID integrity may be compromised.
- B. Objects in disk IOA write cache will be lost.
- C. The next IPL of the partition will be an abnormal IPL.
- D. The next IPL will need to be manual and will require a Reclaim Storage to complete.

Answer: C

Question No : 37

A PCIe card in the CEO of a 16-core Power 740 server has failed. The customer has removed the cover from the machine.

What must be done to complete the replacement of the failed PCIe card?

- A. Remove the failed card
Install the new card
Replace the cover
- B. Replace the failed card
Replace the cover
Power-up the managed system
Restart all partitions
- C. Power off the domain in service tools

Remove the failed card
Install the new card
Replace the cover
Power on the domain
D. Use the service action menu on the HMO to remove power from the slot
Replace the failed card
Complete the service action to power the slot back on
Replace the cover

Answer: B

Question No : 38

A client IBM i 7.1 partition has its disk provided by another IBM i partition, and owns a physical network adapter.

The host partition is put into restricted state.

What happens to the client partition?

- A.** It continues to operate normally.
- B.** It halts and resumes when the host is taken out of restricted state.
- C.** It crashes and starts an abnormal IPL with Storage Management Recovery.
- D.** It shuts down and restarts when the host is taken out of restricted state.

Answer: A

Question No : 39

What IBM software is the minimum required to share an IBM tape library connected to multiple IBM i partitions using NPIV?

- A.** VIO Server
- B.** Tivoli Storage Manager
- C.** Media and Storage Extensions
- D.** Backup and Recovery Media Services

Answer: A

To Read the [Whole Q&As](#), please purchase the [Complete Version](#) from [Our website](#).

Trying our product !


- ★ **100%** Guaranteed Success
- ★ **100%** Money Back Guarantee
- ★ **365 Days** Free Update
- ★ **Instant Download** After Purchase
- ★ **24x7** Customer Support
- ★ Average **99.9%** Success Rate
- ★ More than **69,000** Satisfied Customers Worldwide
- ★ Multi-Platform capabilities - **Windows, Mac, Android, iPhone, iPod, iPad, Kindle**

Need Help

Please provide as much detail as possible so we can best assist you.

To update a previously submitted ticket:



 One Year Free Update <p>Free update is available within One Year after your purchase. After One Year, you will get 50% discounts for updating. And we are proud to boast a 24/7 efficient Customer Support system via Email.</p>	 Money Back Guarantee <p>To ensure that you are spending on quality products, we provide 100% money back guarantee for 30 days from the date of purchase.</p>	 Security & Privacy <p>We respect customer privacy. We use McAfee's security service to provide you with utmost security for your personal information & peace of mind.</p>
---	---	--

Guarantee & Policy | Privacy & Policy | Terms & Conditions

Any charges made through this site will appear as Global Simulators Limited.

All trademarks are the property of their respective owners.