



ACMP_6.4^{Q&As}

Aruba Certified Mobility Professional 6.4

Pass Aruba ACMP_6.4 Exam with 100% Guarantee

Free Download Real Questions & Answers **PDF** and **VCE** file from:

https://www.pass4itsure.com/acmp_6-4.html

100% Passing Guarantee
100% Money Back Assurance

Following Questions and Answers are all new published by Aruba
Official Exam Center

-  **Instant Download** After Purchase
-  **100% Money Back** Guarantee
-  **365 Days** Free Update
-  **800,000+** Satisfied Customers





QUESTION 1

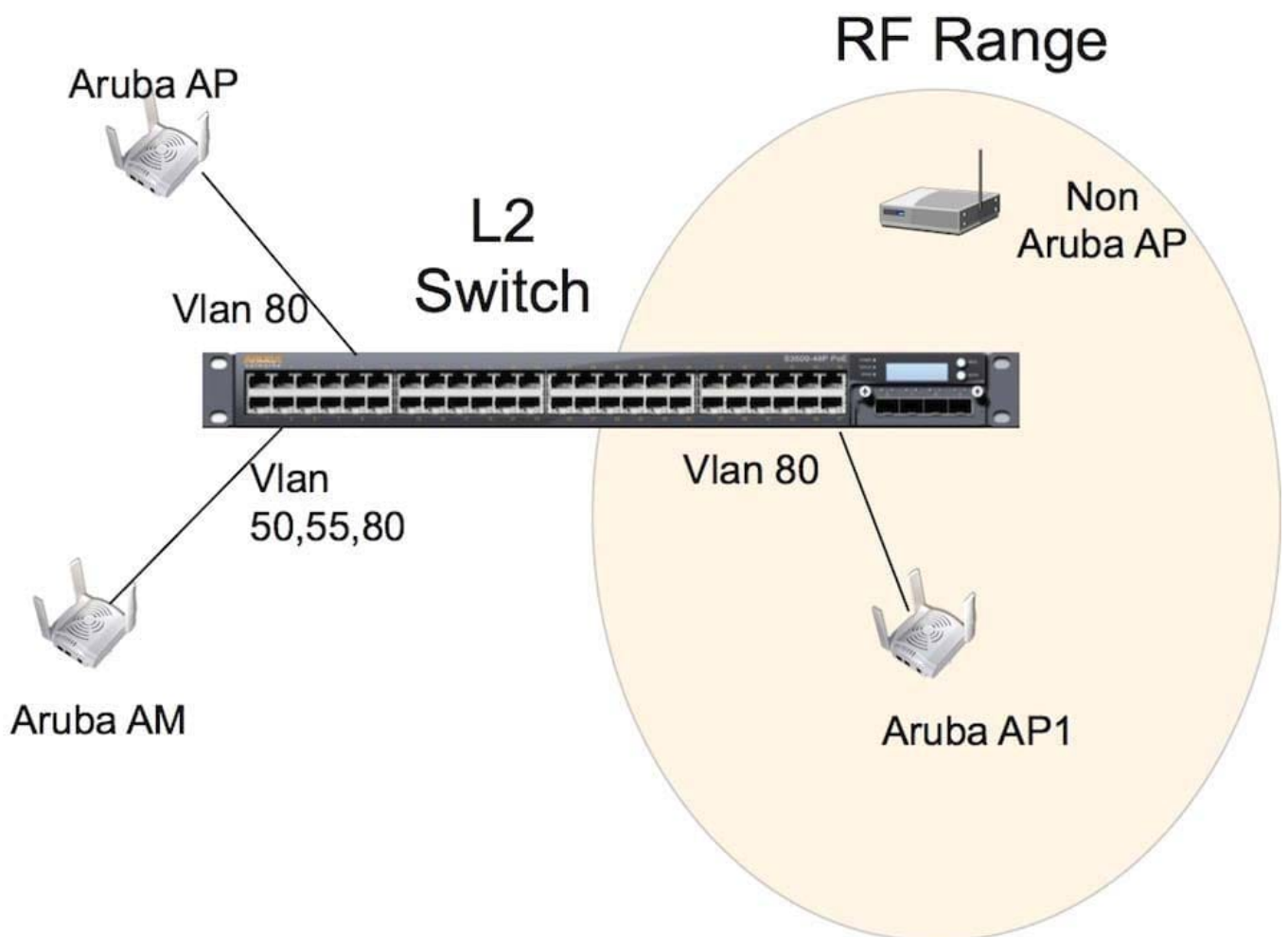
The permanent licenses on the controller will be deleted with the use of which command?

- A. delete license
- B. write erase
- C. Licenses cannot be deleted once activated
- D. write erase all
- E. reboot delete all

Correct Answer: D

QUESTION 2

Exhibit:





Referring to the diagram provided for this question, an employee brought an unauthorized AP from home, but did not attach it to the LAN infrastructure. The APs are in the VLANs as shown in the diagram. Only AP1 is within RF range of the employee AP.

By default, how will the Aruba system classify the employee's AP?

- A. an AP
- B. an AM
- C. a Rogue AP
- D. an Interfering AP
- E. a valid workstation

Correct Answer: D

QUESTION 3

A network administrator wants to terminate VPN sessions on a local controller in the DMZ. Which statement is true about the PEF-VPN license?

- A. It is only applied to the master controller
- B. It is only applied to the DMZ controller.
- C. It is based on the number of APs
- D. One license is needed on the master and the DMZ local
- E. It is distributed by the license server as needed

Correct Answer: D

QUESTION 4

A client Roams from one Local controller-1 to another Local controller-2. The controllers are in different subnets and L3 Mobility is enabled.

How is the client traffic sent back to Local-controller-1?

- A. IP-IP tunneled
- B. FTP
- C. Multicast
- D. L2 GRE Tunnel



E. Routed locally

Correct Answer: D

QUESTION 5

(group8) #show ap arm history ap-name AP1 Interface :wifi0 ARM History

```
Time of Change Old Channel New Channel Old Power New Power Reason -----  
----- 2015-1-28 07:58:53 157+ 149+ 21 21 I 2015-1-28 07:52:06 149+ 157+ 21 21 M 2015-1-28 07:16:59 157+ 149+ 21  
21 I
```

Interface :wifi1 ARM History

```
Time of Change Old Channel New Channel Old Power New Power Reason -----  
----- 2015-1- 28 08:52:53 6 1 21 21 I Referring to the output above. What can you conclude about AP1?
```

- A. This device is scanning channels.
- B. This device is unstable because the channel assignment changed.
- C. The device changed channels recently.
- D. The device changed channels and power levels recently.
- E. The device is transmitting at maximum power levels.

Correct Answer: C

QUESTION 6

An AP135 has been configured with 3 SSIDs supported on both 2.4Ghz and 5Ghz bands. How many GRE tunnels will be created between the AP 135 and the controller?

- A. 3
- B. 4
- C. 6
- D. 7
- E. 8

Correct Answer: D

QUESTION 7

Which of the following commands is most useful in showing the traffic of an individual user?

- A. show datapath session table



- B. show acl hits
- C. show rights
- D. show firewall
- E. show traffic client

Correct Answer: A

QUESTION 8

An Aruba based network has a Master and four local controllers deployed. But one of the locals, a new installation, is not seen by the Master. What might be wrong? (Choose two.)

- A. PAPI is not enabled on the local controller.
- B. The master controller can only support three local controllers.
- C. IPSec is blocked by the internal network between the local and the master controllers.
- D. The passphrase does not match on the master and local controllers.
- E. GRE is blocked between the master and local controllers.

Correct Answer: CD

QUESTION 9

How is an AP redirected to a Local controller after DNS resolution returns the Master's IP address?

- A. Master looks at the AP-Group and CONTROLLER-IP attributes
- B. Master looks at the AP-Group and LMS-IP attributes
- C. In the AP-provisioning screen, the LMS-IP attribute must be set
- D. The AP must be statically configured to find the local controller
- E. In the AP-provisioning screen, set the CONTROLLER-IP attribute

Correct Answer: B

QUESTION 10

Referring to the above screen capture, if an administrator desires to change a specific AP into a Spectrum Monitor without assigning the AP to a new group, which menu could be used?



WIZARDS

AP

Controller

Campus WLAN

Remote AP

WIP

AirWave

NETWORK

> **Controller**

VLANs

Ports

Uplink

IP

SECURITY

Authentication

Access Control

WIRELESS

AP Configuration

AP Installation

MANAGEMENT

General

Administration

Certificates

SNMP

Logging

Clock

Guest Provisioning

Captive Portal

SMTP

Bandwidth Calculator

Threshold

ADVANCED SERVICES

Redundancy

IP Mobility

Stateful Firewall

External Services

VPN Services

Wired Access

A. Network > Controller

B. Wireless > AP Configuration



C. Wireless > AP Installation

D. Advanced Services > Wireless

E. Wizards > WIP Wizard

Correct Answer: B

QUESTION 11

When configuring split tunnel mode on a Remote AP (RAP) where is the routing function for the split tunnel defined?

A. On the IP routing tab in the configuration screen.

B. On the AP provisioning screen.

C. In the RAP static routing tables

D. In the Firewall policy

E. In the RAP whitelist

Correct Answer: D

QUESTION 12

Which of the following will occur if a master license server fails with no standby server present? (Choose two)

A. Local controllers licenses will continue to be valid for 30 days

B. Local controllers will immediately remove all installed licenses

C. No licenses will be sent to any new controllers that come online

D. All licenses go back into the pool for redistribution

E. A Local Controller elects itself master license server

Correct Answer: AC

QUESTION 13

In a master-local controller scenario, where is the mobility domain defined?

A. the AP group

B. the master controller

C. the local controller

D. the master and the local controllers



E. the master and the local controllers where roaming is needed

Correct Answer: B

QUESTION 14

When configuring Fast Failover what are the 3 HA roles that can be selected? (Choose three)

- A. Primary
- B. Active
- C. Dual
- D. Standby
- E. Backup

Correct Answer: BCD

QUESTION 15

Which describe "roles" as used on Aruba Mobility Controllers? (Choose two)

- A. Roles are assigned to users.
- B. Roles are applied to interfaces.
- C. Policies are built from roles.
- D. A user can belong to only one role at a time.
- E. Roles are a set of authentication rules

Correct Answer: AD

[Latest ACMP 6.4 Dumps](#)

[ACMP 6.4 VCE Dumps](#)

[ACMP 6.4 Practice Test](#)