

100% Money Back Guarantee

Vendor: HP

Exam Code: HP0-Y43

Exam Name: Implementing HP Network Infrastructure Solutions Exam

Version: Demo

QUESTION 1

A customer requires an HP FlexCampus solution with a core that scales to 40/100G. Which HP switch fabric meets this need?

- A. the 7500's CLOS switch fabric
- B. the 10500's CLOS switch fabric
- C. the 7500's crossbar switch fabric
- D. the 10500's crossbar switch fabric

Correct Answer: B

QUESTION 2

What is the role of neighbor solicitation (NS) messages in the autoconfiguration of an IPv6 address?

- A. An IPv6 node sends an NS message to inform a node undergoing autoconfiguration that it is already using a particular address.
- B. An IPv6 node sends an NS message for its tentative address to determine whether another node is using it.
- C. An IPv6 node sends an NS message for the global prefix to prompt other IPv6 nodes to advertise the addresses that they are using on that prefix.
- D. An IPv6 node sends an NS message to prompt an IPv6 router on the link to advertise the global prefixes associated with the link immediately.

Correct Answer: B

QUESTION 3

Which switch is best suited to act at the edge of a medium to large HP FlexFabric solution?

- A. 10500
- B. 5500
- C. 9500
- D. 5830

Correct Answer: D

QUESTION 4

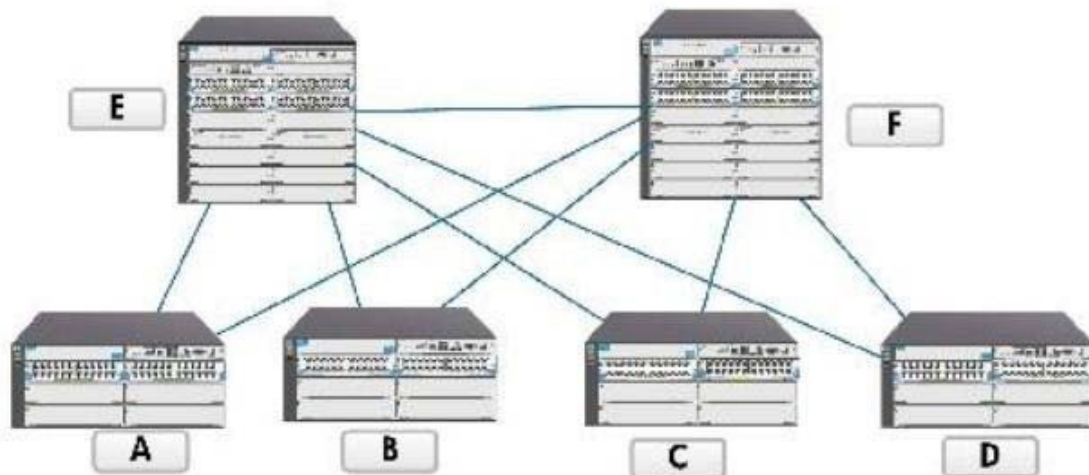
How can a high density of ports and high throughput at the core of an HP FlexNetwork save customers money?

- A. Intelligence is offloaded from the edge switches, enabling customers to save money on the most numerous switches in their solutions.
- B. The customer can combine the data center and campus LAN core into a single entity, reducing power and cooling costs.
- C. The customer no longer needs to deploy modular switches at the distribution level and the edge, deploying more cost-effective stackable switches instead.
- D. The architecture can be simplified, eliminating expensive distribution devices and reducing power and cooling costs.

Correct Answer: D

QUESTION 5

View the exhibit. The exhibit shows a network with HP 5400 zl and 8200 zl switches throughout the core and edge. What is one advantage of implementing routing on edge switches?



- A. Typically, it is easier to implement user-based VLAN assignments.
- B. The topology has higher redundancy because edge switches can take over routing roles when necessary.
- C. Typically, the network can use fewer total VLANs when edge switches implement routing.
- D. Typically, it is easier to ensure that routed links between edge and core switches are fully utilized.

Correct Answer: D

QUESTION 6

A company has a network that includes HP 5800 and 12500 switches. Usage demands on the company's FTP servers have increased, causing performance issues during peak usage times. While analyzing link utilization, the network administrator noticed that the most heavily utilized links experience bursts of congestion, causing them to drop traffic. The links then experience brief periods of low utilization followed by another burst of congestion. This pattern continues periodically throughout the peak utilization time.

What should the network administrator do to attempt to create a more efficient traffic pattern on these links?

- A. Configure an outbound traffic policing policy on the ports in question, setting the CIR at about sixty percent of the ports' capacity and the PIR at about eighty percent.
- B. Apply Weighted Fair Queuing (WFQ) or Weighted Round Robin (WRR) scheduling in preference to Strict Priority (SP) scheduling on the ports in question.
- C. Configure inbound traffic policing policies on ports at the core, setting the CIR at about sixty percent of the ports' capacity and the PIR at about eighty percent. Apply outbound generic traffic shaping (GTS) on ports facing the core ports, setting the CIR equal to the CIR on the core ports.
- D. Apply a WRED table to the ports in question, optionally adjusting the table values to drop lower priority traffic first.

Correct Answer: D

QUESTION 7

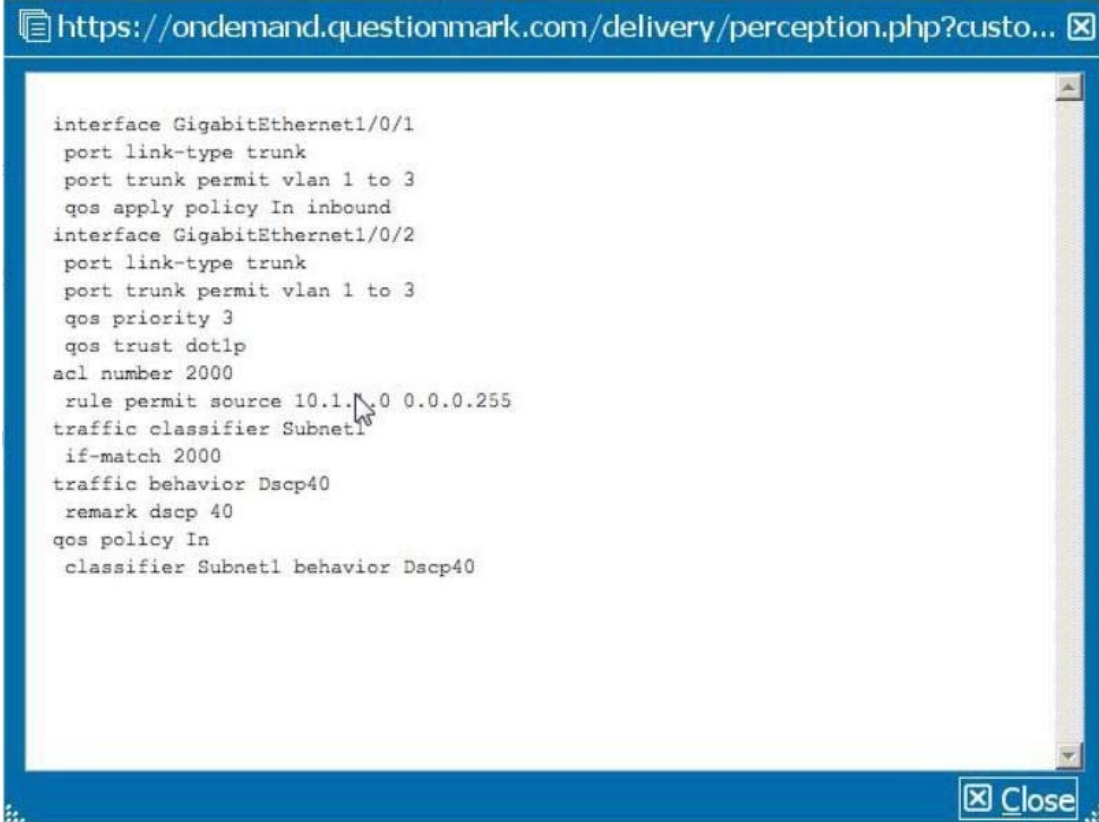
View the exhibits.

Exhibit 1

The frame has these characteristics:

- VLANID = 3
- 802.1p = 3
- DSCP=32
- Source IP address = 10.1.1.5

Exhibit 2



```
interface GigabitEthernet1/0/1
port link-type trunk
port trunk permit vlan 1 to 3
qos apply policy In inbound
interface GigabitEthernet1/0/2
port link-type trunk
port trunk permit vlan 1 to 3
qos priority 3
qos trust dot1p
acl number 2000
rule permit source 10.1.1.0 0.0.0.255
traffic classifier Subnet1
if-match 2000
traffic behavior Dscp40
remark dscp 40
qos policy In
classifier Subnet1 behavior Dscp40
```

The frame shown in Exhibit 1 arrives on an HP 5800 switch's Gigabit Ethernet port 1/0/1. QoS maps are at their default settings. Based on the configuration shown in Exhibit 2, to which queue is the outbound packet assigned?

- A. 2
- B. 3
- C. 4
- D. 5

Correct Answer: D

QUESTION 8

View the exhibit. A network administrator wants to configure an HP 5800 switch to place all incoming traffic on the Gigabit Ethernet 1/0/1 port in priority queue 3. However, one exception applies. All traffic incoming on that port that is destined to UDP port 55555 should be forwarded in priority queue 4 and marked with DSCP 32. Based on the current configurations shown in the exhibit, which further steps must the network administrator perform? (Select two.)

```
acl number 3000
 rule permit udp destination-port eq 55555
 traffic classifier ClassA
  if-match acl 3000
 traffic behavior DSCP32
  remark dscp 32
 traffic behavior Ip4
  remark Ip 4
 qos policy Policy1
  classifier ClassA behavior DSCP32
 qos policy Policy2
  classifier ClassA behavior Ip4
 interface GigabitEthernet1/0/1
  qos trust dot1p
  qos priority 3
```

- A. Configure port Gigabit Ethernet 1/0/1 to trust DSCP
- B. Apply QoS policy Policy1 as an inbound policy on port Gigabit Ethernet 1/0/1
- C. Apply QoS policy Policy2 as an inbound policy on port Gigabit Ethernet 1/0/1
- D. Create a OoS Ip-dscp map that maps Ip value 4 to DSCP02
- E. Undo OoS trust on port Gigabit Ethernet 1/0/1

Correct Answer: BE

QUESTION 9

A company has a service level agreement (SLA) with its service provider. The SLA specifies a 2 Mbps committed information rate (CIR) and 20 KB committed burst size (CBS). Lately, during peak usage times, the company has been experiencing brief periods of poor performance on its external connection (Gigabit Ethernet port 2/0/1 on an HP 5800 switch). How can the network administrator configure the Comware switch to address this problem?

- A. Configure a traffic classifier that selects all traffic and a car traffic behavior that sets the CIR to 2 Mbps and the CBS to 20 KB. Create a QoS policy that maps the classifier to the action and apply this policy as an inbound policy on port Gigabit Ethernet 2/0/1.
- B. Enable Strict Priority (SP) scheduling on port Gigabit Ethernet 2/0/1 and ensure that all inbound traffic is marked with the correct priority.
- C. Configure generic traffic shaping (GTS) on the Gigabit Ethernet port 2/0/1, setting the CIR to 2 Mbps and the CBS to 20 KB.
- D. Configure a traffic classifier that selects all traffic and a car traffic behavior that sets the CIR to 2 Mbps and the CBS to 20 KB. Create a OoS policy that maps the classifier to the action and apply this policy as an outbound policy on port Gigabit Ethernet 2/0/1.

Correct Answer: C

QUESTION 10

A network includes a mix of IGMPv2 and IGMPv3 endpoints and must support the following source specific multicasting applications:

- Source: 10.1.4.2 and Group: 232.0.5.5
- Source: 10.1.4.12 and Group 232.0.6.6

The network is already implementing PIM-SM and IGMPv3. In order to support these applications, the HP 10500 switches that act as routers for the endpoints in question must support another feature. Which step must the network administrator perform on each of these switches?

- A. Create an SSM policy that includes 232.0.5.5 and 232.0.6.6 within its range
- B. Enable IGMPv2 backward compatibility mode
- C. Configure two SSM maps, each of which maps a source to its multicast group
- D. Enable PIM SSM on the interfaces that connect to the endpoints

Correct Answer: C

QUESTION 11

View the exhibit. PIM-SM is configured on each interface in the network and IGMP is enabled on VLAN 3 and VLAN 4, as shown in Exhibit 1. Each switch has a rendezvous point (RP) set and valid unicast routes, as shown in Exhibit 2. The network administrator configures an endpoint connected to VLAN4 to begin listening on 239.255.1.1 to verify if multicast routing configuration is established correctly. The network is not live, meaning no other hosts are sending IGMP requests. The network administrator then checks PIM routing entries on the switches to verify if the system is functioning correctly. On which switches should (*, 239.255.1.1) entries appear if the system is functioning correctly?

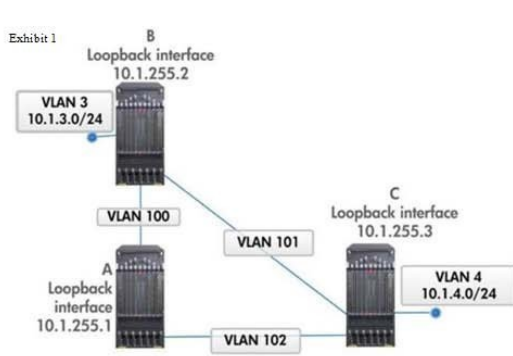


Exhibit 2

https://ondemand.questionmark.com/delivery/perception.php?custo...

Routing switch A, B, and CRP set

PIM-DM static RP information:
Static RP: 10.1.255.2

Routing switch A routing table

Destination/Mask	Proto	Pre	Cost	NextHop	Interface
10.1.3.0/24	OSPF	10	110	10.1.100.2	Vlan100
10.1.4.0/24	OSPF	10	110	10.1.102.2	Vlan102
10.1.100.1/32	Direct	0	0	127.0.0.1	InLoop0
10.1.100.0/24	Direct	0	0	10.1.100.1	Vlan100
10.1.102.1/32	Direct	0	0	127.0.0.1	InLoop0
10.1.102.0/24	Direct	0	0	10.1.102.1	Vlan102
10.1.255.1/32	Direct	0	0	127.0.0.1	InLoop0
10.1.255.2/32	OSPF	10	10	10.1.100.2	Vlan100
10.1.255.3/32	Direct	10	10	10.1.102.2	Vlan100
127.0.0.0/8	Direct	0	0	127.0.0.1	InLoop0
127.0.0.1/32	Direct	0	0	127.0.0.1	InLoop0

Routing switch B routing table

Destination/Mask	Proto	Pre	Cost	NextHop	Interface
10.1.3.1/24	Direct	0	0	127.0.0.1	InLoop0
10.1.3.0/24	Direct	0	0	10.1.3.1	Vlan3
10.1.4.0/24	OSPF	10	120	10.1.100.1	Vlan100
10.1.100.2/32	Direct	0	0	127.0.0.1	InLoop0
10.1.100.0/24	Direct	0	0	10.1.100.2	Vlan100
10.1.101.2/32	Direct	0	0	127.0.0.1	InLoop0
10.1.101.0/24	Direct	0	0	10.1.101.2	Vlan101
10.1.255.1/32	OSPF	10	10	10.1.100.1	Vlan100
10.1.255.2/32	Direct	0	0	127.0.0.1	InLoop0
10.1.255.3/32	OSPF	10	20	10.1.100.1	Vlan100
127.0.0.0/8	Direct	0	0	127.0.0.1	InLoop0
127.0.0.1/32	Direct	0	0	127.0.0.1	InLoop0

Routing switch C routing table

Destination/Mask	Proto	Pre	Cost	NextHop	Interface
10.1.3.0/24	OSPF	10	120	10.1.120.1	Vlan102
10.1.4.1/24	Direct	0	0	127.0.0.1	InLoop0
10.1.4.0/24	Direct	0	0	10.1.4.1	Vlan4
10.1.101.1/32	Direct	0	0	127.0.0.1	InLoop0
10.1.101.0/24	Direct	0	0	10.1.101.1	Vlan101
10.1.102.2/32	Direct	0	0	127.0.0.1	InLoop0
10.1.102.0/24	Direct	0	0	10.1.102.2	Vlan102
10.1.255.1/32	OSPF	10	10	10.1.102.1	Vlan102
10.1.255.2/32	OSPF	10	20	10.1.102.1	Vlan102
10.1.255.3/32	Direct	0	0	127.0.0.1	InLoop0
127.0.0.0/8	Direct	0	0	127.0.0.1	InLoop0
127.0.0.1/32	Direct	0	0	127.0.0.1	InLoop0

- A. switch B only
- B. switch C only
- C. switches B and C only
- D. switches A, B, and C

Correct Answer: D

QUESTION 12

View the exhibit. A host connected to routing switch A joins group 239.0.0.1. Which switch does routing switch A select as the RP?

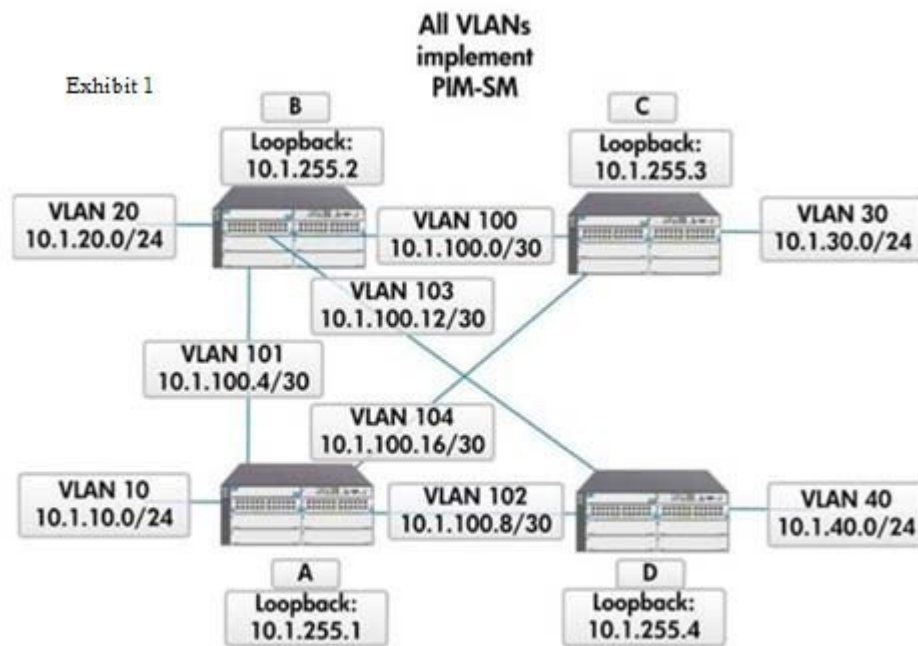


Exhibit 2

```

https://ondemand.questionmark.com/delivery/perception.php?custo...
A# show ip pim rp-set
Status and Counters - PIM-SM Static RP-Set Information
  Group Address   Group Mask   RP Address   Override
  -----
  239.0.0.0      255.255.255.0 10.1.20.1   Yes
Status and Counters - PIM-SM Learner RP-Set Information
  Group Address   Group Mask   RP Address   Hold Time  Expire Time
  -----
  224.0.0.0      248.0.0.0   10.1.10.1   150        92
  232.0.0.0      248.0.0.0   10.1.30.1   150        92
  239.0.0.0      255.0.0.0   10.1.40.1   150        92
    
```

- A. Routing switch D
- B. Routing switch C
- C. Routing switch B
- D. Itself

Correct Answer: C

QUESTION 13

A network uses PIM-DM to route multicast traffic. The network administrator has noticed bursts of congestion related to periodic floods of multicast traffic. How can the administrator eliminate these periodic bursts?

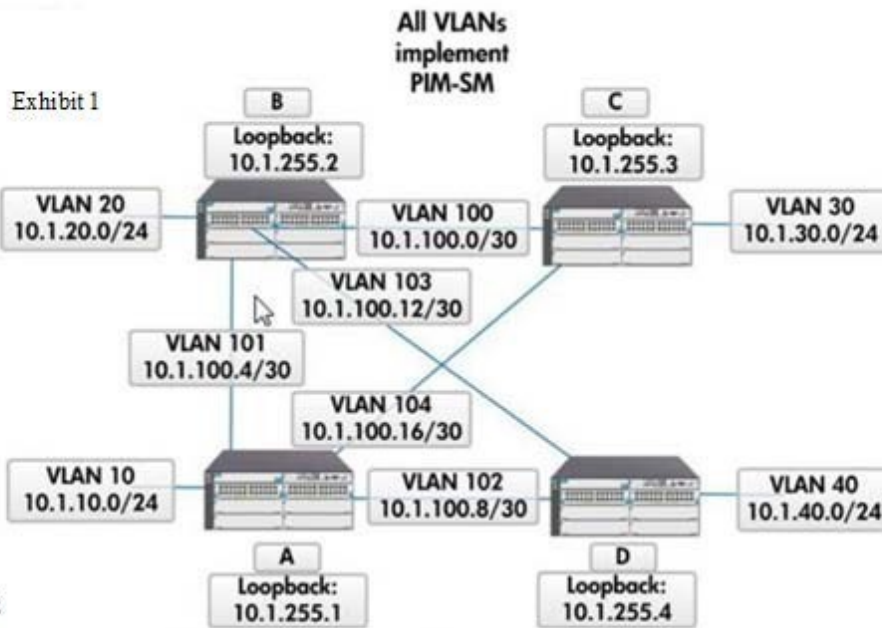
- A. Leave PIM-DM enabled on the interfaces that face receivers, but enable PIM-SM throughout the core.
- B. Decrease the PIM hello timer on VLAN interfaces on which PIM-DM is enabled.
- C. Decrease the IGMP robustness variable on VLAN interfaces that connect to receivers.
- D. Enable the state refresh feature on the VLAN interfaces on which PIM-DM is enabled.

Correct Answer: D

QUESTION 14

View the exhibit. All switches shown in Exhibit 1 are HP Provision ASIC switches, which are implementing IGMP and multicast routing with PIM. Routing switch B has just received the message shown in Exhibit 2 from routing switch A. What can the network administrator assume?

www.Pass4itSure.com



```

https://ondemand.questionmark.com/delivery/perception.php?custo...

Message
+ Internet Protocol, Src Addr: 10.1.100.6 (10.1.100.6), Dst Addr: 10.1.100.5 (10.1.100.5)
- Protocol Independent Multicast
  Version: 2
  Type: Graft (6)
  Checksum: Dxabec (correct)
  - PIM parameters
    Upstream-neighbor: 10.1.100.5
    Groups: 1
    Holdtime: 0
    - Group 0: 239.0.0.1/32
      - Join: 1
        IP address: 10.1.20.10/32
        Prune: 0
  
```

- A. Routing switch B is responding to routing switch A's state refresh inquiry.
- B. A host connected to routing switch B has joined the 239.0.0.1 group, and routing switch B wants to join the RP tree for this group.
- C. Previously, routing switch B did not require 239.0.0.1 multicasts, but it now does due to a change in topology or IGMP reports.
- D. A new multicast source for 239.0.0.1 has begun to transmit in a VLAN connected to routing switch B.

Correct Answer: B

QUESTION 15

View the exhibit. An HP 5400 zl switch implements the configuration shown in the exhibit. However, when the network administrator tests the configuration, endpoints in VLAN 10 do not obtain global IPv6 addresses. What might be causing this issue?

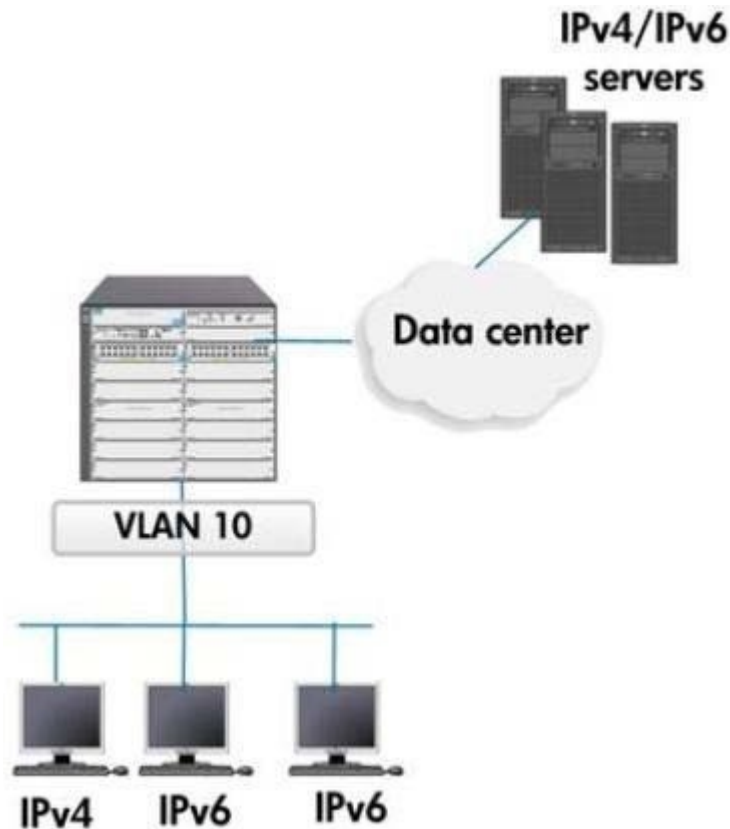
```
vlan 10
  name "VLAN10"
  untagged A1-A24
  ipv6 address 2001:DB8:A::1/64
  ipv6 nd ra managed-config-flag
  ipv6 nd ra other-config-flag
  no ip address
  exit
ipv6 unicast-routing
```

- A. The switch is suppressing router advertisement (RA) suppression on the VLA.N.
- B. The switch has not been enabled for IPv6 globally.
- C. The switch is not implementing DHCPv6 relay.
- D. The switch is not configured to advertise the correct prefix.

Correct Answer: C

QUESTION 16

View the exhibit. A site features both IPv6 and IPv4 endpoints and IPv4 and IPv6 capable servers in the data center, as shown in the exhibit. How can the network administrator configure the HP 8200 zl switch at the core to work in this environment?



- A. Configure IPv4 and IPv6 addresses on VLAN 10 and set up IPv4 and IPv6 routing solutions
- B. Configure a static IPv6 over IPv4 tunnel between the campus LAN and the data center
- C. Configure the switch to communicate with a Teredo broker on VLAN 10
- D. Configure ISATAP tunnels in VLAN 10 and set up IPv4 and IPv6 routing solutions

Correct Answer: D

QUESTION 17

Two HP 7500 switches, switch A and switch B, are implementing VRRP in VLAN 2 (VRID 2) and in VLAN 3 (VRID 3). Switch A is currently the master in both VRIDs. The network administrator enables load balancing on both VRIDs on both switches. Which statement describes an effect of these commands?

- A. Switch A becomes master in one VRID, and switch B becomes master in the other VRID.
- B. Switch B requests and receives its own virtual MAC address in both VRIDs from switch A.
- C. Switch A and switch B respond to ARP requests in both VLANs.
- D. Switch A and switch B send out standard VRRP advertisements in both VLANs.

Correct Answer: B

QUESTION 18

Which type of IPv6 over IPv4 tunnel protocol on an HP 12500 switch requires that you specify a destination?

- A. IPv6 over IPv4
- B. ISATAP
- C. IPv6 over IPv4 auto (or IPv4-compatible)
- D. 6 to 4

Correct Answer: A

QUESTION 19

A network administrator enabled IPv6 on an HP 7500 switch and configured VLAN interface 10 with a link-local and global IPv6 address 2001:DB8:1:10::1/64. The network administrator now wants IPv6-capable endpoints connected to VLAN 10 to receive IPv6 addresses using stateless autoconfiguration. Which step must the network administrator complete on the 7500 switch?

- A. Set the managed configuration flag in RA messages.
- B. Configure DHCPv6 relay on VLAN interface 10.
- C. Re-enable RA messages on VLAN interface 10.
- D. Configure the VLAN 10 interface to advertise prefix 2001:DB8:1:10::/64.

Correct Answer: C

www.Pass4itSure.com

QUESTION 20

View the Exhibit. A network administrator configures VRRP on two HP 5800 switches, as shown in the exhibit. VRRP settings not shown in the running-config are at their default settings. Which statement accurately describes the VRRP group?

Switch A partial running-config

```
interface Vlan-interface1
 ip address 10.1.1.1 255.255.255.0
 vrrp vrid 1 virtual-ip 10.1.1.1
```

Switch B partial running-config

```
interface Vlan-interface1
 ip address 10.1.1.2 255.255.255.0
 vrrp vrid 1 virtual-ip 10.1.1.1
 vrrp vrid 1 priority 110
```

- A. Switch A has effective priority 255 and always acts as master when it is up.
- B. Switch B acts as Master when it is up. However, if switch B fails and comes back up, switch A remains master.
- C. Switch B has effective priority 110 and always acts as master when it is up.
- D. Switch A acts as master when it is up. However, if switch A fails and comes back up, switch B remains master.

Correct Answer: A

QUESTION 21

View the exhibit. Based on the information provided in the exhibit, which IP address should this switch use as its router ID for OSPF?

```
interface LoopBack0
 ip address 10.1.1.5 255.255.255.255
#
interface Vlan-interface1
 ip address 10.1.0.3 255.255.255.0
#
interface Vlan-interface2
 ip address 10.2.0.4 255.255.255.0
#
interface Vlan-interface3
 ip address 10.1.255.2 255.255.255.252
```

- A. 10.1.1.6
- B. 10.2.0.4
- C. 10.1.255.2
- D. 10.1.0.3

Correct Answer: A

QUESTION 22

What are functions of Type 9 LSAs in OSPFv3? (Select two.)

- A. They enable the graceful restart of the OSPFv3 process.
- B. They provide addressing information for links advertised in Type 1 and 2 LSAs.
- C. They can trigger OSPF routing devices to run the shortest path first (SPF) algorithm again.
- D. They advertise the prefixes for stub networks.
- E. They help OSPF routing devices maintain their neighbors' state during the exchange of database information.

Correct Answer: BD

QUESTION 23

A network administrator is configuring OSPF on an HP 5400 zl switch and has enabled OSPF globally. What is the minimum configuration required for the switch to begin sending OSPF hellos on a VLAN interface? (Select two.)

- A. Assign the VLAN to an area.
- B. Set the OSPF version.
- C. Create an area globally.
- D. Assign the switch an OSPF router ID.
- E. Create a loopback interface.

Correct Answer: AC

QUESTION 24

View the exhibit. Part of an OSPF routing table in an HP 5800 switch is shown in the exhibit. This switch is an internal switch in area 1. The network administrator views this routing table, and then reconfigures area 1 as a stub area on all relevant switches. No other changes to the OSPF domain are made. After this change takes effect, which routes shown in the exhibit will still exist in the OSPF routing table of this switch?

Destination	Cost	Type	NextHop	AdvRouter	Area
10.1.1.0/30	10	Transit	10.1.1.10	10.1.255.2	0.0.0.1
10.1.10.0/24	110	Stub	10.1.1.5	10.1.255.3	0.0.0.1
10.2.30.0/24	211	Inter	10.1.1.5	10.1.255.3	0.0.0.1

Routing for ASEs					
Destination	Cost	Type	Tag	NextHop	AdvRouter
172.16.0.0/16	1	Type2	1	10.1.1.5	10.0.255.4

- A. All of the routes will still exist.
- B. Only the routes to 10.1.1.0/30, 10.1.10.0/24, and 10.2.30.0/24 will still exist.
- C. Only the routes to 10.1.1.0/30, 10.1.10.0/24, and 172.16.0.0/16 will still exist.
- D. Only the routes to 10.1.1.0/30 and 10.1.10.0/24 will still exist.
- E. Only the route to 10.1.10.0/24 will still exist.

Correct Answer: B

QUESTION 25

View the exhibit. The HP 5406 zl switch configured with the VLANs shown in the exhibit receives a packet on a port that is an untagged member of VLAN 101. The packet is tagged with VLAN 20. What will the switch do?

```

HP 5406 z1 Switch(config)# show vlans
Status and Counters - VLAN Information
Maximum VLANs to support : 256
Primary VLAN : Default_VLAN
Management VLAN : VLAN-100

```

VLAN ID	Name	Type	Status	Voice	Jumbo
1	DEFAULT_VLAN	CVLAN	Port-based	No	Yes
10	Vlan-10	CVLAN	Port-based	No	Yes
100	Vlan-100	CVLAN	Port-based	No	Yes
101	Vlan-101	SVLAN	Port-based	No	Yes
102	Vlan-102	SVLAN	Port-based	No	Yes

- A. The switch will insert another 802.1Q field and forward the packet.
- B. The switch will drop the packet because the port must be a tagged member of VLAN 20.
- C. The switch will drop the packet because the port must be a member of a C-VLAN.
- D. The switch will remove the 802.1Q field and forward the packet.

Correct Answer: A

QUESTION 26

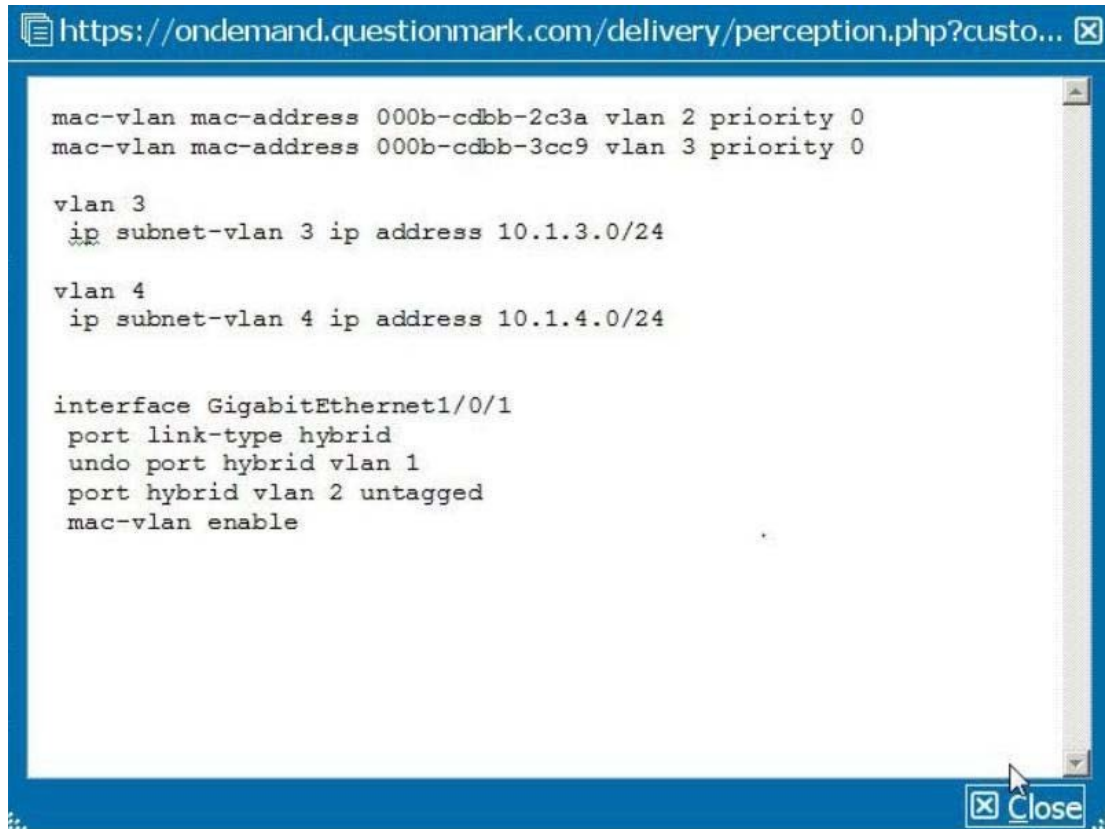
View the exhibits.

Exhibit 1

The frame has these characteristics:

- VLAN tag: 2
- Source MAC address: 000b-cdbb-3cc9
- Source IP address: 10.1.4.12

Exhibit 2



```
mac-vlan mac-address 000b-cdbb-2c3a vlan 2 priority 0
mac-vlan mac-address 000b-cdbb-3cc9 vlan 3 priority 0

vlan 3
 ip subnet-vlan 3 ip address 10.1.3.0/24

vlan 4
 ip subnet-vlan 4 ip address 10.1.4.0/24

interface GigabitEthernet1/0/1
 port link-type hybrid
 undo port hybrid vlan 1
 port hybrid vlan 2 untagged
 mac-vlan enable
```

The frame shown in Exhibit 1 arrives on port Gigabit Ethernet 1/0/1 on an HP 5800 switch. Based on the configuration shown in Exhibit 2, which statements are true? (Select two.)

- A. The switch assigns the frame to VLAN 1.
- B. The switch assigns the frame to VLAN 2.
- C. The switch assigns the frame to VLAN 3.
- D. The switch assigns the frame to VLAN 4.
- E. The switch forwards the frame.
- F. The switch drops the frame.

Correct Answer: CE

QUESTION 27

A service provider has configured an HP 5406 zl switch to support QinQ in mixed mode. Port A1 is a member of C-VLAN 100. Which usage is supported by this configuration?

- A. Port A1 is an uplink port that forwards the customer's tunneled traffic to another switch in the service provider's network.
- B. Port A1 is connected to a customer's switch, and the switch tunnels all VLAN traffic received on this port through the service provider's network.
- C. Port A1 is connected to a device in the service provider's network and transmits traffic to and from that device.

- D. Port A1 is connected to a customer's switch, and the switch tunnels C-VLAN 100 traffic received on this port through the service provider's network.

Correct Answer: C

QUESTION 28

A company manages thousands of network infrastructure devices from several vendors with HP Intelligent Management Center (IMC). What advantage does the HP IMC distributed deployment model provide for this company?

- A. The master server manages HP network infrastructure devices; slave servers manage non-HP devices.
- B. The master server maintains the embedded database and Web browser interface; slave servers implement management functions.
- C. A slave server duplicates the exact functions and database maintained on the master server and acts as a passive standby in case the master fails.
- D. The slave servers offload some of the components from the master server to enhance performance.

Correct Answer: D

QUESTION 29

A company campus LAN requires high availability, so all edge switches have redundant links to the core. As part of the high availability design, all switches implement Multiple Spanning Tree Protocol (MSTP), and the core switches implement Virtual Router Redundancy Protocol (VRRP). Protocols are implemented to use links in the most efficient manner. What is the purpose of the link between the core switches during normal operation (when all links are up)?

- A. The link acts as a backup link, blocked by MSTP in each instance but ready to transition to the forwarding state if necessary.
- B. The link carries any traffic that arrives on the VRRP Backup to the VRRP Master.
- C. The link does not carry any traffic but remains in forwarding state, ready to act as a backup in case another link fails.
- D. The link carries VRRP messages between the VRRP Master and Backup on all VLANs.

Correct Answer: D

To Read the [Whole Q&As](#), please purchase the [Complete Version](#) from [Our website](#).

Trying our product !

- ★ **100%** Guaranteed Success
- ★ **100%** Money Back Guarantee
- ★ **365 Days** Free Update
- ★ **Instant Download** After Purchase
- ★ **24x7** Customer Support
- ★ Average **99.9%** Success Rate
- ★ More than **69,000** Satisfied Customers Worldwide
- ★ Multi-Platform capabilities - **Windows, Mac, Android, iPhone, iPod, iPad, Kindle**

Need Help

Please provide as much detail as possible so we can best assist you.

To update a previously submitted ticket:



 One Year Free Update Free update is available within One Year after your purchase. After One Year, you will get 50% discounts for updating. And we are proud to boast a 24/7 efficient Customer Support system via Email.	 Money Back Guarantee To ensure that you are spending on quality products, we provide 100% money back guarantee for 30 days from the date of purchase.	 Security & Privacy We respect customer privacy. We use McAfee's security service to provide you with utmost security for your personal information & peace of mind.
---	---	--

Guarantee & Policy | Privacy & Policy | Terms & Conditions

Any charges made through this site will appear as Global Simulators Limited.

All trademarks are the property of their respective owners.