

Exam : **HP0-045**

Title : Supporting the ESL
E-Series Lobraries

Version : DEMO

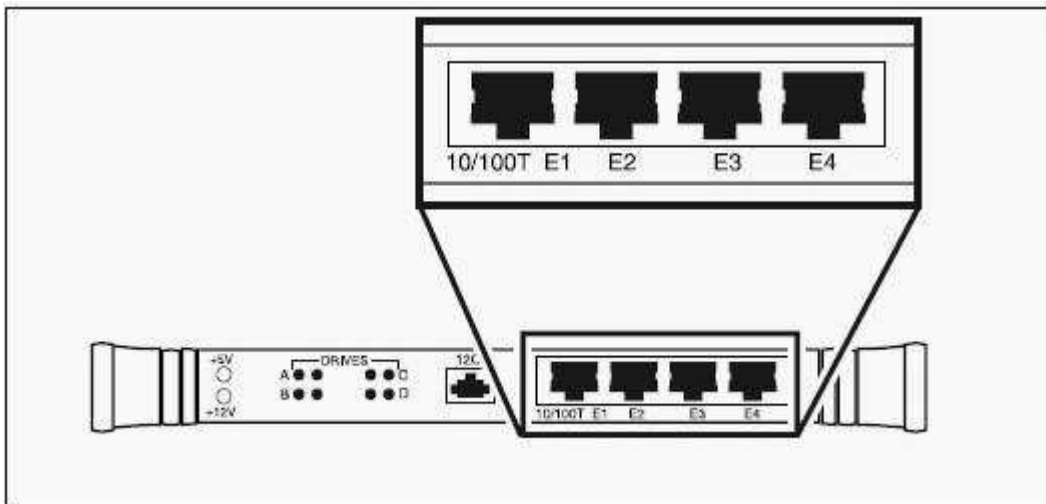
www.Pass4itSure.com

1. What is required to access the Advanced Secure Manager features in Command View ESL?

- A. the appropriate license key
- B. valid user access permissions
- C. a special administrator password
- D. a suitable advanced user account

Correct: A

2. Click the Exhibit button. Which component is connected to port E1 of the cluster controller if it is in drive cluster 0?



- A. cabinet controller
- B. interface controller
- C. lower cluster controller
- D. Interface Manager card

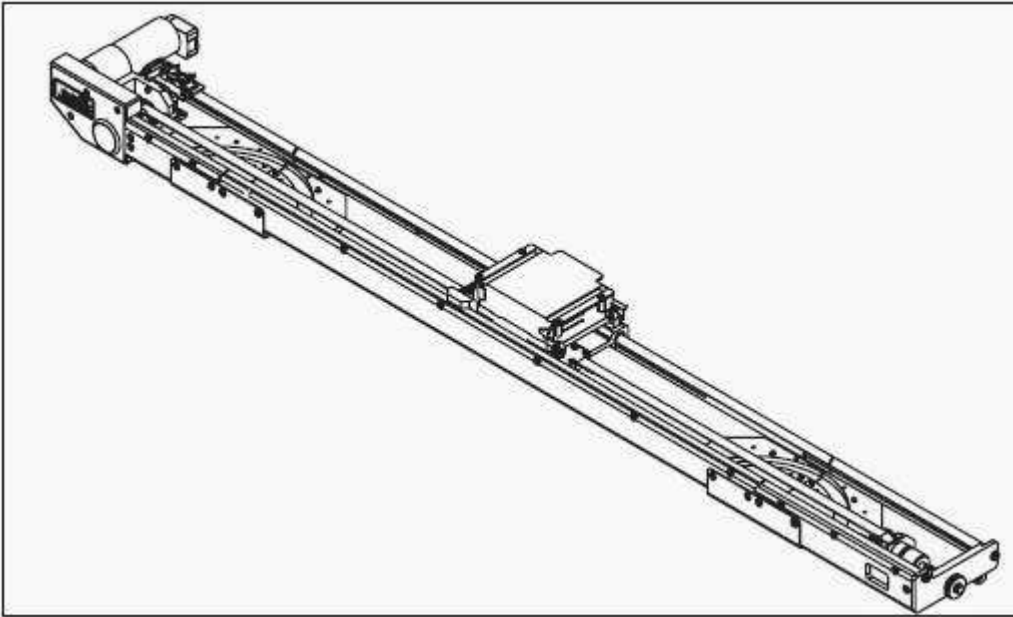
Correct: A

3. What does the OCP display when a library hangs because there are more than one hundred unlabeled tape cartridges in the library?

- A. Error 22
- B. Please wait
- C. Going on line
- D. Inventory failure

Correct: C

4. Click the Exhibit button. Which tape library component (used to carry data cartridges to a secondary cabinet) is shown on the figure?



- A. CLM arm
- B. CLM controller
- C. picker assembly
- D. cartridge transfer robot

Correct: A

5. Which scheme is used in the command line interface for drive and slot numbers in ESL E-Series tape libraries?

- A. 0 based
- B. 1 based
- C. 2 based
- D. Hex based

Correct: B

6. Which port number is required when starting a Command View TL session?

- A. 2301
- B. 4095
- C. 4444
- D. 5555

Correct: B

7. You are performing a firmware upgrade using Command View TL and a Telnet session terminates it prematurely. What is the most likely outcome?

- A. The Telnet session is automatically aborted.
- B. Telnet automatically aborts the other session, but the upgrade continues.
- C. Command View TL takes precedence and continues the firmware upgrade.
- D. The firmware upgrade aborts and the device being upgraded may need physical repair.

Correct: D

8. What does the cabinet controller assembly of an ESL E-Series tape library provide a SCSI interface to?

- A. tape devices

B.library robotics C.management
interface card D.e2400-160

Interface Controller **Correct:B**

9.Which capabilities of a TCP/IP connection are delivered by the Simple Internet Protocol Plus (SIPP)?

- A.small packets and ECC
- B.error handling and retries
- C.increased bandwidth and performance
- D.faster command propagation on inexpensive copper interconnect

Correct:B

10.For which connection, other than the cabinet controller, is the I2C network cable used?

- A.external LANs
- B.cluster controllers
- C.interface management cards
- D.Fibre Channel interface controllers

Correct:B

www.Pass4itSure.com

Trying our product !

- ★ **100%** Guaranteed Success
- ★ **100%** Money Back Guarantee
- ★ **365 Days** Free Update
- ★ **Instant Download** After Purchase
- ★ **24x7** Customer Support
- ★ Average **99.9%** Success Rate
- ★ More than **69,000** Satisfied Customers Worldwide
- ★ Multi-Platform capabilities - **Windows, Mac, Android, iPhone, iPod, iPad, Kindle**

Need Help

Please provide as much detail as possible so we can best assist you.

To update a previously submitted ticket:



Submit A Ticket

One Year Free Update



Free update is available within One Year after your purchase. After One Year, you will get 50% discounts for updating. And we are proud to boast a 24/7 efficient Customer Support system via Email.



Money Back Guarantee

To ensure that you are spending on quality products, we provide 100% money back guarantee for 30 days from the date of purchase.



Security & Privacy

We respect customer privacy. We use McAfee's security service to provide you with utmost security for your personal information & peace of mind.

Guarantee & Policy | Privacy & Policy | Terms & Conditions

Any charges made through this site will appear as Global Simulators Limited.

All trademarks are the property of their respective owners.

Copyright © 2004-2014, All Rights Reserved.