



830-01^{Q&As}

RCPE Certified Professional WAN Optimization

Pass Riverbed 830-01 Exam with 100% Guarantee

Free Download Real Questions & Answers **PDF** and **VCE** file from:

<https://www.pass4itsure.com/830-01.html>

100% Passing Guarantee
100% Money Back Assurance

Following Questions and Answers are all new published by Riverbed
Official Exam Center

-  **Instant Download** After Purchase
-  **100% Money Back** Guarantee
-  **365 Days** Free Update
-  **800,000+** Satisfied Customers



**QUESTION 1**

What type of configuration must be used on a Steelhead appliance in order to communicate with an Interceptor appliance?

- A. In-path
- B. Out-of-path
- C. Logical in-path
- D. Physical in-path Hybrid Mode

Correct Answer: C

QUESTION 2

The Optimization service has been disabled on a Steelhead appliance. Which of the following events occur as a result?

- A. LAN and WAN interfaces stop intercepting
- B. Primary interface becomes disabled
- C. AUX interface becomes disabled
- D. The Steelhead appliance reboots

Correct Answer: A

QUESTION 3

You have a client and server using SMB2 signing. You have SMB optimization enabled on your SteelHeads, but SMB signing is not enabled on the server-side SteelHead. What is the effect on this on an SMB connection which the SteelHeads attempt to optimize?

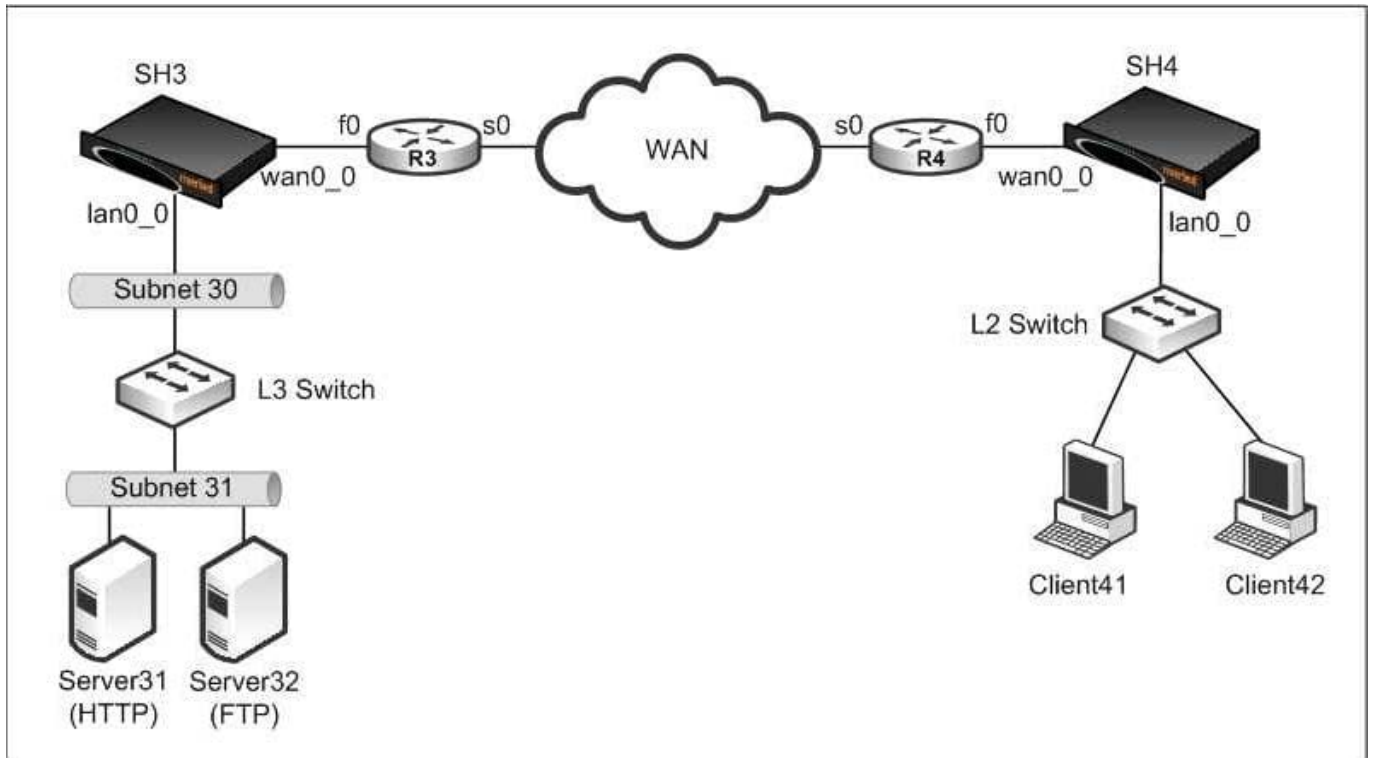
- A. Any SMB2 connections between this client and server will be shown as optimized with protocol errors. No latency optimization or data reduction can be performed.
- B. SMB2 connections between this client and server, which are initiated at the client side will be fully optimized with latency reduction.
- C. Any SMB2 connections between this client and server will be optimized using data reduction only. No latency optimization will take place.
- D. Any SMB2 connections between this client and server will be optimized using latency optimization only No data reduction will take place.

Correct Answer: C



QUESTION 4

In the exhibit, there is a resident firewall inside the WAN cloud that drops packets with any TCP option. The customer allows you to use fixed-target rules instead. The firewall policy can only allow unassigned ports 7750-7751 to pass-through it. Additionally, the SH3 has been configured with service port 7750, while SH4 has been configured with service port 7751. Which of the following fixed-target rule specification is correct?



- A. The fixed-target rule at SH4 peers to the inpath0_0 IP address of SH3 as the target appliance with port number 7800. The fixed-target rule at SH3 peers to the inpath0_0 IP address of SH4 as the target appliance with port number 7800.
- B. The fixed-target rule at SH4 peers to the inpath0_0 IP address of SH3 as the target appliance with port number 7810. The fixed-target rule at SH3 peers to the inpath0_0 IP address of SH4 as the target appliance with port number 7810.
- C. The fixed-target rule at SH4 peers to the inpath0_0 IP address of SH3 as the target appliance with port number 7750. The fixed-target rule at SH3 peers to the inpath0_0 IP address of SH4 as the target appliance with port number 7750.
- D. The fixed-target rule at SH4 peers to the inpath0_0 IP address of SH3 as the target appliance with port number 7751. The fixed-target rule at SH3 peers to the inpath0_0 IP address of SH4 as the target appliance with port number 7750.
- E. The fixed-target rule at SH4 peers to the inpath0_0 IP address of SH3 as the target appliance with port number 7750. The fixed-target rule at SH3 peers to the inpath0_0 IP address of SH4 as the target appliance with port number 7751.

Correct Answer: E

QUESTION 5

Which of the following authentication methods are supported by the Steelhead appliance?

- A. RADIUS and Local



- B. TACACS and Local
- C. TACACS, RADIUS, and Local
- D. TACACS, Kerberos, and Local
- E. TACACS, RADIUS, Kerberos, and Local

Correct Answer: C

QUESTION 6

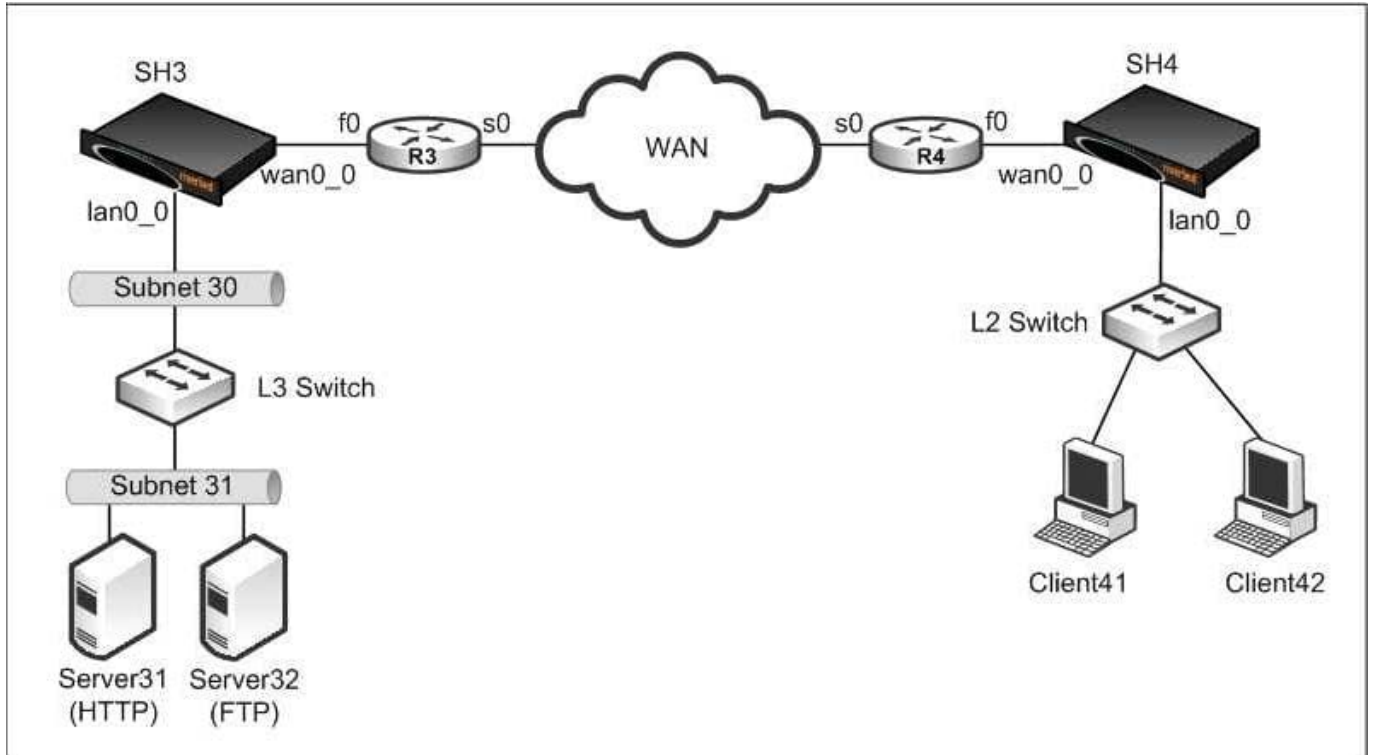
Which section of the Steelhead appliance Management Console can help identify speed/duplex errors? (Select 2)

- A. View Logs
- B. Current Connections
- C. Alarm Status
- D. Interface Statistics
- E. Monitored Ports

Correct Answer: AD

QUESTION 7

In the exhibit, Client41 and Client42 have full access to the HTTP and FTP services provided by Server31 and Server32 respectively. They continue to have access to these servers after SH3 and SH4 are deployed. A quick check on SH3 and SH4 registers the connections from Client41 and Client 42 as pass-through traffic. Note that SH3 and SH4 are in auto-discovery mode. What are the likely causes? (Select 2)



- A. Pass-through rules are specified in the Steelhead appliances to bypass TCP traffic from Client41 and Client42
- B. Deny rules are specified in the Steelhead appliances to bypass IP traffic from Client41 and Client42
- C. There is a firewall inside the WAN cloud which strips the TCP options field
- D. There is a firewall inside the WAN cloud which strips the IP options field

Correct Answer: AC

QUESTION 8

To verify that the Steelhead Mobile client software is running, what process should you look for in the Windows Task Manager?

- A. rbtsport.exe
- B. taskmgr.exe
- C. svchost.exe
- D. services.exe
- E. rivmobile.exe

Correct Answer: A

QUESTION 9



A customer with a new physical in-path installation decides to turn on the optimization service during lunch time on a working day. This is done so that he can see if the users perceive any performance improvement. When starting the optimization service, he does not enable the in-path kickoff option. Assuming there were several already active connections when he starts the optimization service, how will the Steelhead appliances handle these existing connections?

- A. The Steelhead appliance will optimize all connections, including pre-existing
- B. The Steelhead appliance will pass-through all pre-existing connections, leaving them un-optimized
- C. The Steelhead appliance will reset all pre-existing connections, thus automatically changing their optimization status from un-optimized to optimized
- D. The Steelhead appliance will list the connections as "pre-existing" on the Current Connections page
- E. Both B and D
- F. Both C and D

Correct Answer: E

QUESTION 10

WCCP uses bits to create and distribute buckets. Using MASK assignment, what is the maximum number of bits used?

- B. 7
- C. 8
- D. 32
- E. 256

Correct Answer: B

QUESTION 11

Regarding the registering of Steelhead appliances,

- A. Local appliances (on the same IP subnet) are automatically registered every time because their 10byte probe is intercepted by the CMC appliance
- B. Remote appliances are registered when a fixed-target rule is applied to the appliance directing it to the CMC appliance
- C. Remote appliances are registered by proxy via the server-side Steelhead appliance
- D. Remote appliances are registered manually when they have not auto-registered with the CMC appliance
- E. Local appliances can only be registered manually, since fixed-target rules may only be applied to remote Steelhead appliances

Correct Answer: D

**QUESTION 12**

What happens to traffic when a Steelhead appliance reports admission control?

- A. Traffic will be interrupted
- B. The Steelhead stops the interception of new connections for optimization for as long as it is in admission control
- C. This is just a report and the Steelhead will continue to optimize traffic
- D. The Steelhead will start optimizing faster any new connections
- E. The Steelhead will shut down in less than a minute

Correct Answer: B

QUESTION 13

When bi-directional network address translation (NAT) is used between the Steelhead appliances, optimization is not working. A workaround to this is: (Select 2)

- A. Use fixed-target rules on the server-side Steelhead appliance
- B. Enable server-side out-of-the-path on the server-side Steelhead appliance
- C. Enable destination oobtransparency
- D. Enable Full Transparency
- E. There is no work around for a double NAT situation

Correct Answer: CD

QUESTION 14

Two Steelhead appliances deployed in-path at different offices cannot auto-discover each other. What technique can be used to "force" the two Steelhead appliances to optimize traffic between each other?

- A. Change the TCP port the Steelhead appliances use for their in-path connections to 7810
- B. Disable the auto-discovery feature on the Steelhead appliances
- C. Create auto-discovery rules that map to each Steelhead appliance's in-path IP address
- D. Create fixed-target rules on each Steelhead appliance using the in-path IP address of the other Steelhead appliance, and use port 7800
- E. Use the "enable probe" command from the CLI

Correct Answer: D



QUESTION 15

What configuration policies can be used on the SteelCentral Controller for SteelHead (SCC) for Interceptor deployments?

- A. The SCC can be used to create all configuration for the Interceptors and its associated SteelHeads, as long as all the devices are in the same SCC group.
- B. The SCC can create in-path rules policies the same as a SteelHead, as long as that is the only page enabled for the Interceptor.
- C. The SCC can be used to configure the cluster of registered Interceptors and SteelHeads. Then, in-path rules and load balancing rules can be pushed to the interceptors.
- D. The SCC can be used to create cluster policies, for the Interceptor to SteelHead connections only and not in-path or load balancing rules.
- E. The SCC can only monitor the health, backup the configuration and upgrade Interceptors. Policies are only for SteelHeads. Interceptors and SteelHead Mobile are not supported.

Correct Answer: C

[830-01 PDF Dumps](#)

[830-01 VCE Dumps](#)

[830-01 Study Guide](#)