



71800X^{Q&As}

71800X - Avaya IX Messaging Implementation and Maintenance

Pass Avaya 71800X Exam with 100% Guarantee

Free Download Real Questions & Answers **PDF** and **VCE** file from:

<https://www.pass4itsure.com/71800x.html>

100% Passing Guarantee
100% Money Back Assurance

Following Questions and Answers are all new published by Avaya
Official Exam Center

-  **Instant Download** After Purchase
-  **100% Money Back** Guarantee
-  **365 Days** Free Update
-  **800,000+** Satisfied Customers





QUESTION 1

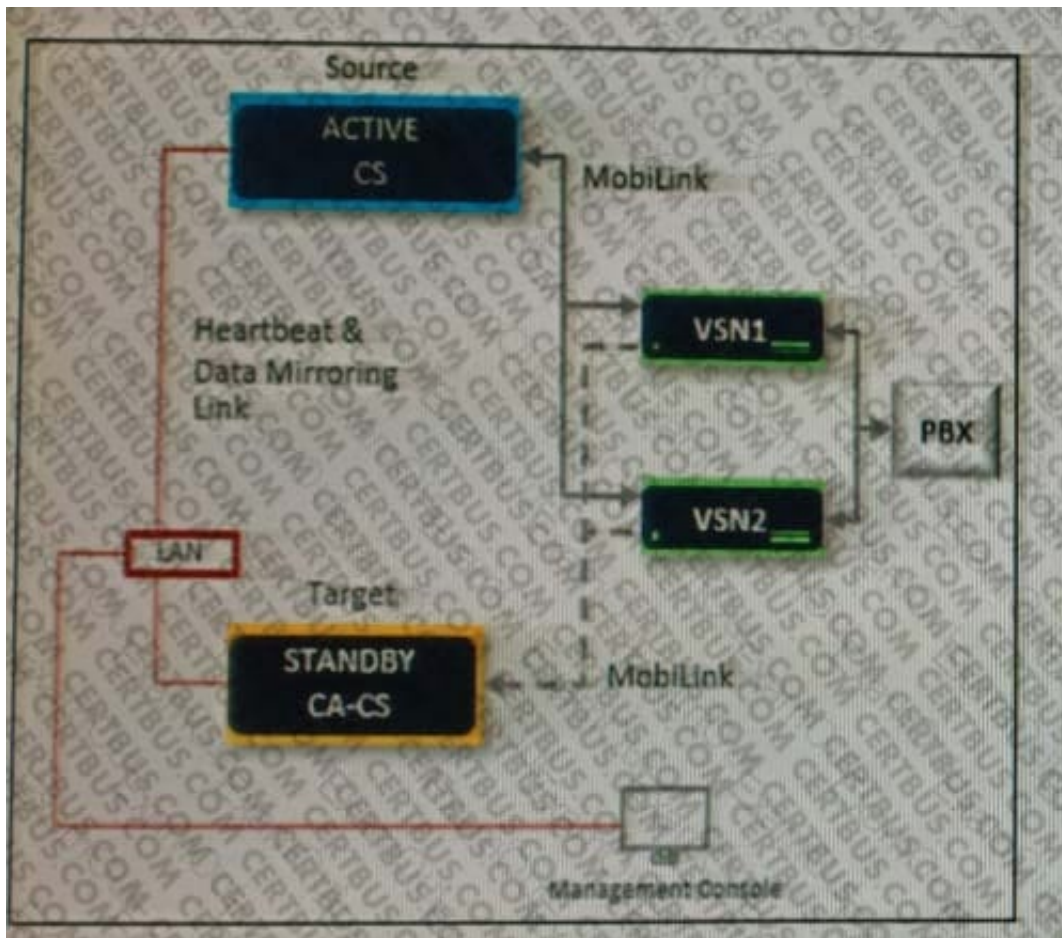
In an Avaya IXTM Messaging solution, what are the two locations where the PBX Extension Max Length is configured? (Choose two.)

- A. On the Content Sync Engine server
- B. On the Voice server nodes
- C. On the Consolidated server
- D. On the Database server

Correct Answer: AB

QUESTION 2

Refer to the exhibit.



What is illustrated in the exhibit?

- A. VSN Architecture for Disaster Recovery



- B. Carbonite availability of the Consolidated Server for Disaster Recovery
- C. Two consolidated servers in the active-active mode
- D. A Management Console allowing Avaya IXTM Messaging moves, adds, and changes

Correct Answer: A

QUESTION 3

If the service is stopped manually, what will restart the SQL DB service automatically?

- A. DBWatcher
- B. SQLANYs_ASADBJJC
- C. DBWatchdog
- D. SALANYm_Consolidated

Correct Answer: B

QUESTION 4

In Avaya IXTM What is the grace period for failure to authenticate a license?

- A. 45 days
- B. 28 days
- C. 29 days
- D. 47 days

Correct Answer: B

QUESTION 5

Where do the most configurations within an Avaya IXTM Messaging High Availability system take place?

- A. On the Content Synchronization Engine server
- B. On the Consolidated server
- C. On the Primary server
- D. On the Secondary server

Correct Answer: D



QUESTION 6

What is the order of Avaya IXTM Messaging server installation in an High Availability architecture solution?

- A. Primary Server > WebLM Server > Consolidated server > All Secondaries
- B. WebLM Server > Consolidated server > Primary Server > All Secondaries
- C. WebLM Server > Primary Server > Consolidated server > All Secondaries
- D. WebLM Server > Primary Server > All Secondaries > Consolidated server

Correct Answer: D

QUESTION 7

Which tool can be used to configure the parameters for Avaya IXTM Messaging to integrate with PBX?

- A. SIP Configuration tool
- B. PBX Configurator tool
- C. Admin tool
- D. UC configuration tool

Correct Answer: A

QUESTION 8

Which three are supported Avaya IXTM Messaging Deployment options? (Choose three.)

- A. Google cloud compute hosting (full or hybrid)
- B. Microsoft Azure cloud compute hosting (full or hybrid)
- C. Avaya Converged Platform turnkey appliance with pre-installed VMware
- D. A customer provided virtualized server
- E. A customer provided single purpose server per application

Correct Answer: CDE

QUESTION 9

In Avaya IXTM Messaging Mailbox configurations, which parameter can be set using the Synchronization Options tab of Mailbox?



- A. The ability to connect the current Mailbox with the IMAP TSE feature
- B. The ability to automatically allow the append availability and/or location settings depending on your telephone settings
- C. The ability to change the location status of the Mailbox
- D. The ability to configure the enrollment of the current mailbox in the voice verification features, and configure the related security levels

Correct Answer: A

QUESTION 10

When the Primary server becomes unavailable, it will stop updating the time stamps on the copied license files that exist on the Secondary server and the Consolidated server. To stop the expiration of the copied license files, within how many days must the Primary server be recovered?

- A. 30
- B. 28
- C. 14
- D. 10

Correct Answer: C

[Latest 71800X Dumps](#)

[71800X Practice Test](#)

[71800X Brindumps](#)