

# 100% Money Back Guarantee

**Vendor:** Microsoft

**Exam Code:** 70-236

**Exam Name:** Microsoft TS: Configuring Exchange Server 2007 (New) Exam

**Version:** Demo

**Question: 1**

Your Exchange Server 2007 environment has a Mailbox server named Server1. Disk corruption occurs on Server1. You need to repair the mailbox database, rebuild the indexes, defragment the database, and resolve problems at the application level. What should you do?

- A. Run the Eseutil /P command, run the Eseutil /D command, and then run the defrag command.
- B. Run the Eseutil /P command, run the Eseutil /D command, and then run the isinteg command.
- C. Use the Exchange Best Practices Analyzer.
- D. Use the Performance Troubleshooter tool.

---

**Answer: B**

---

**Question: 2**

You have an Exchange Server 2007 environment. You disconnect a user's mailbox. You need to reconnect this mailbox to a new Active Directory Domain Services (AD DS) user account. Which cmdlet should you run?

- A. Enable-Mailbox
- B. Connect-Mailbox
- C. Restore-Mailbox
- D. Update-Recipient

---

**Answer: B**

---

**Question: 3**

Your company's Active Directory environment becomes corrupted on the morning of Thursday, March 17. The Active Directory team restores all of the directory objects and settings from a backup that was taken on Monday, March 14. Users who were assigned mailboxes between Monday, March 14, and Thursday, March 17, now report that they cannot access their mailboxes. You need to restore mailbox access for these users. What should you do?

- A. Run the Enable-Mailbox cmdlet from the Exchange server.
- B. Run the Connect-Mailbox cmdlet from the Exchange server.
- C. Restore the latest mailbox database backup.
- D. Restore the latest System State backup.

---

**Answer: B**

---

**Question: 4**

You have a server that has Microsoft Exchange Server 2007 with Service Pack 1 (SP1) and Microsoft Windows Server 2008 installed. The mailbox database fails. You need to ensure that users are able to send and receive e-mail during the recovery of the mailbox database. What should you do?

- A. Create a recovery storage group.
- B. Use the Exchange Mail Flow Troubleshooter.
- C. Run the New-MailboxDatabase cmdlet.
- D. Perform a dial tone recovery.

**Answer: D**

**Question: 5**

You have an Exchange Server 2007 environment. The mailbox for a user is deleted. The mailbox is no longer in the deleted mailbox retention dumpster. You need to recover the mailbox. Which two actions should you perform? (Each correct answer presents a part of the solution. Choose two.)

- A. Run the Connect-Mailbox cmdlet.
- B. Run the Import-Mailbox cmdlet.
- C. Run the Restore-Mailbox cmdlet.
- D. Restore the database in a recovery storage group.
- E. Use the Database Troubleshooter tool.
- F. Perform a dial tone recovery.

**Answer: C AND D**

**Question: 6**

Your Exchange Server 2007 Mailbox server is backed up by a Volume Shadow Copy Service ( VSS ) . The Mailbox server fails, and you must perform a recovery of the mailbox database. You verify that the recent transaction log files are intact. You need to recover the mailbox database and replay all available transaction logs into the database. Which command or cmdlet should you run?

- A. Eseutil .exe /R
- B. Eseutil .exe /C
- C. Set-MailboxDatabase - AllowFileRestore:\$true
- D. Restore-Mailbox - TargetFolder

**Answer: A**

**Question: 7**

Your Exchange Server 2007 environment has a Mailbox server named Server 1. Server 1 is a node in a Single Copy Cluster (SCC).

Server 1 fails.

You need to be able to restore Server 1.

What should you do first?

- A. Run the Setup /m:RecoverServer command.
- B. Run the Setup /RecoverCMS command.
- C. Re-create the failed cluster node, and then run the Setup /DisasterRecovery command.
- D. Re-create the failed cluster node, and then join it to the existing cluster.

---

**Answer: D**

---

**Question: 8**

An Exchange Server 2007 computer named Exch2 runs all features of the Client Access server role. Exch2 fails. You install a new Microsoft Windows server named Exch5 and restore the System State data. You need to finish restoring the services as they were previously configured. Which two actions should you perform? (Each correct answer presents part of the solution. Choose two.)

- A. Restore the \ClientAccess\ directory.
- B. Restore the \bin\ directory.
- C. Enable Exchange ActiveSync integration for the Microsoft Office Outlook Web Access site.
- D. Reinstall the Client Access server role by running the Setup/role:ClientAccess command.
- E. Reinstall the Client Access server role by running the Setup /mode:RecoverServer command.

---

**Answer: A AND E**

---

**Question: 9**

Your Exchange Server 2007 environment has a Client Access server named Server 1. Server 1 fails. You need to restore Server 1. What should you do first?

- A. Run the Setup /m:RecoverServer command.
- B. Run the Setup /RecoverCMS command.
- C. Run the Setup /NewCMS command.
- D. Perform a dial tone recovery.

---

**Answer: A**

---

**Question: 10**

Your Exchange Server 2007 environment has an Edge Transport server. A hardware failure occurs. You need to restore the Edge Transport server settings to a new computer. What should you do?

- A. Run the ImportEdgeConfig.ps1 script.
- B. Run the Start-EdgeSynchronization cmdlet on the new computer.
- C. Run the Setup /m:RecoverServer command.
- D. Run the Setup /m:RecoverCMS command.

**Answer: A**

**Question: 11**

Your Exchange Server 2007 Edge Transport server role fails. You install a new Microsoft Windows Server 2003 computer and reinstall the Edge Transport server role on this new server. You find out that the address rewrites that were previously configured on the Edge Transport server role no longer function. You need to recover the address rewrite capability. What should you do?

- A. Run the Setup /m:RecoverServercommand.
- B. Run the ImportEdgeConfig.ps1 script.
- C. Import the Edge Subscription file on the Hub Transport server.
- D. Copy the Edge Subscription file to the Hub Transport server.

**Answer: B**

**Question: 12**

Your Exchange Server 2007 environment has a Hub Transport server named Server1. Server1 fails. You need to perform role recovery on Server1. What should you do?

- A. Use Add or Remove Programs in Control Panel.
- B. Run the Eseutil.exe command.
- C. Run the Setup /RecoverCMS command.
- D. Run the Setup/m:RecoverServer command.

**Answer: D**

**Question: 13**

You have an Exchange Server 2007 environment with a single Edge Transport server. You need to back up your Edge Transport server configuration files. What should you do?

- A. Configure EdgeSync services.
- B. Run the ExportEdgeConfig.ps1 script.
- C. Back up the Exchange2007Edge.xml file.
- D. Run the Get-EdgeSubscriptioncmdlet.

**Answer: B**

**Question: 14**

Your Exchange Server 2007 environment has a single Hub Transport server. A hardware failure occurs on the Hub Transport server. You perform a role recovery to a new computer. You need to view routing information for an e-mail message that was sent prior to the hardware failure. What should you do?

- A. Run the Setup /DisasterRecovery command.
- B. Run the Setup /m:RecoverServer command.
- C. Restore the message tracking logs from backup.
- D. Run the GetMessageTrackingLogE2EWithTime.ps1 script.

**Answer: C**

**Question: 15**

You have an Exchange Server 2007 environment with a single Client Access server. You use the Autodiscover service. The Client Access server fails. You need to restore the Autodiscover service settings to a new computer. What should you do?

- A. Recover the Internet Information Services (IIS) configuration.
- B. Run the Register-ExchangeSCW.ps1 script.
- C. Run the Setup/m:RecoverServer command.
- D. Run the Set-AcceptedDomaincmdlet.

**Answer: A**

**Question: 16**

Your Exchange Server 2007 Service Pack 1 (SP1) environment has a single Mailbox server. You need to enable local continuous replication (LCR) for an existing storage group. You successfully run the Enable-DatabaseCopy cmdlet on the storage group. Which cmdlet should you run next?

- A. Resume-StorageGroupCopy
- B. Suspend-StorageGroupCopy
- C. Enable-StorageGroupCopy
- D. Update-StorageGroupCopy
- E. Test-ReplicationHealth

**Answer: C**

**Question: 17**

You have an Exchange Server 2007 environment. You need to add new disk resources to an existing Exchange Server 2007 Single Copy Cluster (SCC). Which tool should you use?

- A. Exchange Management Shell
- B. Exchange Management Console
- C. Cluster Administrator
- D. Exchange Setup utility

**Answer: C**

**Question: 18**

You have an Exchange Server 2007 Service Pack 1 (SP1) environment. You have a server named Server1 in a cluster continuous replication (CCR) cluster. You have a single standby continuous replication (SCR) target server named Server2 at a different location. You configure Server1 to use SCR to replicate all of its storage groups to Server2. Server2 is not receiving a copy of the databases or log files. You discover that the status of the SCR replication is Suspended. You need to ensure that SCR is functioning properly. Which cmdlet should you run?

- A. Enable- DatabaseCopy
- B. Enable- StorageGroupCopy
- C. Restore- StorageGroupCopy
- D. Resume- StorageGroupCopy
- E. Enable- ContinuousReplicationHostName

**Answer: D**

**Question: 19**

You have an Exchange Server 2007 environment. You have two Mailbox servers, two Client Access servers, two Hub Transport servers, and two Edge Transport servers. You need to provide high availability for the Availability service. What should you do?

- A. Configure clustering on the Mailbox servers.
- B. Configure Network Load Balancing on the Hub Transport servers.
- C. Configure Network Load Balancing on the Client Access servers.
- D. Configure Network Load Balancing on the Edge Transport servers.

---

**Answer: C**

---

**Question: 20**

An Exchange Server 2007 clustered mailbox server is installed on a Single Copy Cluster (SCC). You want to add another storage group and database to the clustered mailbox server. You perform the following actions.

1. On the active and passive nodes of the cluster, mount a new database drive to D:\mounts\SG5\DB5\_1, and mount a new log drive to D:\mounts\SG5\Log5\_1.
2. Create a new storage group named SG5, and point the log path to D:\mounts\SG5\Log5\_1.
3. Create a new database in SG5 named DB5\_1, and point the database path to D:\mounts\SG5\DB5\_1.

You need to complete the addition of the storage group and database to the clustered mailbox server.

What should you do?

- A. Change the mount location of the database and log drives to drive letter locations on the active and passive nodes.
- B. Remove the drives from the passive node until the active node is configured.
- C. Add the drives as a cluster resource, and make the Microsoft Information Store dependent on those resources.
- D. Add the drives as a cluster resource, and make the storage group dependent on those resources.

---

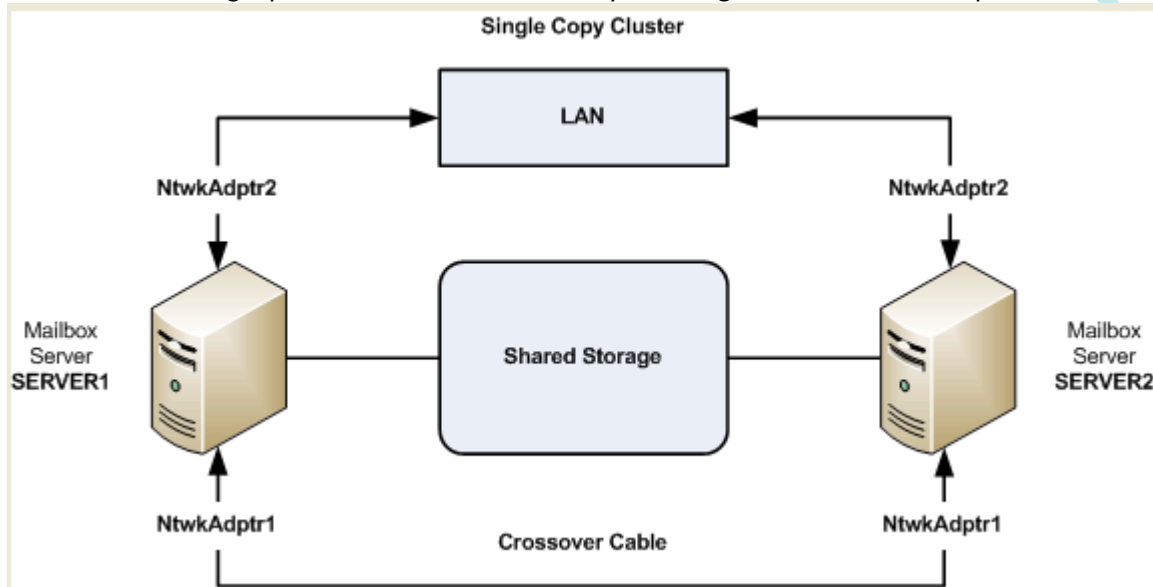
**Answer: D**

---



**Question: 21**

You are configuring an Exchange Server 2007 single copy cluster (SCC) on Windows Server 2003 as shown in the following diagram. You need to configure the network adapters named NtwkAdptr1 and NtwkAdptr2 on each server to ensure that the private network connection between the two servers is not a single point of failure. How should you configure the network adapters?



- A. NtwkAdptr1 Internal Cluster Communications only (private network)  
NtwkAdptr2 Client access only (public network)
- B. NtwkAdptr1 All communications (mixed network)  
NtwkAdptr2 Client access only (public network)
- C. NtwkAdptr1 Client access only (public network)  
NtwkAdptr2 All communications (mixed network)
- D. NtwkAdptr1 Internal Cluster Communications only (private network)  
NtwkAdptr2 All communications (mixed network)

---

**Answer: D**

---

To Read the [Whole Q&As](#), please purchase the [Complete Version](#) from [Our website](#).

# Trying our product !

- ★ **100%** Guaranteed Success
- ★ **100%** Money Back Guarantee
- ★ **365 Days** Free Update
- ★ **Instant Download** After Purchase
- ★ **24x7** Customer Support
- ★ Average **99.9%** Success Rate
- ★ More than **69,000** Satisfied Customers Worldwide
- ★ Multi-Platform capabilities - **Windows, Mac, Android, iPhone, iPod, iPad, Kindle**

## Need Help

Please provide as much detail as possible so we can best assist you.

To update a previously submitted ticket:



 <b>One Year Free Update</b> <p>Free update is available within One Year after your purchase. After One Year, you will get 50% discounts for updating. And we are proud to boast a 24/7 efficient Customer Support system via Email.</p>	 <b>Money Back Guarantee</b> <p>To ensure that you are spending on quality products, we provide 100% money back guarantee for 30 days from the date of purchase.</p>	 <b>Security &amp; Privacy</b> <p>We respect customer privacy. We use McAfee's security service to provide you with utmost security for your personal information &amp; peace of mind.</p>
---	---	--

## Guarantee & Policy | Privacy & Policy | Terms & Conditions

Any charges made through this site will appear as Global Simulators Limited.

All trademarks are the property of their respective owners.