



642-999^{Q&As}

Implementing Cisco Data Center Unified Computing

Pass Cisco 642-999 Exam with 100% Guarantee

Free Download Real Questions & Answers **PDF** and **VCE** file from:

<https://www.pass4itsure.com/642-999.html>

100% Passing Guarantee
100% Money Back Assurance

Following Questions and Answers are all new published by Cisco
Official Exam Center

-  **Instant Download** After Purchase
-  **100% Money Back** Guarantee
-  **365 Days** Free Update
-  **800,000+** Satisfied Customers





QUESTION 1

Which ports can access the Cisco IMC if you select Shared LOM NIC mode in the Cisco IMC Configuration Utility for a Cisco UCS C-Series server?

- A. the ports on an installed Cisco network adapter card
- B. the two 1-Gb Ethernet ports
- C. the two 10/100 management ports
- D. the two 10/100 management ports, but each port has a default setting

Correct Answer: B

QUESTION 2

The system-reserved VLANs within Cisco UCS are 3968 to 4048 by default. Where can a user change the starting value of this range?

- A. VLAN manager
- B. global policies
- C. LAN cloud
- D. cannot be changed

Correct Answer: D

QUESTION 3

Select and Place:



Drag the characteristic on the left to the most appropriate Cisco Unified Computing System 62XX Fibre Channel switching mode on the right.

NP_Port to F_Port		NPV Mode
No Fibre Channel domain ID		
Default zoning or zone merge		
No zoning required		
N_Port to F_Port		
Fibre Channel domain ID		
		Fibre Channel Switching Mode

Correct Answer:

Drag the characteristic on the left to the most appropriate Cisco Unified Computing System 62XX Fibre Channel switching mode on the right.

		NPV Mode
		NP_Port to F_Port
		No Fibre Channel domain ID
		No zoning required
		Fibre Channel Switching Mode
		N_Port to F_Port
		Fibre Channel domain ID
		Default zoning or zone merge

QUESTION 4

An admin wants to make sure that for each VLAN added to a vNIC, a static MAC address entry is added to the fabric interconnect. Which setting within Cisco UCS Manager accomplishes this task?

- A. The MAC Register Mode in the network control policy is set to Only Native VLAN.
- B. The MAC Register Mode in the LAN connectivity policy is set to All Host VLANs.
- C. The MAC Register Mode in the network control policy is set to All Host VLANs.
- D. The MAC Register Mode in the LAN connectivity policy is set to Only Native VLAN.



E. The MAC Register Mode in the link protocol policy is set to All Host VLANs.

F. The MAC Register Mode in the link protocol policy is set to Only Native VLAN.

Correct Answer: C

QUESTION 5

You have a Cisco UCS C-Series Server. What can you use to log the blade server statistics?

A. the Cisco Integrated Management Controller log

B. RADIUS

C. LDAP

D. the XML API

Correct Answer: A

Reference: <http://www.cisco.com/c/en/us/products/collateral/servers-unified-computing/ucs-cseries-rack-servers/datasheet-c78-733571.html>

QUESTION 6

Scenario

In this scenario, you will refer to screenshots about Cisco UCS B-Series servers and UCS

Manager.

Instructions

To access the multiple-choice questions, click on the numbered boxes on the left of the top panel.

There are four multiple-choice questions with this task.

Be sure to answer all four questions before selecting the Next button.



DCUCI 5.0 Lab Topology—Backbone

Legend:

- Fibre Channel
- 10 GE with FCoE
- 10 GE
- 1 GE
- GE = Gigabit Ethernet

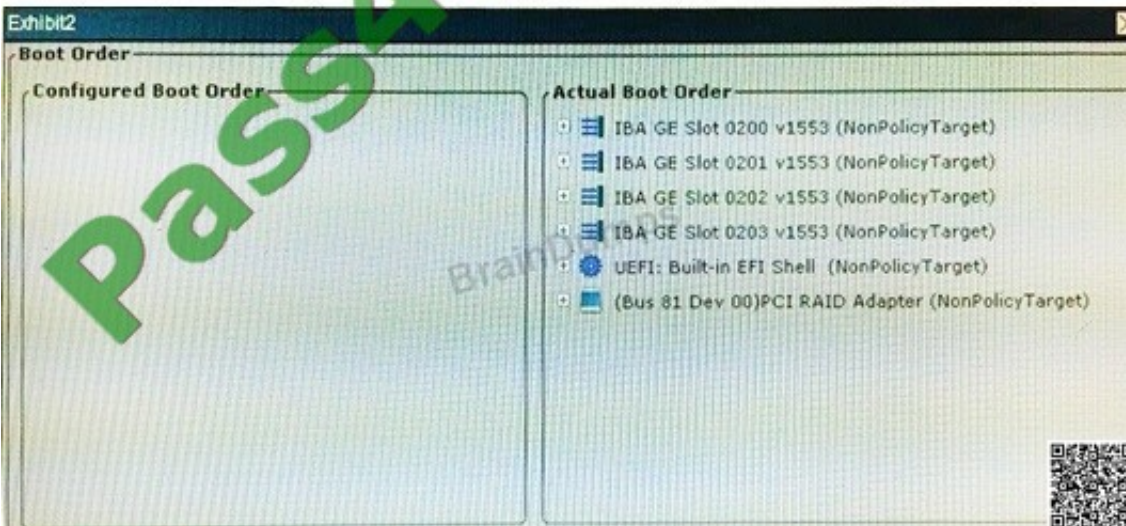
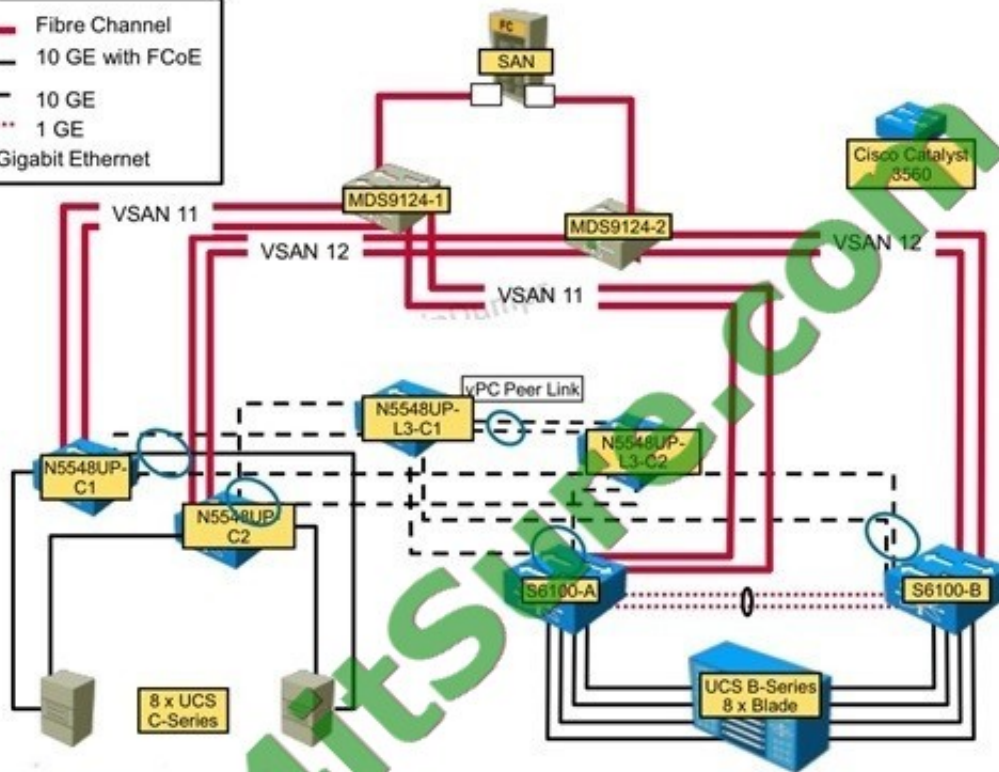




Exhibit4

Trap Details

Trap Settings

ID: 1

Enabled:

SNMP Version: V3

Trap Type: Trap Inform

User: None

Destination IP: 0.0.0.0

OK Reset Values Close

Exhibit5

User Details

User Properties

ID: 2

Enabled:

Username: _____


Role: read-only

Change Password:

New Password: _____

Confirm New Password: _____

Save Changes Reset Values Cancel





Refer to the screenshot in Exhibit 5. Which of the following user roles allows the permission Clear All Logs?

- A. read-only
- B. user
- C. operator
- D. system

Correct Answer: C

Reference:

http://www.cisco.com/c/en/us/td/docs/unified_computing/ucs/sw/gui/config/guide/20/b_UCSM_GUI_Configuration_Guide_2_0/b_UCSM_GUI_Configuration_Guide_2_0_chapter_01001.html

QUESTION 7

Which protocol is not supported for Cisco UCS backups and imports?

- A. FTP
- B. TFTP
- C. SCP
- D. SFTP
- E. HTTP

Correct Answer: E

QUESTION 8

Scenario

In this scenario, you will refer to screenshots about Cisco UCS B-Series servers and UCS Manager.

Instructions

To access the multiple-choice questions, click on the numbered boxes on the left of the top panel.

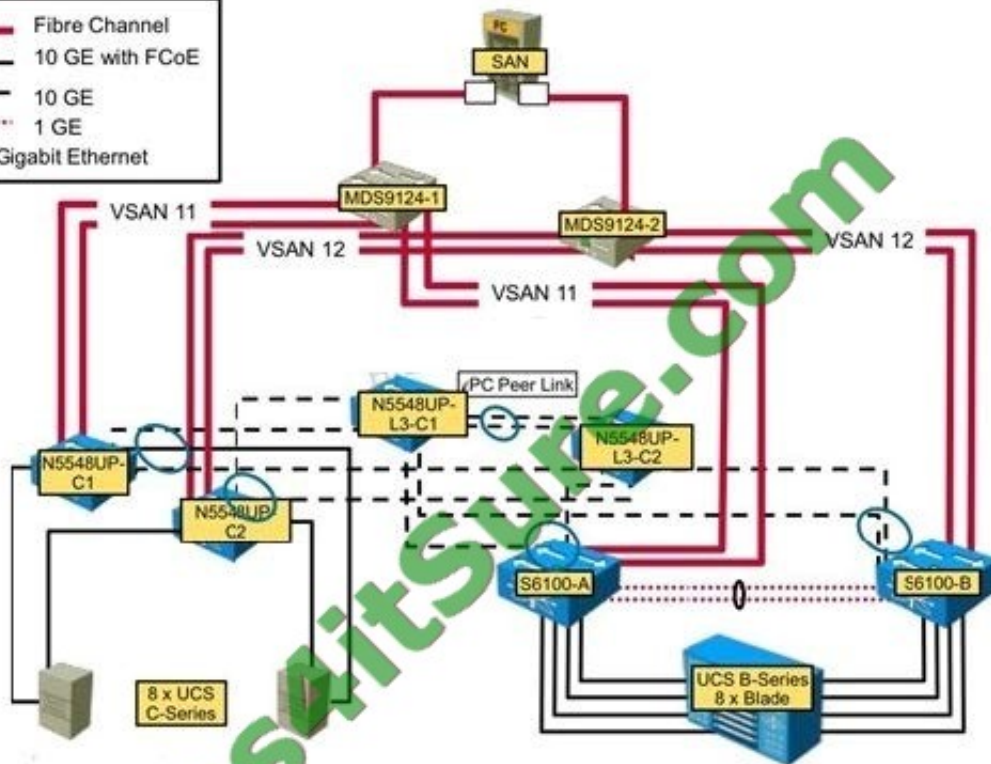
There are four multiple-choice questions with this task.

Be sure to answer all four questions before selecting the Next button.

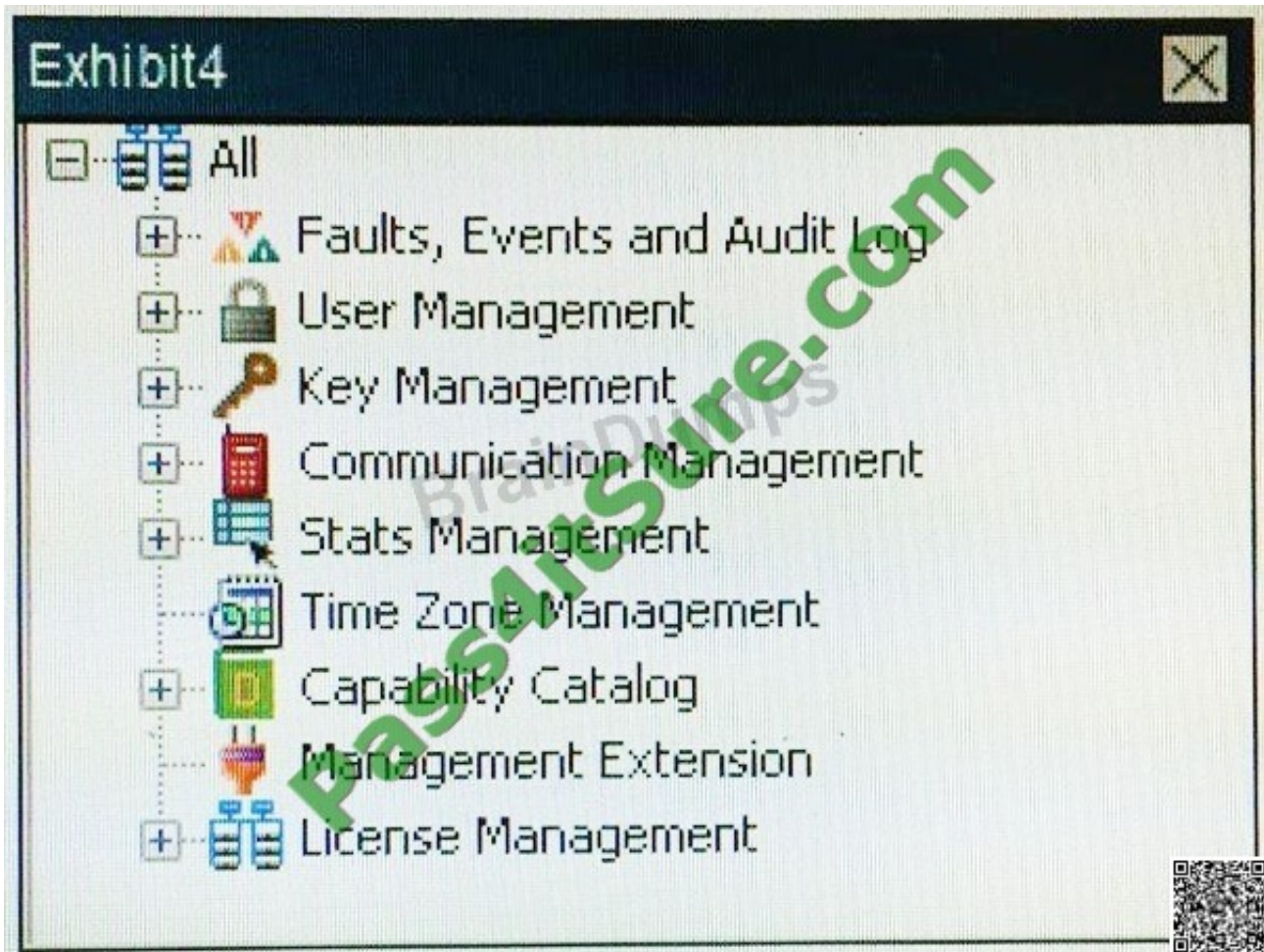


Legend:

- Fibre Channel
- 10 GE with FCoE
- 10 GE
- 1 GE
- GE = Gigabit Ethernet



```
Exhibit2
interface Vethernet749
  description server 1/1, VNIC vNIC0
  switchport mode trunk
  untagged cos 4
  no pinning server sticky
  pinning server pinning-failure link-dc
```

Which log would you view to determine which UCS Manager user modified a Service Profile?

- A. Events
- B. Audit
- C. Syslog
- D. SEL

Correct Answer: D

Reference:

http://www.cisco.com/c/en/us/td/docs/unified_computing/ucs/sw/gui/config/guide/20/b_UCSM_GUI_Configuration_Guide_2_0/b_UCSM_GUI_Configuration_Guide_2_0_chapter_01

01101.html

QUESTION 9

Which boot option is recommended for a boot policy because it offers the most service profile mobility within a system?



- A. iSCSI boot
- B. local disk boot
- C. LAN boot
- D. SAN boot

Correct Answer: D

QUESTION 10

Which two of the listed BIOS options are required for VM-FEX in high performance mode? (Choose two.)

- A. RSS
- B. interrupt coherency
- C. virtualization technology
- D. cache validation
- E. ATS support

Correct Answer: CE

QUESTION 11

Which two are true concerning the role-based access control specifics of a Cisco Unified Computing System? (Choose two.)

- A. Disabled local user accounts are deleted from the database.
- B. A locally authenticated user account is any user account that is authenticated through LDAP, RADIUS, or TACACS+.
- C. If a user maintains a local user account and a remote user account simultaneously, the roles that are defined in the local user account override those that are maintained in the remote user account.
- D. By default, user accounts expire after 90 days; a warning message will be generated 10 days prior to expiration.
- E. A user that is assigned one or more roles will be allowed the privileges that are consistent across all of the assigned roles.
- F. All roles include read access to all configuration settings in the Cisco Unified Computing System domain.

Correct Answer: CF

QUESTION 12

Which two statements about the provisioning of Cisco VM-FEX DirectPath I/O mode are true?



(Choose two.)

- A. The VT-D feature on the ESX host server must be disabled before you can enable VMDirectPath.
- B. VM-FEX standard mode is the same as VM-FEX high-performance mode.
- C. Enabling high performance turns on VMDirectPath mode.
- D. VMDirectPath mode prevents the use of VMware vMotion.
- E. To use Cisco VM-FEX DirectPath I/O mode, a virtual machine must have a dynamic vNIC and two static vNICs on the VIC adapter.

Correct Answer: CE

Reference: http://www.cisco.com/c/en/us/solutions/collateral/data-center-virtualization/unifiedcomputing/vm_fex_best_practices_deployment_guide.html

[Latest 642-999 Dumps](#)

[642-999 Exam Questions](#)

[642-999 Braindumps](#)



To Read the [Whole Q&As](#), please purchase the [Complete Version](#) from [Our website](#).

Try our product !

100% Guaranteed Success

100% Money Back Guarantee

365 Days Free Update

Instant Download After Purchase

24x7 Customer Support

Average 99.9% Success Rate

More than 800,000 Satisfied Customers Worldwide

Multi-Platform capabilities - [Windows](#), [Mac](#), [Android](#), [iPhone](#), [iPod](#), [iPad](#), [Kindle](#)

We provide exam PDF and VCE of Cisco, Microsoft, IBM, CompTIA, Oracle and other IT Certifications. You can view Vendor list of All Certification Exams offered:

<https://www.pass4itsure.com/allproducts>

Need Help

Please provide as much detail as possible so we can best assist you.

To update a previously submitted ticket:



 <p>One Year Free Update Free update is available within One Year after your purchase. After One Year, you will get 50% discounts for updating. And we are proud to boast a 24/7 efficient Customer Support system via Email.</p>	 <p>Money Back Guarantee To ensure that you are spending on quality products, we provide 100% money back guarantee for 30 days from the date of purchase.</p>	 <p>Security & Privacy We respect customer privacy. We use McAfee's security service to provide you with utmost security for your personal information & peace of mind.</p>
---	---	--

Any charges made through this site will appear as Global Simulators Limited.

All trademarks are the property of their respective owners.

Copyright © pass4itsure, All Rights Reserved.