



642-447^{Q&As}

Implementing Cisco Unified Communications Manager, Part 1 v8.0
(CIPT1 v8.0)

Pass Cisco 642-447 Exam with 100% Guarantee

Free Download Real Questions & Answers **PDF** and **VCE** file from:

<https://www.pass4itsure.com/642-447.html>

100% Passing Guarantee
100% Money Back Assurance

Following Questions and Answers are all new published by Cisco
Official Exam Center

-  **Instant Download** After Purchase
-  **100% Money Back** Guarantee
-  **365 Days** Free Update
-  **800,000+** Satisfied Customers



**QUESTION 1**

What is the process of digit matching?

- A. Cisco Unified Communications Manager first performs a digit-by-digit analysis, looking for patterns that match the internal directory numbers. If no match is found, the dialed string is matched against the route patterns.
- B. Cisco Unified Communications Manager collects all digits and compares them en bloc for patterns that match the internal directory numbers. If no match is found, the dialed string is matched against the route patterns.
- C. Cisco Unified Communications Manager performs a digit-by-digit analysis, looking for patterns that match the internal directory numbers and ones that match the route patterns simultaneously.
- D. Cisco Unified Communications Manager collects all digits and compares them en bloc for patterns that match the internal directory numbers and ones that match the route patterns simultaneously.

Correct Answer: C

QUESTION 2

You have two groups of managers that need to hold Meet-Me conferences. You want each group to have access to a range of 10 Meet-Me numbers. What are the two best ways to accomplish this? (Choose two.)

- A. Ensure that the 10 Meet-Me conference numbers overlap with existing ad hoc conferencing numbers.
- B. Create two different partitions and add both groups of 10 Meet-Me conference numbers to the partitions.
- C. Create two groups of 10 Meet-Me conference numbers that do not overlap with any other number in the numbering plan.
- D. Create a different partition for each group of managers and assign a set of 10 Meet-Me conference numbers to each.
- E. Create two different groups of Meet-Me conference numbers, add them to the partition, and add the partition to the two manager groups to provide limited access.

Correct Answer: CD

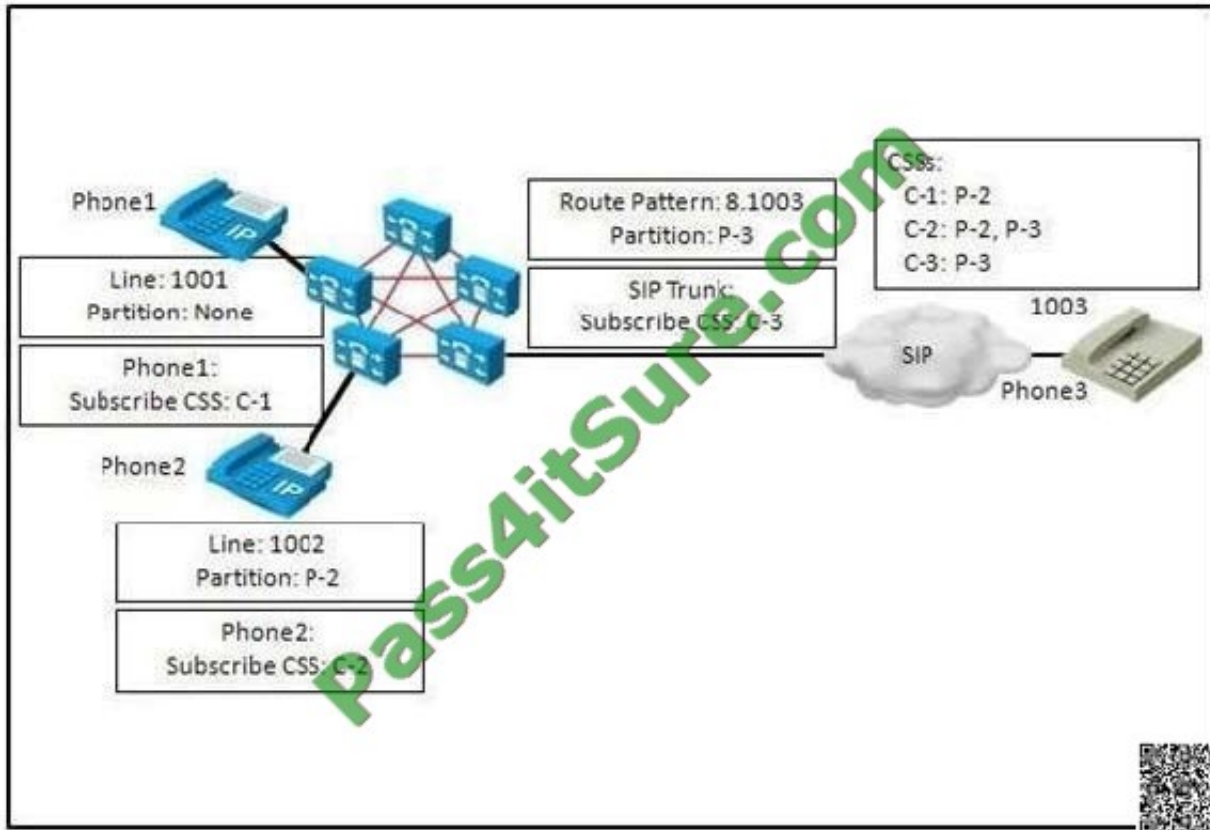
Link:

http://www.cisco.com/en/US/docs/voice_ip_comm/cucm/admin/8_5_1/ccmcfg/b03meet.html Reference:

Cisco Unified Communications Manager Administration Guide Release 8.6(1), page- 313.

QUESTION 3

Refer to the exhibit. Which of these statements are true?



- A. 1001 can watch 1002, but not 1003.
- B. 1002 can only watch 1003.
- C. 1003 can only watch 1001.
- D. 1001 can watch 1002 and 1003.
- E. 1002 cannot watch any extension.

Correct Answer: AC

QUESTION 4

A range of Meet-Me conference numbers is reserved for manager use. Which method can be used to restrict non-managers from accessing these Meet-Me numbers without limiting their ability to initiate ad hoc conferences?

- A. Place the Meet-Me numbers in an MRGL that is only assigned to the managers\' phones.
- B. Place the Meet-Me numbers in a partition that is only assigned to the CSS for the managers\' phones.
- C. Place the conference bridge resource in an MRGL that is only assigned to the managers\' phones.
- D. Place the conference bridge resource in a partition that is only assigned to the CSS for the managers\' phones.

Correct Answer: B

**QUESTION 5**

Which three Cisco Unified CallManager configuration steps are required to support third party SIP phones? (Choose three.)

- A. configure the device in Cisco Unified CallManager
- B. change the proxy address in the SIP phone to an IP address or the Fully Qualified Domain Name (FQDN) of Cisco Unified CallManager
- C. associate the device with the end user
- D. configure the phone with the TLS username and password
- E. configure the end user in Cisco Unified CallManager
- F. add the MAC address of the Cisco Unified CallManager server to the SIP phone configuration page

Correct Answer: ACE

Perform the following steps when configuring third-party SIP endpoints:

-

Configure an end user in Cisco Unified Communications Manager.

-

Configure the third-party SIP phone and its directory numbers in Cisco Unified Communications Manager.

-Select the configured end user as Digest User on the third-party SIP phone configuration window.

- Configure the third-party SIP phone with the IP address of Cisco Unified Communications Manager (proxy address), end-user ID, digest credentials (optional), and directory numbers

QUESTION 6

Which three functions does the Master Agent perform? (Choose three.)

- A. interfaces with the DRS agent on the Administrator PC
- B. controls backup and restoration of the system
- C. communicates with archive devices
- D. executes backup and restore tasks
- E. acts as a backup repository
- F. stores DRS configuration



Correct Answer: BCF

Duties That the Master Agent Performs

The Master Agent (MA) performs the following duties:

-The MA stores systemwide component registration information. The MA maintains a complete set of scheduled tasks in the database. When it receives updates from the user interface, the MA sends executable tasks to the applicable Local

Agents, as scheduled. (Local Agents execute immediate-backup tasks without delay.) You access the MA through the Disaster Recovery System user interface to perform activities such as configuring backup devices, scheduling backups by

adding new backup schedules, viewing or updating an existing schedule, displaying status of executed schedules, and performing system restoration.

-The MA stores backup data on a locally attached tape drive or a remote network location.

Duties That Local Agents Perform

The Local Agent runs backup and restore scripts on the server. In a cluster, the Local Agent runs backup and restore scripts on each node in the cluster.

QUESTION 7

Which two elements are configured to provide dialing privileges in Cisco Unified Communications Manager? (Choose two.)

- A. partitions
- B. regions
- C. enterprise phone configuration
- D. calling search spaces

Correct Answer: AD

QUESTION 8

The Show menu in which navigation window will allow you to determine the model, type of processors, and total memory in a Cisco Unified Communications Manager 6.0 server?

- A. Cisco Unified Communications Manager Administration
- B. Cisco Unified Communications Manager Serviceability
- C. Disaster Recovery System
- D. Platform Administration
- E. Cisco Unified Operating System Administration



Correct Answer: E

QUESTION 9

Which three of these are enterprise parameters? (Choose three.)

- A. phone URL parameters
- B. codecs parameters for voice media-streaming applications
- C. T302 parameter
- D. User search limit
- E. Enable Call Detail Records
- F. Enable Dependency Records

Correct Answer: ADF

QUESTION 10

If the primary Cisco Unified Communications Manager in a group fails, what happens to the devices that were configured to use the primary Unified Communications Manager?

- A. All devices are disconnected.
- B. All devices connect to the next listed Cisco Unified CallManager in the group.
- C. All devices randomly select a Cisco Unified CallManager in the group.
- D. All devices wait for the failed Cisco Unified CallManager to come back online.

Correct Answer: B

QUESTION 11

Please study the exhibit carefully. Abc.com uses 4-digit extensions. To call between sites, they dial the intersite access code '\8\' followed by the 3-digit site code and 4-digit extension of the phone they are trying to reach. Phone_A is in Partition Branch1 with a CSS named BR1_External. If a user dials 85014532 from Phone_A, which element of the route plan will be matched? Exhibit:



The screenshot shows the 'Calling Search Space Information' configuration page. The 'Name' field is set to 'BR1 Exterral'. The 'Description' field is empty. Under 'Route Partitions for this Calling Search Space', the 'Available Partitions' list is empty, and the 'Selected Partitions' list contains 'HQ_Phones', 'Gateway', 'InterSite', and 'Branch1' in that order. At the bottom, there are buttons for 'Save', 'Delete', 'Copy', and 'Add New', along with a QR code.

- A. Route Pattern 8501! in the partition gateway
- B. the phone with extension 4532 in Partition Branch1
- C. the phone with extension 4532 among the partition phones
- D. Translation Pattern 85XX in the partition intersite
- E. Route Pattern 8501.XXXX# in the partition gateway
- F. Route Pattern 8501.XXXX in the partition gateway

Correct Answer: D

QUESTION 12

What happens when you try to configure the fourth member of a Cisco Unified CallManager group?

- A. Cisco Unified CallManager Administration will display an error and replace the last entered member of the Cisco Unified CallManager group with the new entry.
- B. Cisco Unified CallManager Administration will display an error message when you attempt to add the fourth member.
- C. The fourth member will be added to the sequential list.
- D. The new member will replace the first member on the list.

Correct Answer: B



To Read the [Whole Q&As](#), please purchase the [Complete Version](#) from [Our website](#).

Try our product !

100% Guaranteed Success

100% Money Back Guarantee

365 Days Free Update

Instant Download After Purchase

24x7 Customer Support

Average 99.9% Success Rate

More than 800,000 Satisfied Customers Worldwide

Multi-Platform capabilities - [Windows](#), [Mac](#), [Android](#), [iPhone](#), [iPod](#), [iPad](#), [Kindle](#)

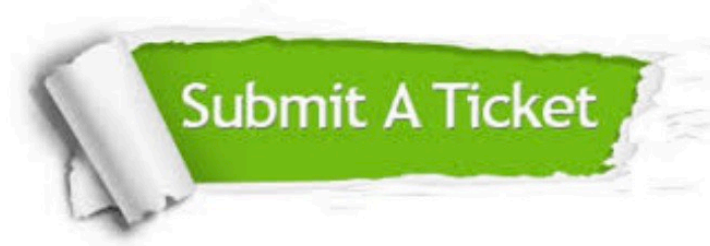
We provide exam PDF and VCE of Cisco, Microsoft, IBM, CompTIA, Oracle and other IT Certifications. You can view Vendor list of All Certification Exams offered:

<https://www.pass4itsure.com/allproducts>

Need Help

Please provide as much detail as possible so we can best assist you.

To update a previously submitted ticket:



 <p>One Year Free Update Free update is available within One Year after your purchase. After One Year, you will get 50% discounts for updating. And we are proud to boast a 24/7 efficient Customer Support system via Email.</p>	 <p>Money Back Guarantee To ensure that you are spending on quality products, we provide 100% money back guarantee for 30 days from the date of purchase.</p>	 <p>Security & Privacy We respect customer privacy. We use McAfee's security service to provide you with utmost security for your personal information & peace of mind.</p>
---	---	--

Any charges made through this site will appear as Global Simulators Limited.

All trademarks are the property of their respective owners.

Copyright © pass4itsure, All Rights Reserved.