



642-437^{Q&As}

Implementing Cisco Unified Communications Voice over IP and QoS
v8.0 (CVOICE v8.0)

Pass Cisco 642-437 Exam with 100% Guarantee

Free Download Real Questions & Answers **PDF** and **VCE** file from:

<https://www.pass4itsure.com/642-437.html>

100% Passing Guarantee
100% Money Back Assurance

Following Questions and Answers are all new published by Cisco
Official Exam Center

-  **Instant Download** After Purchase
-  **100% Money Back** Guarantee
-  **365 Days** Free Update
-  **800,000+** Satisfied Customers



**QUESTION 1**

Which signaling protocol is proprietary to Cisco?

- A. H.323
- B. SIP
- C. MGCP
- D. SCCP

Correct Answer: D

QUESTION 2

When a LAN switch port is configured with `mls qos trust cos`, if the `pass-through dscp` command option isn't present, how will the switch port treat incoming DSCP-marked frames?

- A. It will pass the DSCP-marked frames.
- B. It will re-mark the DSCP frames according to the CoS-to-DSCP mapping table.
- C. The port will re-mark the frames according to the DSCP-to-CoS mapping table.
- D. The switch port will convert the DSCP setting to CoS values and use that to select the egress queue for the frame.

Correct Answer: B

QUESTION 3

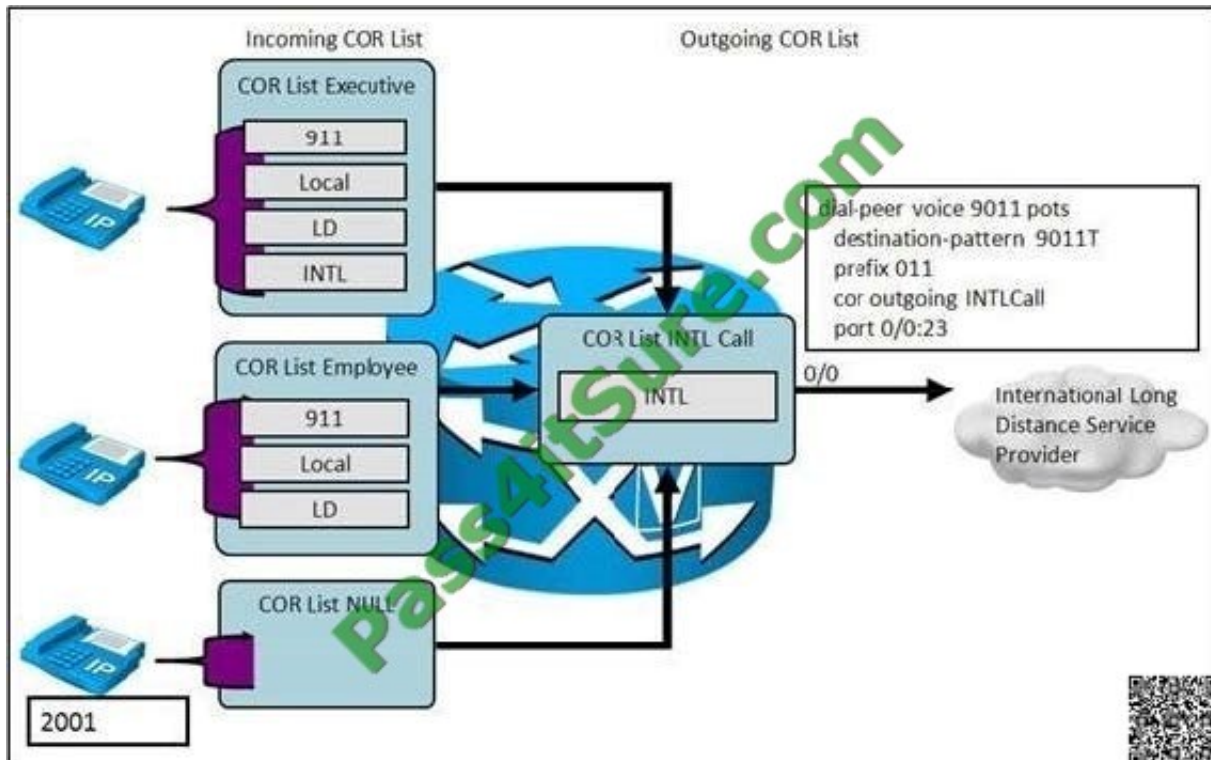
What is the maximum percentage of packet loss that can be accepted on VoIP traffic?

- A. less than 5%
- B. 0
- C. less than 2%
- D. less than 1%

Correct Answer: D

QUESTION 4

Refer to the exhibit. When an international call to 90114989531212001 is placed from extension 2001, which of the following statements is true?



- A. The call will fail because no incoming COR list is applied.
- B. The call will succeed because the incoming COR list is a superset of the outgoing COR list.
- C. The call will fail because the incoming COR list is not a superset of the outgoing COR list
- D. The call will succeed because the incoming COR list has the highest priority, by default, when no incoming COR list is applied.

Correct Answer: D

Explanation: By default, an incoming call leg has the highest COR priority and the outgoing COR list has the lowest COR priority. This means that if there is no COR configuration for incoming calls on a dial-peer, then you can make a call from this dial-peer (a phone attached to this dial-peer) going out of any other dial-peer, irrespective of the COR configuration on that dial-peer.

http://www.cisco.com/en/US/tech/tk652/tk90/technologies_configuration_example09186a00801_9d649.shtml

QUESTION 5

At what point in a VoIP network are the existing class of service or differentiated services code point values considered valid and are used throughout the rest of the network?

- A. trust boundary
- B. marking boundary
- C. access layer
- D. distribution layer



Correct Answer: A

QUESTION 6

Which option inside DHCP pool configuration gives a TFTP server to a Cisco IP phone?

- A. option 82
- B. option 110
- C. option 150
- D. option 176

Correct Answer: C

QUESTION 7

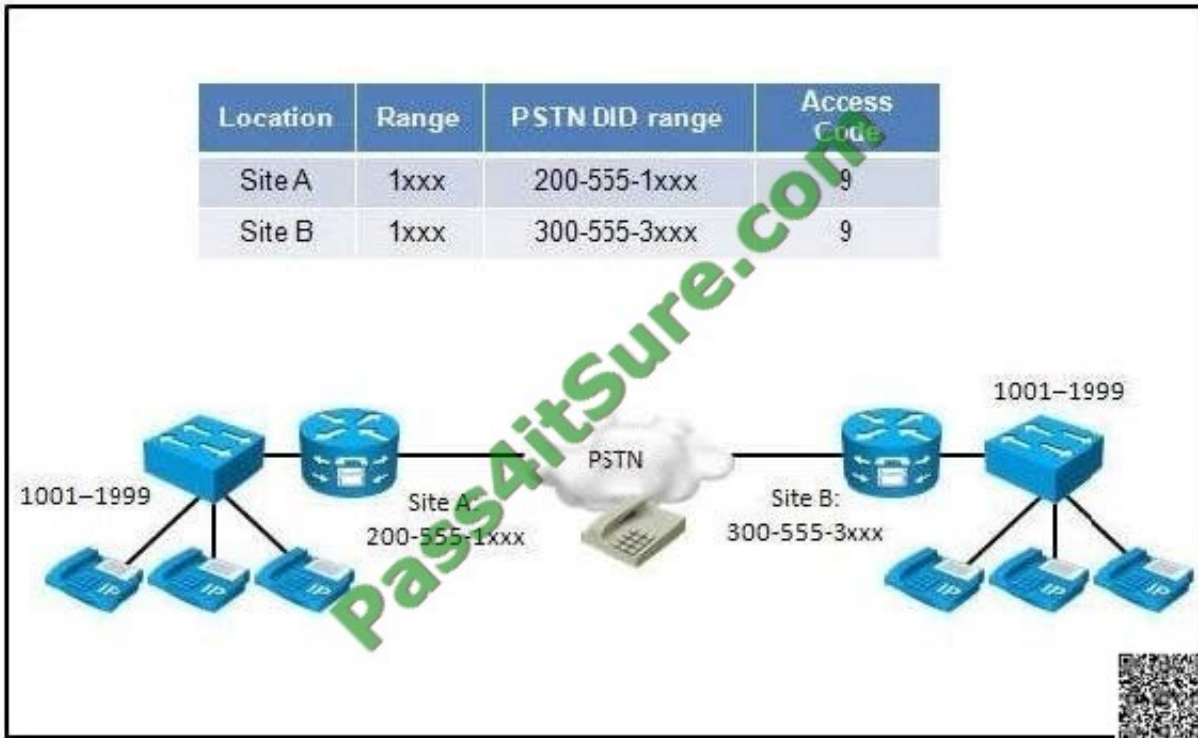
Dial peers and gateways are important in the call routing process. The call routing process is done based on the inbound dial-peer and outbound dial-peer matching process. Which two statements are true? (Choose two.)

- A. Dial peer 0 for inbound POTS peers has a "no ivr application" configuration.
- B. When a Cisco router or gateway receives a call setup request, a digit-by-digit match is used to match against configured dial peers.
- C. Cisco platforms such as the Cisco AS53xx and AS5800 Series require that a configured inbound dial peer is matched for incoming POTS calls to be accepted as voice calls.
- D. In order to modify the default interdigit timeout set for 10 seconds, issue this command. interdigit timeouts # seconds voice-port.

Correct Answer: AC

QUESTION 8

Refer to the exhibit. An administrator is migrating a PBX telephony system to a VoIP solution using a fixed numbering plan. The extension numbers and PSTN DIDs cannot be changed. Which of the following methods can be used in order to reach the individual extensions at Site B when called via the PSTN?



- A. The administrator can replace the last three digits of the DID with xxx to cover the individual extensions.
- B. The administrator can replace the last three digits of the DID with xxx and use translation rules to map the individual extensions.
- C. The administrator needs to implement an auto-attendant solution where individual extensions can be dialed.
- D. The administrator needs to map the last four digits in the DID to the extension numbers using translation rules.

Correct Answer: D

QUESTION 9

Drag the components that make up Cisco fax relay and T 38 from the left and drop them under the appropriate category on the right.

Select and Place:



Drag the components that make up Cisco fax relay and T.38 from the left and drop them under the appropriate category on the right.

- T.30 fax signaling spoofs a virtual fax machine to the locally attached fax machine.
- ITU-T standard that allows two fax machines to communicate as if there was a direct phone line. between
- RTP-based transmission method that uses proprietary signaling and encoding mechanisms.

Cisco Fax Relay

T.38

Correct Answer:

Drag the components that make up Cisco fax relay and T.38 from the left and drop them under the appropriate category on the right.

Empty boxes for dropping components.

Cisco Fax Relay

- T.30 fax signaling spoofs a virtual fax machine to the locally attached fax machine.
- RTP-based transmission method that uses proprietary signaling and encoding mechanisms.

T.38

- ITU-T standard that allows two fax machines to communicate as if there was a direct phone line. between

Explanation/Reference:

Cisco fax relay is the oldest method of supporting fax on Cisco IOS gateways and has been supported since Cisco IOS Release 11.3. Cisco fax relay uses Real-Time Transport Protocol (RTP) as the method of transport. In Cisco fax relay mode, gateways terminate T.30 fax signaling by spoofing a virtual fax machine to the locally attached fax machine. The



gateways use a Cisco-proprietary fax-relay RTP-based protocol to communicate between them.

T.38 Fax Relay provides an ITU-T standards-based method and protocols for fax relay. Data is packetized and encapsulated according to the T.38 standard. The encoding of the packet headers and the mechanism to switch from VoIP mode to fax relay mode are clearly defined in the specification.

http://www.cisco.com/en/US/docs/ios/12_3/vvf_c/voice_troubleshooting/old/vts_fax.html

QUESTION 10

Which command can be used to display the outgoing dial peer that is reached when the telephone number 919195551234 is dialed?

- A. show dialplan 919195551234
- B. show number 919195551234
- C. show dial-peer number 919195551234
- D. show dialplan number 919195551234

Correct Answer: D

QUESTION 11

Which command allows verification of RSVP configuration?

- A. show ip rsvp interface
- B. show ip rsvp installed detailed
- C. show ip interface detail
- D. show ip rsvp policy

Correct Answer: A

QUESTION 12

Which type of Session Initiation Protocol directory number supports the assignment of up to 10 telephone numbers and up to two active calls?

- A. multiple-number directory number (using single-line ephone-dns)
- B. dec-line
- C. multiple-number directory number (using dual-line ephone-dns)
- D. sip-ten-line

Correct Answer: C



VCE & PDF

Pass4itSure.com

<https://www.pass4itsure.com/642-437.html>

2021 Latest pass4itsure 642-437 PDF and VCE dumps Download

[Latest 642-437 Dumps](#)

[642-437 PDF Dumps](#)

[642-437 Exam Questions](#)



To Read the [Whole Q&As](#), please purchase the [Complete Version](#) from [Our website](#).

Try our product !

100% Guaranteed Success

100% Money Back Guarantee

365 Days Free Update

Instant Download After Purchase

24x7 Customer Support

Average 99.9% Success Rate

More than 800,000 Satisfied Customers Worldwide

Multi-Platform capabilities - [Windows](#), [Mac](#), [Android](#), [iPhone](#), [iPod](#), [iPad](#), [Kindle](#)

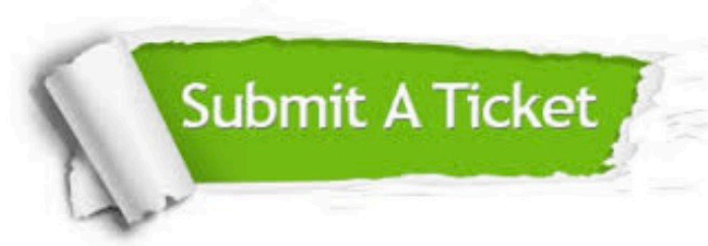
We provide exam PDF and VCE of Cisco, Microsoft, IBM, CompTIA, Oracle and other IT Certifications. You can view Vendor list of All Certification Exams offered:

<https://www.pass4itsure.com/allproducts>

Need Help

Please provide as much detail as possible so we can best assist you.

To update a previously submitted ticket:



 <p>One Year Free Update Free update is available within One Year after your purchase. After One Year, you will get 50% discounts for updating. And we are proud to boast a 24/7 efficient Customer Support system via Email.</p>	 <p>Money Back Guarantee To ensure that you are spending on quality products, we provide 100% money back guarantee for 30 days from the date of purchase.</p>	 <p>Security & Privacy We respect customer privacy. We use McAfee's security service to provide you with utmost security for your personal information & peace of mind.</p>
---	---	--

Any charges made through this site will appear as Global Simulators Limited.

All trademarks are the property of their respective owners.

Copyright © pass4itsure, All Rights Reserved.