

Exam : 640-444

Title : Cisco IP Telephony (CIPT)

Version : Demo

www.Pass4itSure.com

1. Which four characteristics would typically be used to define a device pool? (Choose four.)

- A. geographic proximity
- B. common use of codecs
- C. common MOH source
- D. common device type
- E. common class of service
- F. common calling search spaces for auto-registration

Answer:ABCF

2. What method of Call Admission Control (CAC) is used for centralized call processing? A. locations

- B. regions
- C. gatekeeper
- D. H.225
- E. gateway
- F. H.323

Answer:A

3. Two options exist for adding a gatekeeper-controlled trunk to support gatekeeper call administration control. Which two of the following options could be selected to configure the trunk type as shown in the exhibit? (Choose two.)

System Route Plan Service Feature Device User Application Help

Cisco CallManager Administration
For Cisco IP Telephony Solutions

Add a New Trunk

Select the type of Trunk you would like to create :

Trunk type*

Device Protocol*

* indicates required item

Partttion • thones

PatClttlon S z::vice
Po\lte Pattten XII

Partttion • Local
Route Pa c.et
Rouu Patutn 9.9

PO.Ltl tion • LOilt;IDi.:stonct
Route Pattetn XIi
Route ettet
Route Patteen 9.1(:!-9)XX[2-9j:000::XX

rottl tion • Intel06tlor,4J.
Route Pattern 9.011'

CSS A
Phone!!
Service

CSS B
Service
Loco!
LonoD1stance

CSS C
LonoDtunt:>t

CSS D Phones
LongDist.ence

Partttton • Vhonee

P z:tt
PoutPatt rn

?axtl lon RouPattern
X11 Route httecn
9.@

Pant uon • Lone)'Dutance
Route ra t*'n
RoiJct P<l.tttt.n 9. (2-9)XXY.XXX
P.outc Pot tun 9.11z.p:qz

Fatu uon • Intttnu
Route Patttr:n 9.011'

CSS "
Phone
!.etvice;

CSS S
Service Loeol
LonJf)!!!&."CC

CSS (
LonQ:I>l ta.n<:e

(SS U
f-bOM!!
LonQil t.ence

Translation Pattern Configuration

[Add a New Translation Pattern](#)
[Back to Find/List Translation Patterns](#)

Translation Pattern: 2XX

Status: Ready

[Copy](#) [Update](#) [Delete](#)

Pattern Definition

Translation Pattern

2XX

P_CallsFromRoomToRoom

RoomCallingRoom

North American Numbering Plan

<None>

CSS_Room

Default

Description

Numbering Plan*

Route Filter

Calling Search Space

MLPP Precedence

Urgent Priority

Use Calling Party's External Phone Number Mask

Calling Party Transform Mask

Prefix Digits (Outgoing Calls)

Calling Line ID Presentation

Calling Name Presentation

Connected Party Transformations

Connected Line ID Presentation

Connected Name Presentation

Called Party Transformations

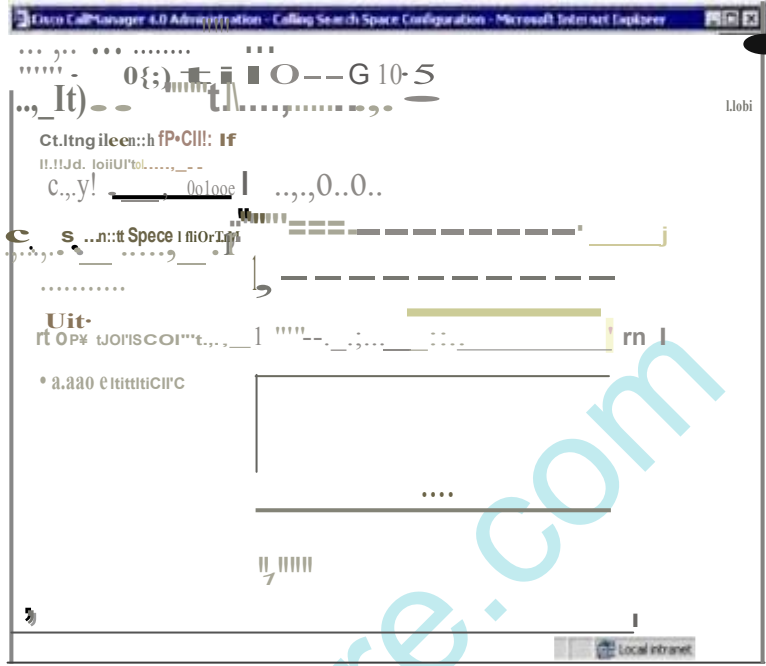
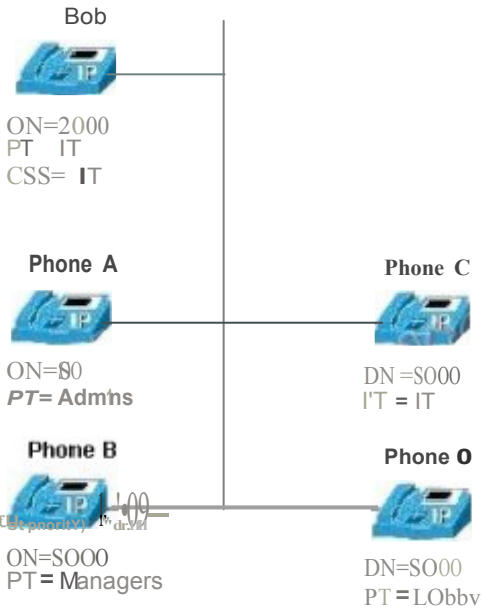
Discard Digits

Called Party Transform Mask

Prefix Digits (Outgoing Calls)

* indicates required item.

The safer, easier way to help I,OU pass any IT exams.



www.Pass4itSure.com

The safer, easier way to help you pass any IT exams.

Region configuration

siP t 2! C'QUm
Bad tC ... 'j {h154 P!!!OIQQ'-
DfC...Trt/ t'fron!-c

tee!Von; Bamt 4'etliInb-
...S. eO ,

Region Information

Region Name*

Call Information

fh m.I>:Jmum .DUdiU CLJd!!!C f 'ollAQ!;I J.;;dW"d'h suppd-r-ta.:f w;ll!l! Ih!!! r g!tln oJnd
twvvn ni'hPT rwq't!n;0're:

bgii!Jil _____ Audio CodWI _____ Vidlto CaU &.ndvidth

lUs:tra _____ IG.n9 **cl** _____ (/; r b

Maats:on _____ lu.ng :d _____ r k.bps

'Sunl P iarsburg _____ IG711 18 _____ r None kbos
(Wl thln thrs lllOn)

Location configuration

...R.Jj11d/JJ;I f,;:JQ;r;.
L'W!i"JrJo;nr-l P!!!iC"jl;.

lLnc : Uon: Madisnn
;:t i;J<: Fo.o.ad

Location Information

Location Name*

Audio Calls Information

Audio Bandwidth* Unlimited kbps

If the ...J 'luAitf11pooor ehopp-; lo"" r 7\, blin...,dth f!!!!tl-FOr JSO."•
u""•motlil • of '>l bcs f 0<bp5

Video Calls Information

Video Bandwidth* None Unlimited kbps

Partition = IP Phones

Partition = Service

Route Pattern [2-9]11

Partition = Local

Route Pattern 9.[2-9]XXXXXX

Partition = Long Distance

Route Pattern 9.1[2-9]XX[2-9]XXXXXX

Partition International

Route Pattern 9.011!

eSS A

IP Phones

Service

Local

eSSB

Service

Local

esSE

Long Distance

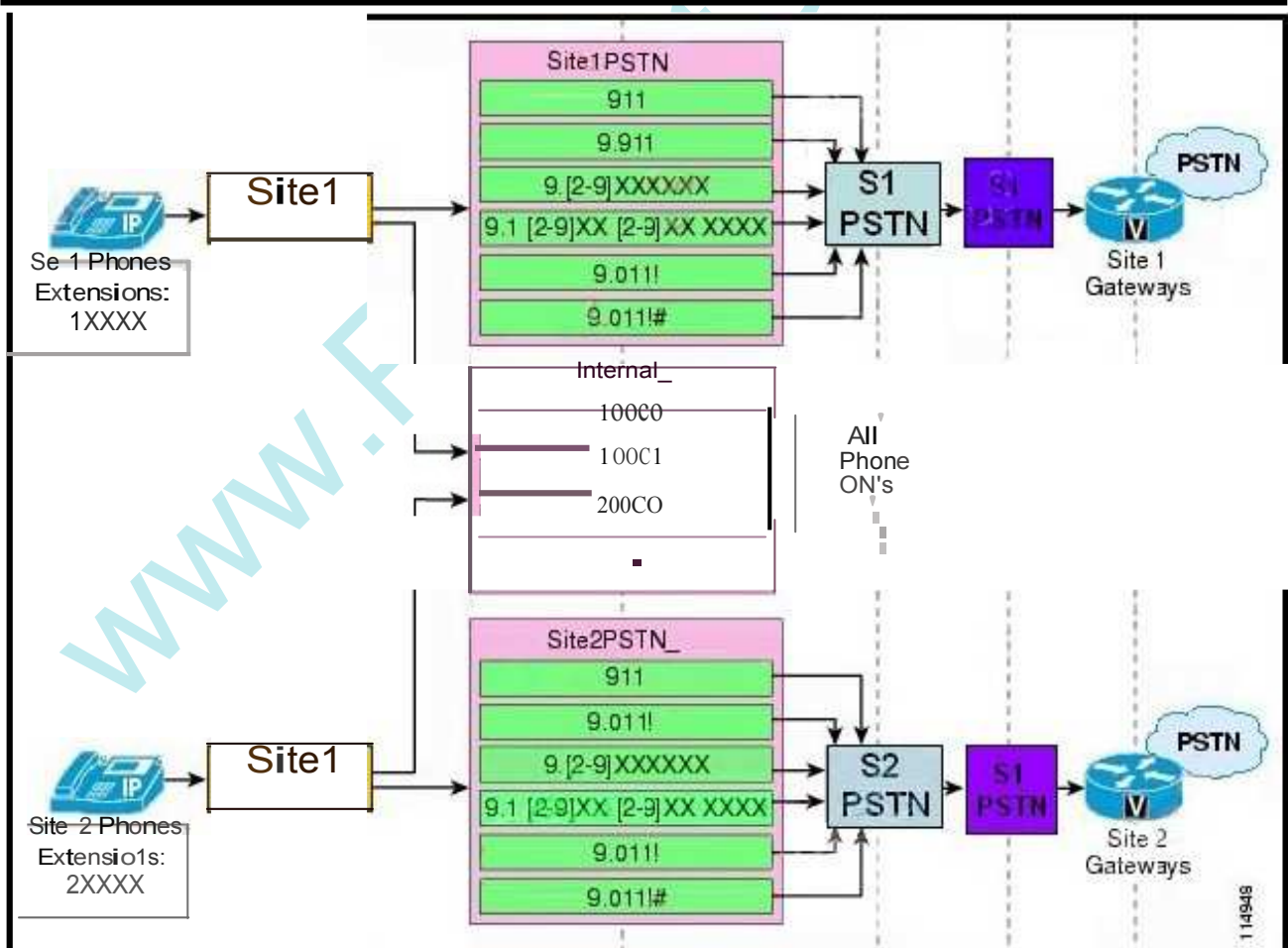
eSSD

IP Phones

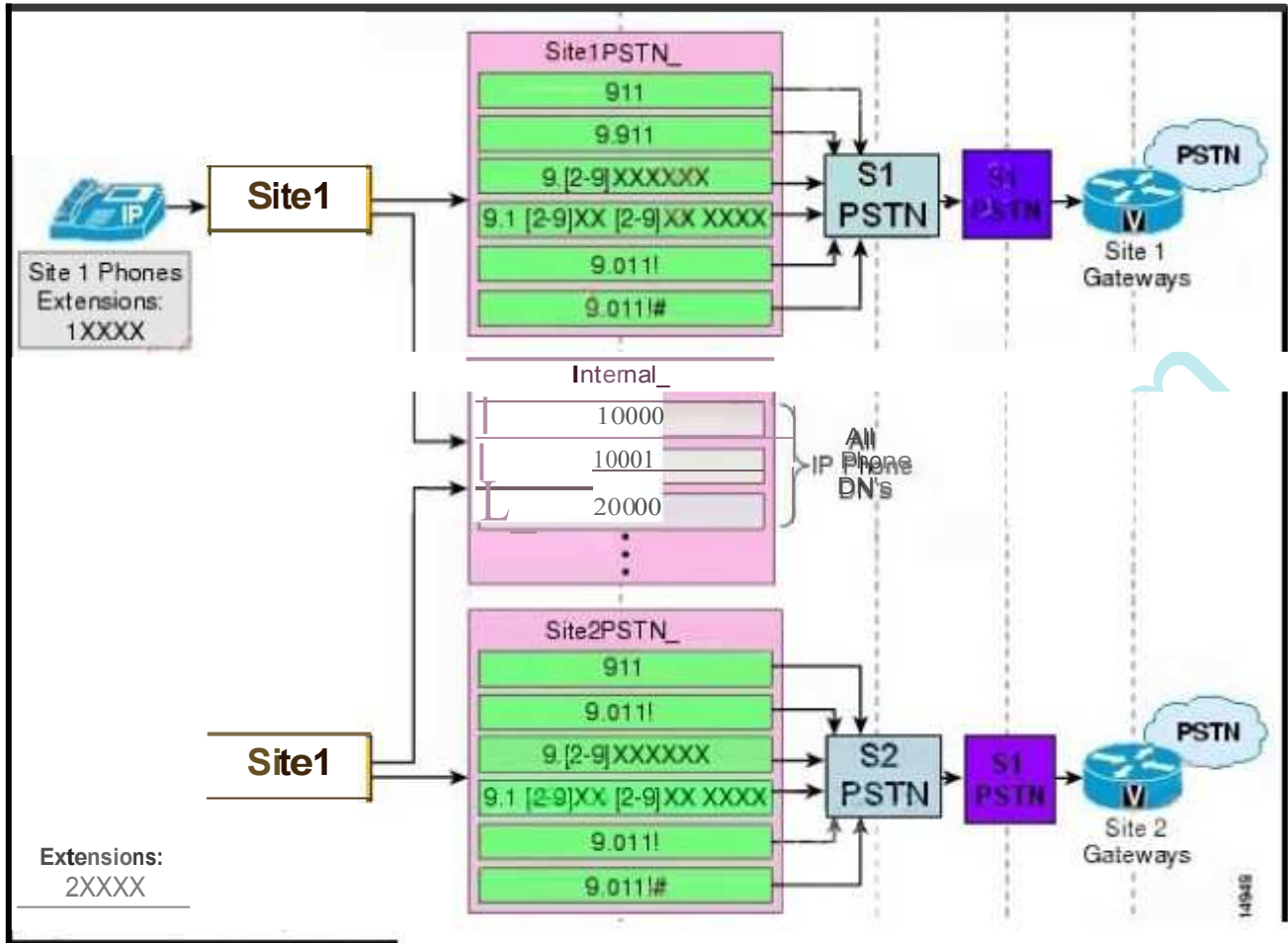
Service

Local

Long Distance



The safer ,easier waytohelpi'JU pass anyIT exams.



Microsoft Internet Explorer



You have updated the user device profile.
You need to log out and login again to the device with this profile for changes to take effect.

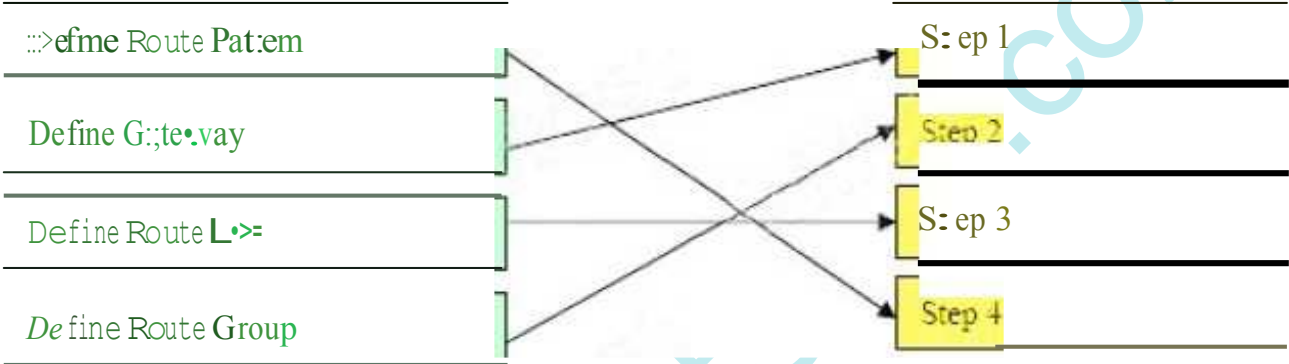
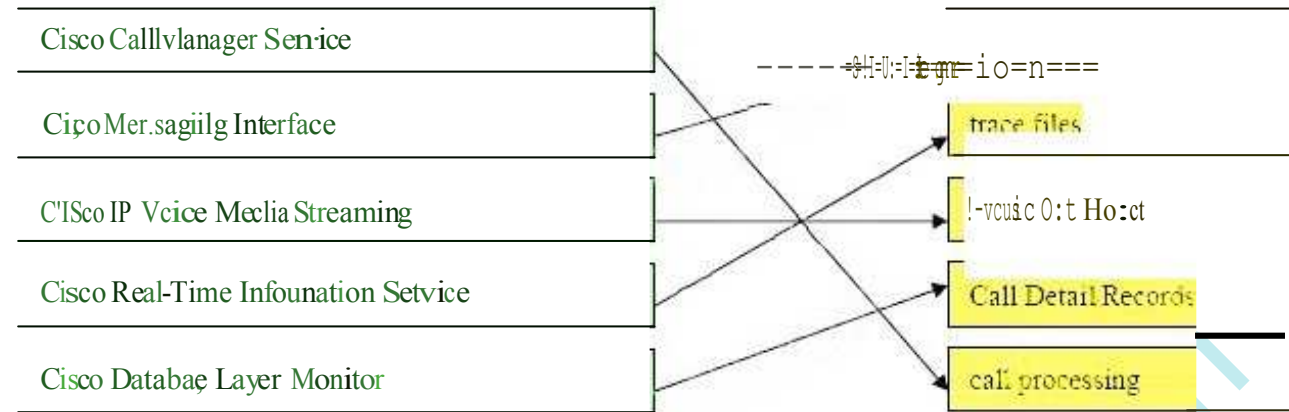
OK

o/o Failed to find Certificate Server's trustpoint at startup o/o Failed to find Certificate Server's cert.

% Failed to find Certificate Server's trustpoint at startup % Failed to find Certificate Server's cert.

WWW.P...

The safer, easier way to help you pass any IT exams.



It is used primarily to include digit patterns.

route pattern

It is used to include digit patterns.

It

route group

route group

It works in conjunction with some filters to direct traffic to specific devices and to include or exclude specific digits.

The safer ,easier waytohelpi'JU pass anyIT exams.

- Atell3te wt ta and CSGO CaUI fer whom tbt data is inrendtd
- Tampering ==ot occur on packets durwg transliUSston from the gateway to C:illManager
- T cannot occur ro packets dunug transiill">Slon from IP phone to gateway.
- Accurate tnlpretation of 3 packet&apos,s content\ btween the IP phone and the gateway md only pro,ided to those for whom the data is intended.the data is imended.

```

J .- .,a
J _- 't' c... (410')
J <-:gn.:hng Au:le:HI(:fJ l
'-tyn:AhllJ>'I";
    
```

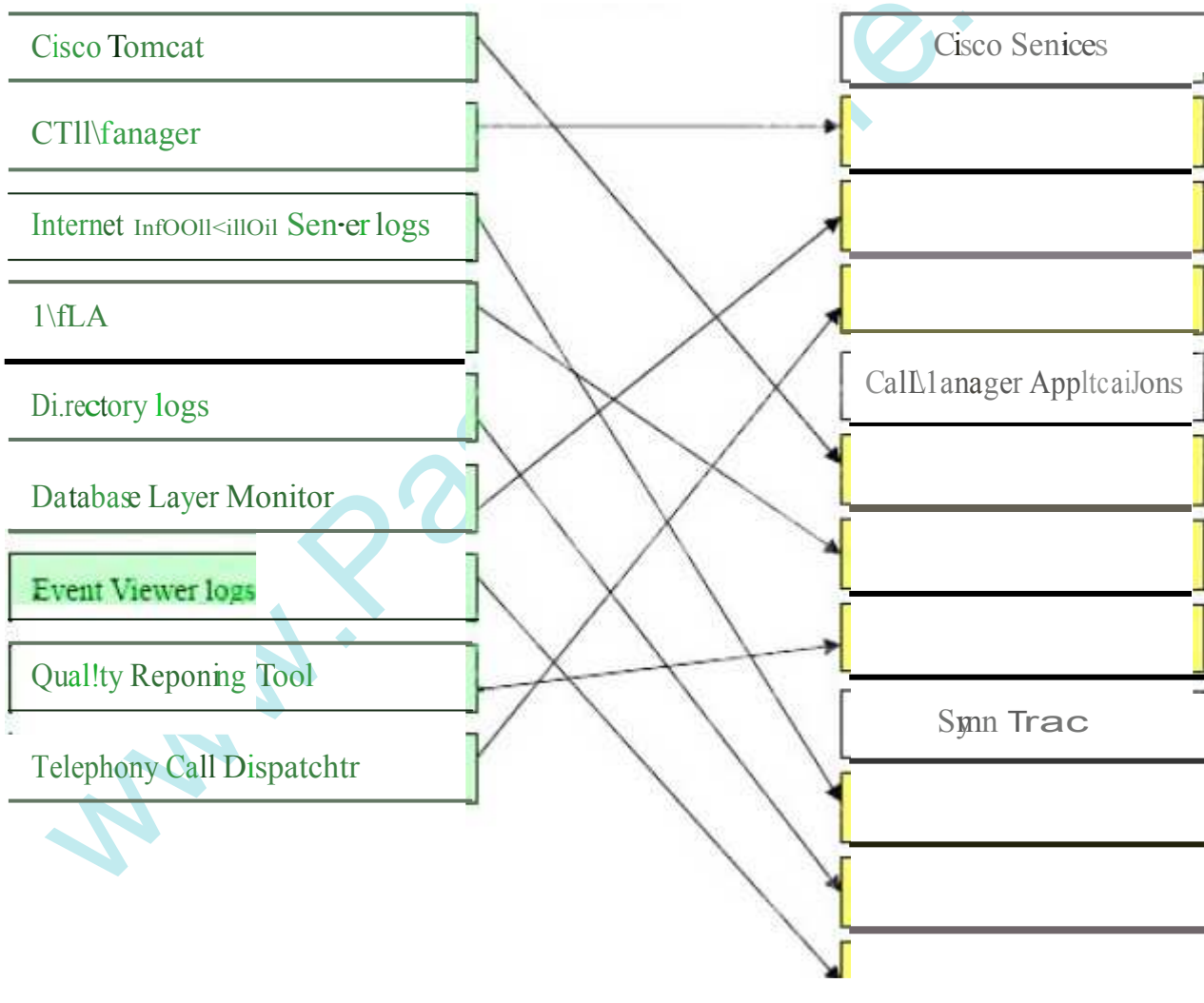
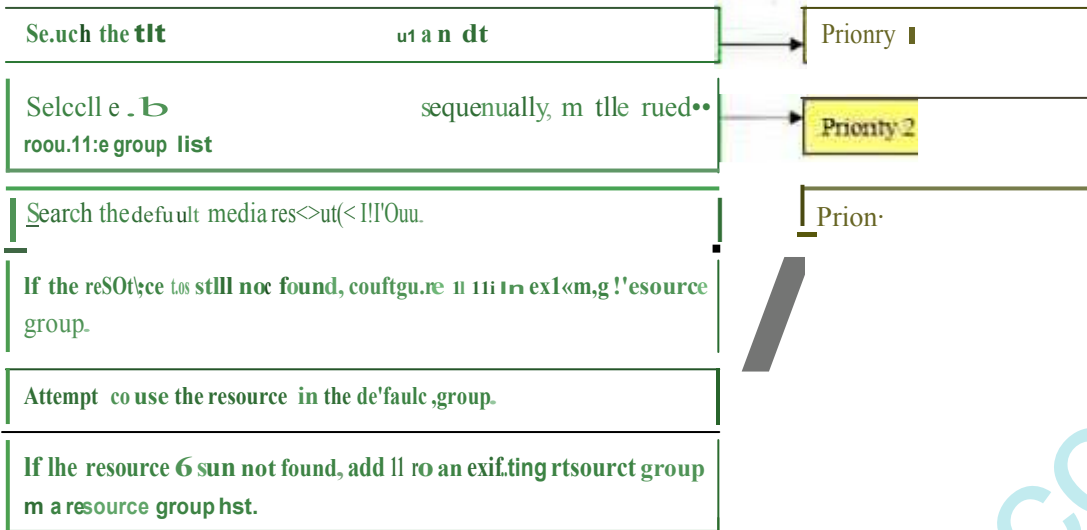
- Run Flag
- !ltoH Enabled
- Enable Base.r.tulucast
- Ma.'linmm >.:!ulocast Connecuons
- FL:ed Audio Source Devtee
- Muumuu H.!!Duplex Stream;
- Enable Muluc"

- !M il... Wilb a sound card, allows you to use a live radio broadcast for MoH
- Enables the number of devices that can be a source of multicast music.
- Determine: the number of devices to which a server can provide a unicast audio stream
- \\Lt.: <ec iO .!:ayO::KOL aj:.'!>.
- t>t .!:;tp('! YE'"-'!,p.) :('WI"K \k-1!

- titoo.l from/tht scrutiny of wuuthonztd lntnldF.""l
- uination of which rypes of ser."tces can be r.cts;tt
- rtion o.fldenIIIY

- Atuhortzal too
 - Authenttcau011
 - Ptl\3C)"
- D
D
O

The safer ,easier waytohelpi'JU pass anyIT exams.



- A. H.225 Trunk (Gatekeeper Controlled)
- B. Inter-Cluster Trunk (Gatekeeper Controlled)
- C. Intra-Cluster Trunk (Gatekeeper Controlled)

D. H.323 Trunk (Gatekeeper Controlled)

E. H.245 Trunk (Gatekeeper Controlled)

Answer:AB

4. Refer to the exhibit. What CSS should be assigned to a phone in the Phones partition to block calls to international numbers while allowing all other calls?

```
Partition = Phones
Partition = Service
  Route Pattern X11

Partition = Local
  Route Pattern X11
  Route Pattern 9.0

Partition = LongDistance
  Route Pattern X11
  Route Pattern 9.[2-9]XXXXXX
  Route Pattern 9.1[2-9]XX[2-9]XXXXXX

Partition = International
  Route Pattern 9.0111

CSS A
  Phones
  Service

CSS B
  Service
  Local
  LongDistance

CSS C
  LongDistance

CSS D
  Phones
  LongDistance
```

A. CSS A

B. CSS B

C. CSS C

D. CSS D

Answer:D

5. An IP phone user has dialed "15152412232". Which of the following route patterns will be used?

A. 1515[^0-1]4[123]+

B. 1515[^0-2]4[012]+ C.

1515[^0-1]41[2232] D.

1515[^0-2]412[012]+

E. will not match any of these patterns

Answer:A

6. Which three of the following can be assigned a partition? (Choose three.)

- A. gateway
- B. directory number
- C. translation pattern
- D. route pattern
- E. IP phone

Answer:BCD

7. A dial plan uses six-digit numbers where the first two digits are an access code and the last four digits are an extension. Access codes must begin with 7 or 8 and the second digit cannot be 0, 1, 5, or 9. Which two routepatterns will support this dial-plan requirement? (Choose two.)

- A. [78][2-4,6-8].XXXX
- B. [7-8][^0159].XXXX
- C. [^0-6,9][2-4,6-8].XXXX
- D. [^0-69][2-4678].XXXX
- E. [^78][^234678].XXXX

Answer:BD

8. When a phone needs a conference resource, which of the following Cisco CallManager objects is queried first? A. media resource device list B. media resource pool C. media resource group list D. media resource group

9. Which multiple line appearance parameter sets a number of calls per line beyond which all incoming calls are forwarded?

- A. Maximum Number of Calls
- B. Call Forward Busy
- C. No Answer Ring Duration
- D. Busy Trigger

Answer:D

10. Which two of these options can you use to prevent toll fraud? (Choose two.)

- A. Call Forward CSS
- B. IPSec encryption
- C. MLA
- D. forced authentication codes
- E. Call Transfer CSS

Answer:AD

11. Which two items can a route pattern be assigned? (Choose two.)

- A. gatekeepers that do not perform gateway functions
- B. route groups that contain one or more route filters
- C. gateways
- D. route lists that contain one or more route groups
- E. route filters
- F. route lists that contain one or more route filters

Answer:CD

12. You are working with a customer to deploy a pilot network to test how Cisco CallManager interoperates with SIP. Which two components need to be deployed for Cisco CallManager to interoperate with the SIP portion of the network? (Choose two.)

- A. Registrar server
- B. SIP to H.323 trunk
- C. SIP trunk
- D. proxy server
- E. redirect server
- F. location database

Answer:CD

13. A Cisco CallManager cluster contains one publisher and four subscribers. If the publisher is unavailable, which three of these statements are true? (Choose three.)

- A. The Microsoft SQL Server 2000 database automatically locks.
- B. New Cisco CallManager devices can be configured.
- C. The Microsoft SQL Server 2000 will save configuration changes on subscribers to be uploaded to the publisher when available.
- D. CDR collection is temporarily suspended on subscribers.
- E. All IP telephony devices continue to operate.
- F. Available Cisco CallManagers work from the local backup database.

Answer:AEF

14. Which three of these options correctly describe the role of a subscriber in a Cisco CallManager cluster? (Choose three.)

- A. replicates database to other Cisco CallManager servers
- B. maintains read-only copies of the configuration database
- C. processes IP telephony calls
- D. collects CDRs
- E. can have only one in a Cisco CallManager cluster
- F. maintains writeable copy of the configuration database

Answer:BCD

15. Which two of these services should be disabled during post-installation of Cisco CallManager to prevent potential intruders from finding server vulnerabilities? (Choose two.)

- A. Distributed File System
- B. FTP Publishing Service
- C. SSL Security Service
- D. Forward Publishing Service
- E. SRTP service
- F. SRCP service

Answer:AB

16. Which two of these events describe the relationship of an IP Phone to its secondary Cisco CallManager?(Choose two.)

- A. IP Phone sends a TCP keepalive message every 30 seconds.
- B. IP Phone sends a TCP keepalive message every 60 seconds.
- C. IP Phone sends a TCP connect message.
- D. IP Phone registers with secondary when primary is unavailable.
- E. IP Phone registers with primary when secondary is unavailable.
- F. IP Phone registers with all CallManagers initially including secondary.

Answer:CD

17. An auto parts retailer would like their service counter representatives to be able to assist both walk-up customers and telephone customers. Each store has six service counter representatives. Which call distribution algorithm will allow each service counter representative to provide the best customerservice?

- A. Top Down
- B. Circular
- C. Longest Idle Time
- D. Broadcast

Answer:D

18. An auto parts retailer would like their service counter representatives to assist both walk-up customers and telephone customers. Each store has six service counter representatives. Walk-up customers frequently engage allthe counter representatives and management is concerned that telephone customer business is being lost. From the list below, choose the appropriate call distribution algorithm and the appropriate call forwardingtreatment which will allow each store to provide the best customer service. (Choose two.)

- A. When hunting is exhausted, apply CFB and CFNA to the DN for the warehouse order puller.
- B. There is no need to configure CFB or CFNA; when hunting is exhausted, the call will automatically be routedto the warehouse order puller.
- C. Top Down
- D. Circular
- E. Longest Idle TimeF. Broadcast

Answer:AF

19. You are working with a customer to develop the methodology to secure IP Phones at their new research facility.They will be providing IP Phones in their lobby for vendor and guest use. Which two of these IP Phone hardening methods should be applied to these devices? (Choose two.)

- A. Enable GARP.
- B. Disable PC port on phone.
- C. Use signed IP phone firmware.
- D. Disable the Directory button.
- E. Disable the Services button on the IP phone.

Answer:BC

20. Which three options can you use to assign a softkey template? (Choose three.)

- A. Device > Phone Configuration
- B. Device > Device Settings > Device Profile
- C. Service > Service Parameters
- D. System > Device Defaults Configuration
- E. System > Device Pool Configuration
- F. System > Enterprise Parameters

Answer:ABE

www.Pass4itSure.com

Trying our product !

- ★ **100%** Guaranteed Success
- ★ **100%** Money Back Guarantee
- ★ **365 Days** Free Update
- ★ **Instant Download** After Purchase
- ★ **24x7** Customer Support
- ★ Average **99.9%** Success Rate
- ★ More than **69,000** Satisfied Customers Worldwide
- ★ Multi-Platform capabilities - **Windows, Mac, Android, iPhone, iPod, iPad, Kindle**

Need Help

Please provide as much detail as possible so we can best assist you.

To update a previously submitted ticket:



Submit A Ticket

One Year Free Update



Free update is available within One Year after your purchase. After One Year, you will get 50% discounts for updating. And we are proud to boast a 24/7 efficient Customer Support system via Email.



Money Back Guarantee

To ensure that you are spending on quality products, we provide 100% money back guarantee for 30 days from the date of purchase.



Security & Privacy

We respect customer privacy. We use McAfee's security service to provide you with utmost security for your personal information & peace of mind.

Guarantee & Policy | Privacy & Policy | Terms & Conditions

Any charges made through this site will appear as Global Simulators Limited.

All trademarks are the property of their respective owners.

Copyright © 2004-2014, All Rights Reserved.