



50-696^{Q&As}

Foundations of Novell Open Enterprise Server NetWare

Pass Novell 50-696 Exam with 100% Guarantee

Free Download Real Questions & Answers **PDF** and **VCE** file from:

<https://www.pass4itsure.com/50-696.html>

100% Passing Guarantee
100% Money Back Assurance

Following Questions and Answers are all new published by Novell
Official Exam Center

-  **Instant Download** After Purchase
-  **100% Money Back** Guarantee
-  **365 Days** Free Update
-  **800,000+** Satisfied Customers





QUESTION 1

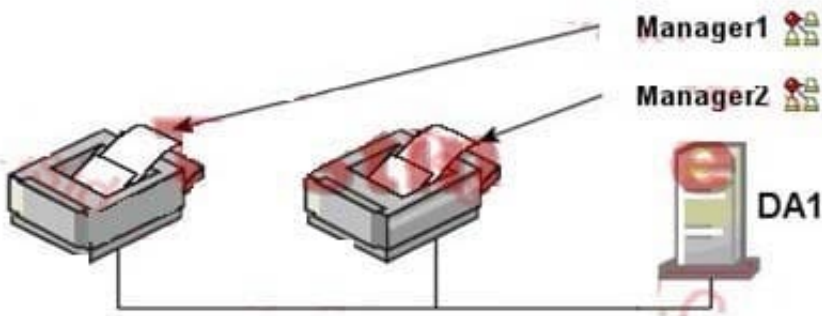
Which OES NetWare module increases performance for multiprocessor systems and provides support for some hardware configurations from specific vendors?

- A. LAN Module
- B. Host Adapter Module
- C. Custom Device Module
- D. HotPlug Support Module
- E. Platform Support Module

Correct Answer: E

QUESTION 2

Click the Exhibit button to begin.



You are configuring an iPrint system for your company. Your Vice President's office is on the same floor as the offices of several design engineers. The Vice President has her own private printer for printing confidential documents. The design engineers have a high-end color laser printer that they share. You've decided to use your DA1 server to provide iPrint services. To keep confidential print jobs separate from regular print jobs, you decide to create two iPrint Manager objects in the eDirectory tree and load two instances of the iPrint Manager on DA1 to support each Manager object. Will this configuration work?

- A. Yes, all iPrint requirements have been met.
- B. No, iPrint doesn't support color laser printers in the current release.
- C. No, you can't load two instances of the iPrint Manager software on the same server.
- D. No, the iPrint Manager software shouldn't be loaded on server that is also providing file storage services.
- E. No, the iPrint Manager software is only needed if the printers are connected directly to server LPT ports using a



parallel cable.

Correct Answer: C

QUESTION 3

Click the Point and Click button to begin.

Click the tab in the Novell Client that you can use to specify the login sequence used to authenticate to the network.

Hot Area:

Item 31 of 66

Time Remaining: 1:07:55

Point and Click

Click the Point and Click button to begin.

Click the tab in the Novell Client that you can use to specify the login sequence used to authenticate to the network.

Novell Client for Windows

User Name: rhugie

Password:

Workstation only

NDS Script Windows Dial-up NMAS

Tree: DA-TREE Trees

Context: SLC.DA Contexts

Server: DA1 Servers

OK Cancel Shutdown... Advanced <<

Click Next (or More) to continue.

Next Help

Correct Answer:



Item 45 of 66 Time Remaining: 1:06:28

Point and Click

Click the Point and Click button to begin.

An employee resigned his position in your company today. You need to remove his user object in the tree. Click on the iManager option you would use to do this.

Point and Click

Novell iManager

Collection Owner Access

User: admin.SLC.DA.DA-TREE

- Roles and Tasks
- Archive / Version Management
- Cluster Administration
- DHCP
- DNS
- Dynamic Groups
- eDirectory Administration
- eDirectory Maintenance
- File Access (NetStorage)
- File Protocols
- Groups
- Help Desk
- Install and Upgrade

Novell iManager
Version 2.0.2

You are currently logged in as user **admin.SLC.DA** in the tree with Collection Owner access.

Click Next (or More) to continue.

QUESTION 4

By default, Public is made a trustee of the tree root during installation and granted the _____ right to it.

Correct Answer: Browse

QUESTION 5

You suspect that someone has used BURGLAR.NLM to create a rogue admin user and has hidden it in your tree. Which file can you check to see if an unauthorized NLM was loaded?

- A. SYSTEM.LOG
- B. SYS\$LOG.ERR
- C. NLMLOAD.LOG
- D. CONSOLE.\$OG



- E. \$HISTORY.LOG
- F. CONSOLELOG.TXT
- G. UNAUTHORIZED. LOG

Correct Answer: B

QUESTION 6

Your company has recently hired a number of new technical support engineers. These employees will need access to knowledgebase documents stored on an OES NetWare server volume. They will also need to be able to create new documents and edit existing documents. All the documents will be saved within the KNOWLEDGE directory structure on the SUPPORT volume. Rather than assign file system rights to each individual user object, to which objects could you assign rights to make the process more manageable? (Choose 2.)

- A. Group objects
- B. Alias objects
- C. Server objects
- D. Template objects
- E. Directory Map objects
- F. Organizational Unit objects
- G. Organizational Role objects

Correct Answer: AF

QUESTION 7

During the installation of OES NetWare, the installation program automatically detects the .HAM drivers needed for your system. What type of hardware do .HAM drivers support?

- A. WAN communication devices.
- B. Peripheral devices, such as printers.
- C. Storage adapters, such as SCSI boards.
- D. Communication devices, such as network boards.
- E. Storage devices, such as CD-ROM or hard disk drives.
- F. Special hardware configurations, such as a multiprocessor system.

Correct Answer: C



QUESTION 8

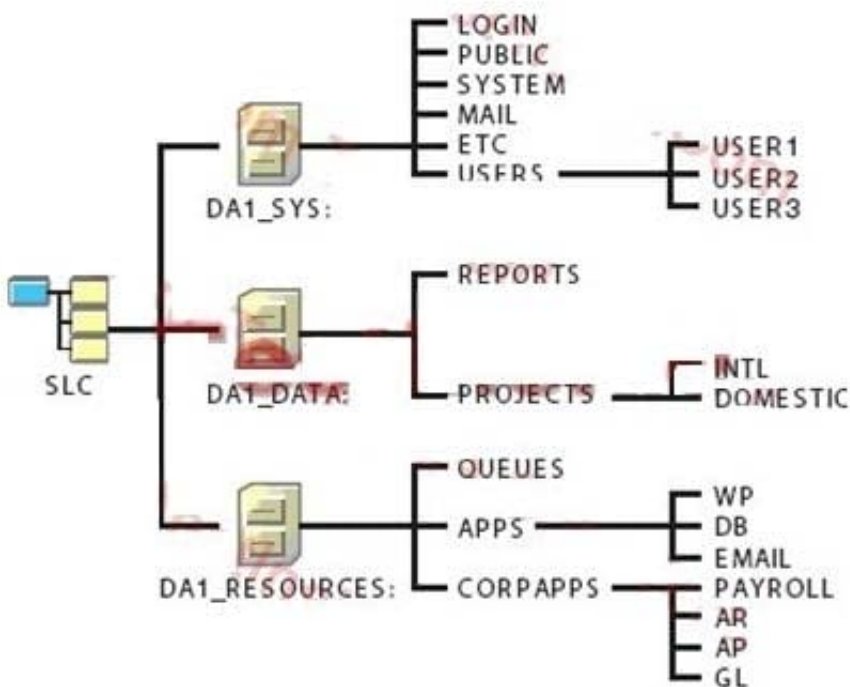
You're designing the eDirectory tree for your company. Your company is composed of four distinct subsidiary organizations. You decide to create four Organization objects at the root of your tree to represent each. Each subsidiary has its own Vice President who is in charge of the organization. You decide to create a user object for each Vice President in their respective Organization object. Will this design work?

- A. Yes, all eDirectory rules have been observed.
- B. No, user objects can't reside within an Organization object.
- C. No, Organization objects can only reside within Country objects.
- D. No, there can only be one Organization object within a given tree.
- E. No, Organization objects should not be used to represent subsidiaries. Organizational Unit objects should be used instead.

Correct Answer: A

QUESTION 9

Click the Exhibit button to begin.



Which element of the file system design shown in the exhibit violates Novell's recommendations?

- A. The MAIL directory should reside on a volume other than SYS.
- B. The QUEUES directory should be placed on a volume other than DATA.



C. The USERS directory and subsequent subdirectories should not reside on SYS.

D. The SYS, DATA, and RESOURCES volume objects should not be placed in the same container.

E. The REPORTS, PROJECTS, QUEUES, APPS, and CORPAPPS directories shouldn't be split between DATA and RESOURCES.

Correct Answer: C

QUESTION 10

Which product can be used to track eDirectory security issues? (Choose 2.)

A. OpenSSH

B. BindView

C. NMAP.EXE

D. BURGLAR.NLM

E. SETPASS.NLM

F. Novell NSure Audit

G. Novell Branch Office Server

H. Novell exteNd Application Server

Correct Answer: BF

QUESTION 11

Click the Point and Click button to begin.

Hot Area:



Item 18 of 66 Time Remaining: 1:10:47

Point and Click

Click the Point and Click button to begin.

You have configured the global server policy on your iFolder server such that user data is encrypted as it is transferred between the iFolder client and the iFolder server. You are concerned that users might disable this option and do not want it displayed in the iFolder client. Click the iFolder Management Console option you would use to do this.

Point and Click

iFolder Management Novell.

User: admin (Master LDAP)

Global Settings

- [General Info](#)
- [Global Policies](#)
- [Admin Names](#)
- [User LDAPs](#)
- [iFolder Servers](#)

Client Policies

Encryption *	<input checked="" type="checkbox"/> On	<input type="checkbox"/> Enforced	<input type="checkbox"/> Hidden
Save Password	<input type="checkbox"/> On	<input type="checkbox"/> Enforced	<input type="checkbox"/> Hidden
Save Pass Phrase	<input type="checkbox"/> On	<input type="checkbox"/> Enforced	<input type="checkbox"/> Hidden
Recover Pass Phrase *	<input checked="" type="checkbox"/> On	<input type="checkbox"/> Enforced	<input type="checkbox"/> Hidden
Automatic Sync	<input checked="" type="checkbox"/> On	<input type="checkbox"/> Enforced	<input type="checkbox"/> Hidden
Sync To Server Delay (sec.)	<input type="text" value="5"/>	<input type="checkbox"/> Enforced	<input type="checkbox"/> Hidden
		Min	Max
		<input type="text" value="3"/>	<input type="text" value="86400"/>
Sync From Server Interval (sec.)	<input type="text" value="20"/>	<input type="checkbox"/> Enforced	<input type="checkbox"/> Hidden
		Min	Max
		<input type="text" value="10"/>	<input type="text" value="86400"/>
Conflict Bin Space (MB)	<input type="text" value="25"/>	<input type="checkbox"/> Enforced	<input type="checkbox"/> Hidden
		Min	Max
		<input type="text" value="0"/>	<input type="text" value="100"/>
iFolder Location *	<input type="text" value="(My Documents)\iFolder\{User Name}\iHome"/>		
	<input type="checkbox"/> Enforced	<input type="checkbox"/> Hidden	

Click Next (or More) to continue.

Correct Answer:



Item 18 of 66 Time Remaining: 1:10:47

Point and Click

Click the Point and Click button to begin.

You have configured the global server policy on your iFolder server such that user data is encrypted as it is transferred between the iFolder client and the iFolder server. You are concerned that users might disable this option and do not want it displayed in the iFolder client. Click the iFolder Management Console option you would use to do this.

Point and Click

iFolder Management Novell

User: admin (Master LDAP)

Global Settings

- [General Info](#)
- [Global Policies](#)
- [Admin Names](#)
- [User LDAPs](#)
- [iFolder Servers](#)

Client Policies

Encryption *	<input checked="" type="checkbox"/> On	<input type="checkbox"/> Enforced	<input checked="" type="checkbox"/> Hidden
Save Password	<input type="checkbox"/> On	<input type="checkbox"/> Enforced	<input type="checkbox"/> Hidden
Save Pass Phrase	<input type="checkbox"/> On	<input type="checkbox"/> Enforced	<input type="checkbox"/> Hidden
Recover Pass Phrase *	<input checked="" type="checkbox"/> On	<input type="checkbox"/> Enforced	<input type="checkbox"/> Hidden
Automatic Sync	<input checked="" type="checkbox"/> On	<input type="checkbox"/> Enforced	<input type="checkbox"/> Hidden
Sync To Server Delay (sec.)	<input type="text" value="5"/>	<input type="checkbox"/> Enforced	<input type="checkbox"/> Hidden
		Min	Max
		<input type="text" value="3"/>	<input type="text" value="86400"/>
Sync From Server Interval (sec.)	<input type="text" value="20"/>	<input type="checkbox"/> Enforced	<input type="checkbox"/> Hidden
		Min	Max
		<input type="text" value="10"/>	<input type="text" value="86400"/>
Conflict Bin Space (MB)	<input type="text" value="25"/>	<input type="checkbox"/> Enforced	<input type="checkbox"/> Hidden
		Min	Max
		<input type="text" value="0"/>	<input type="text" value="100"/>
iFolder Location *	<input type="text" value="{My Documents}\iFolder\{User Name}\iHome"/>		
	<input type="checkbox"/> Enforced	<input type="checkbox"/> Hidden	

Click Next (or More) to continue.

QUESTION 12

You're implementing OES NetWare for a small business client: Jessica's Bakery. There is only one server in the network. You've named the server BAKERY1 and installed it into an eDirectory tree named JESSICASBAKERY-TREE. You've

used a random password generator to create a password for the tree's Admin user.

You've placed the server hardware next to the point-of-sale system in the customer area of the bakery. All workstations have the latest Novell Client installed on them. You created a directory named SHARED on the server's DATA volume

where employees can share files. Does this configuration meet Novell's security recommendations?

- A. Yes, all Novell Security guidelines have been met.
- B. No, you shouldn't use shared directories.
- C. No, the server should be located in a locked room.
- D. No, passwords created with a random password generator aren't complex enough.
- E. No, you shouldn't use the business name in the server or eDirectory tree names.



Correct Answer: C

QUESTION 13

You've configured an iPrint printer on your DA2 server, which has an IP address of 10.200.200.2. Your users now need to connect to the server through a web browser and install the printer using the default printer list generated by iPrint. Which URL should they use in their browser window to do this?

- A. <http://10.200.200.2:631/ipp>
- B. <http://10.200.200.2:631/iPrint.htm>
- C. <http://10.200.200.2/iPrintdocs/ipp>
- D. <http://10.200.200.2/ippdocs/maps.htm>

Correct Answer: A

QUESTION 14

Which OES service is not available on the NetWare platform?

- A. eGuide
- B. iFolder 3.x
- C. Identity Manager
- D. Apache Web Server

Correct Answer: B

QUESTION 15

The WIDGET1 OES NetWare server resides in .SLC. WIDGET. All of its associated volume objects reside in the same context. The Jjenkins user object also resides in .SLC. WIDGET. What rights does he have, by default, to the SYS:\PUBLIC directory on WIDGET1?

- A. Read
- B. Supervisor
- C. Read, Write
- D. Read, File Scan
- E. Read, Write, Create
- F. Write, Create, Erase
- G. Read, Erase, File Scan



H. Read, Write, Create, Erase

I. Read, Write, Create, Erase, Modify

J. Jjenkins has no rights to SYS:\PUBLIC.

K. Read, Write, Create, Erase, Modify, File Scan, Access Control

Correct Answer: D

[50-696 PDF Dumps](#)

[50-696 Practice Test](#)

[50-696 Braindumps](#)