



350-601^{Q&As}

Implementing and Operating Cisco Data Center Core Technologies
(DCCOR)

Pass Cisco 350-601 Exam with 100% Guarantee

Free Download Real Questions & Answers **PDF** and **VCE** file from:

<https://www.pass4itsure.com/350-601.html>

100% Passing Guarantee
100% Money Back Assurance

Following Questions and Answers are all new published by Cisco
Official Exam Center

- ⚙️ **Instant Download** After Purchase
- ⚙️ **100% Money Back** Guarantee
- ⚙️ **365 Days** Free Update
- ⚙️ **800,000+** Satisfied Customers





QUESTION 1

Refer to the exhibit.

```
<?xml version="1.0" encoding="UTF-8"?><imdata totalCount="1"><error code="403" text="Token was invalid (Error: Token timeout)"/></imdata>
```

An engineer configures a new application profile using REST API and receives this error message. Which method can be used before application profile can be configured?

- A. POST to aaaLogin
- B. POST to aaaRefresh
- C. POST to aaaLogout
- D. GET to aaaListDomains


Correct Answer: A

https://www.cisco.com/c/en/us/td/docs/switches/datacenter/aci/apic/sw/2-x/rest_cfg/2_1_x/b_Cisco_APIC_REST_API_Configuration_Guide/b_Cisco_APIC_REST_API_Configuration_Guide_chapter_01.html

Authentication

REST API username- and password-based authentication uses a special subset of request Universal Resource Identifiers (URIs), including **aaaLogin**, **aaaLogout**, and **aaaRefresh** as the DN targets of a POST operation. Their payloads contain a simple XML or JSON payload containing the MO representation of an **aaaUser** object with the attribute name and **pwd** defining the username and password: for example, `<aaaUser name='admin' pwd='password'/>`. The response to the POST operation will contain an authentication token as both a Set-Cookie header and an attribute to the **aaaLogin** object in the response named **token**, for which the XPath is `/imdata/aaaLogin/@token` if the encoding is XML. Subsequent operations on the REST API can use this token value as a cookie named **APIC-cookie** to authenticate future requests.

Subscription

The REST API supports the subscription to one or more MOs during your active API session. When any MO is created, changed, or deleted because of a user- or system-initiated action, an event is generated. If the event changes the data on any of the active subscribed queries, the APIC will  out a notification to the API client that created the subscription.

QUESTION 2

Refer to the exhibit.



```
ACI-Leaf1# show ip route vrf DATACENTER:DC
10.20.1.0/24, ubest/mbest: 1/0, attached, direct, pervasive
  *via 10.0.8.65%overlay-1, [1/0], 4w3d, static
172.16.100.0/24, ubest/mbest: 1/0
  *via 10.1.168.95%overlay-1, [200/5], 3wod, bgp-132, internal, tag 132 (mpls-vpn)
172.16.99.0/24, ubest/mbest: 1/0
  *via 10.0.1.14, [20/0], 3wod, bgp-132, external, tag 200
```

Which two statements about the routing table of the leaf switch are true? (Choose two.)

- A. The next hop 10.0.1.14 for route 172.16.99.0/24 is the TEP address of a border leaf in ACI.
- B. 172.16.100.0/24 is a BD subnet in ACI.
- C. The next hop 10.0.8.65 for route 10.20.1.0/24 is the TEP address of a border leaf in ACI.
- D. The next hop 10.1.168.95 for route 172.16.100.0/24 is the TEP address of a border leaf in ACI.
- E. 10.20.1.0/24 is a BD subnet in ACI.

Correct Answer: DE

QUESTION 3

A network engineer repeatedly saves a configuration on Catalyst switches to NVRAM using the write memory command. What action should be taken to implement the same action on Nexus switches?

- A. Use the write memory command to save the configuration.
- B. Use the alias command to use the write memory command.
- C. Use the exit command to leave the configuration mode and save the configuration automatically.
- D. Use the wri command to use the copy running-config startup-config command.

Correct Answer: B

Reference: <https://community.cisco.com/t5/switching/write-command-on-nexus-switchs/td-p/1958386>

QUESTION 4

What is an advantage of using Ansible for automation as compared to puppet and chef?

- A. Ansible automates the enforcement of configuration settings.
- B. Ansible perform automation without installing a software agent on the target node.
- C. Ansible configures a set of CLI commands on a device by using NETCONF.



D. Ansible abstracts a scenario so that set of configuration setting can be used across multiple operating systems.

Correct Answer: B

QUESTION 5

Which component is disrupted when the Cisco Integrated Management Controller is upgraded on a Cisco UCS Series Server?

- A. SAN traffic
- B. Cisco UCS Manager
- C. KVM sessions
- D. data traffic

Correct Answer: C

Although the procedure to update the firmware version using Linux, EFI, or KVM is the same, be aware that when you activate the new firmware version, the connection to the CIMC is reset, and the KVM window will close

QUESTION 6

Refer to the exhibit.

```
show install all impact epld bootflash:n9000-epld.6.1.2.I3.1.img
```

What is the outcome of this command when the EPLD is updated on a Cisco Nexus 9000 series switch?

- A. displays the compatibility of the EPLD upgrade and the image in the bootflash
- B. shows a simulated upgrade of the EPLD
- C. upgrades the EPLD on the switch disruptively
- D. displays the impact of the upgrade on the operation of the switch

Correct Answer: D

You can use the `show install impact epld bootflash:` command to determine whether the EPLDs can be upgraded for all the modules or for specific modules on a switch. This command indicates the current EPLD images, new EPLD images, and whether the upgrades would be disruptive to switch operations.

<https://www.cisco.com/c/en/us/td/docs/switches/datacenter/nexus9000/sw/6-x/epld/n9k-epld-rn-61.html>

QUESTION 7



An engineer requires a solution to automate the configuration and deployment of remote network devices for a customer. The engineer must keep these considerations in mind:

1.

The customer's environment is based on industry-accepted standards and requires a solution that meets these standards.

2.

The security requirements mandate the use of a secure transport mechanism between the automation software and target devices such as SSH or TLS.

3.

The solution must be based on a human-readable and easy to parse format such as XML or JSON. Which solution must be used to meet these requirements?

A. SNMP

B. REST API

C. Ansible

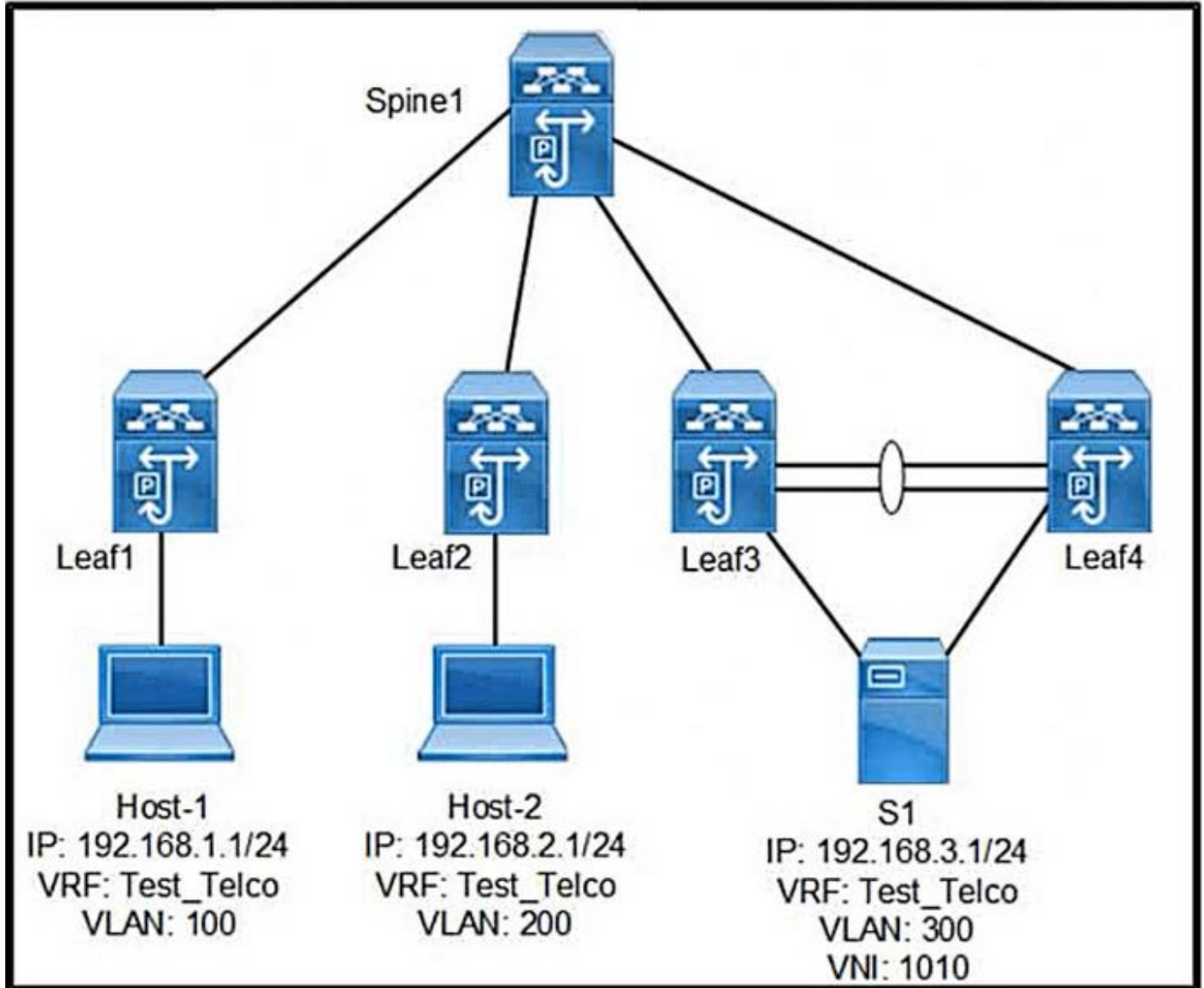
D. NETCONF

Correct Answer: D

<https://www.cisco.com/c/en/us/products/collateral/ios-nx-os-software/ios-xe/nb-06-cisco-ios-xe-faq-en.html>

QUESTION 8

Refer to the exhibit. A VXLAN data center fabric consists of three hosts mapped to different VLANs. Ingress VTEPs perform Layer 2 bridging and Layer 3 routing. Egress VTEPs only perform a Layer 2 bridging lookup. Which VNI values must be set to allow inter-VNI communication?



- A. VLAN 100 to Layer 2 VNI 2020 Test_Telco_VRF to Layer 3 VNI 5050
- B. VLAN 100 to Layer 2 VNI 2020 VLAN 200 to Layer 2 VNI 5050
- C. VLAN 100 to Layer 2 VNI 2020 Test_Telco_VRF to Layer 3 VNI 1010
- D. VLAN 100 to Layer 2 VNI 1010 VLAN 200 to Layer 2 VNI 1010

Correct Answer: B

QUESTION 9

Where does the witness VM reside in a Cisco Hyperflex Edge deployment?

- A. Windows application



- B. Hyper Rex Data Platform
- C. Cisco Intersight
- D. local HyperFlex datastore

Correct Answer: C

QUESTION 10

AN engineer is implementing an import operation in Cisco UCS Manager. What is the impact of performing this operation?

- A. A configuration can be imported from a higher release to a lower release.
- B. Information can be modified on the management plane only.
- C. Only a configuration file that was exported from the same Cisco UCS Manager can be imported.
- D. An import operation can be scheduled.

Correct Answer: B

The import function is available for all configuration, system configuration, and logical configuration files. You can perform an import while the system is up and running. An import operation modifies information on the management plane only. Some modifications caused by an import operation, such as a change to a vNIC assigned to a server, can cause a server reboot or other operations that disrupt traffic

https://www.cisco.com/en/US/docs/unified_computing/ucs/sw/gui/config/

[guide/141/UCSM_GUI_Configuration_Guide_141_chapter43.html#concept_D789E16C90724AEFB99D565574E45AD5](https://www.cisco.com/en/US/docs/unified_computing/ucs/sw/gui/config/guide/141/UCSM_GUI_Configuration_Guide_141_chapter43.html#concept_D789E16C90724AEFB99D565574E45AD5)

QUESTION 11

Which two components are used by the Cisco Nexus switches telemetry process? (Choose two)

- A. data encoding
- B. data manipulation
- C. telemetry agent
- D. telemetry compression
- E. data collection

Correct Answer: AE

QUESTION 12

A Cisco Nexus 7000 Series switch runs VXLAN, and interface Ethernet 7/30 is configured as a trunk port. Which



command set configures the switch to act as a gateway for VLAN 50?

interface Ethernet7/30 no switchport no shutdown service instance 1 vni no shutdown

A. encapsulation profile VSI_50_TO_500 default

B. encapsulation profile vni VSI_50_TO_500 dot1q 500 vni 50 bridge-domain 500 member vni 50 interface Vlan500 ip address 10.50.50.51/24

C. encapsulation profile vni VSI_50_TO_500 dot1q 500 vni 50 bridge-domain 500 member vni 50 interface Bdi500 ip address 10.50.50.51/24

D. encapsulation profile vni VSI_50_TO_500 dot1q 50 vni 500 bridge-domain 50 member vni 500 interface Bdi50 ip address 10.50.50.51/24

E. encapsulation profile vni VSI_50_TO_500 dot1q 50 vni 500 bridge-domain 50 member vni 500 interface Vlan50 ip address 10.50.50.51/24

Correct Answer: C

QUESTION 13

An engineer must configure a Cisco UCS domain for monitoring and management by the Cisco Intersight SaaS platform. After the setup is complete, administrators must have full control to configure the device through Cisco UCS Manager and Intersight.

Which set of actions accomplishes this task?

A. Configure Device Connector Access Mode as Allow Control in Device Console Claim the device on Intersight as UCSM Managed Mode.

B. Configure Device Connector Access Mode as Allow Control in Cisco UCS Manager Claim the device on intersight as Intersight Managed Mode

C. Configure Device Connector Access Mode as Allow Control in Device Console. Claim the device on Intersight as Intersight Managed Mode.

D. Configure Device Connector Access Mode as Allow Control in Cisco UCS Manager Claim the device on intersight as UCSM Managed Mode

Correct Answer: D

QUESTION 14

Refer to the exhibit.



```

switch# show install all impact epld n9000-epld.9.2.1.img
Compatibility check:
Module           Type           Upgradable     Impact         Reason
-----
1                SUP           YES            disruptive     Module Upgradable

Retrieving EPLD versions... Please wait.

Images will be upgraded according to following table:
Module  Type  EPLD           Running-Version  New-Version  Upg-Required
-----
1       SUP  MI FPGA       0x23             0x23        No
1       SUP  IO FPGA       0x06             0x06        No
1       SUP  MI FPGA2     0x23             0x23        No

```

A network engineer plans to upgrade the current software images of a Cisco Nexus switch. What is the impact of starting the EPLD upgrade?

- A. The switch reboots multiple times for the new EPLD versions to take effect.
- B. The switch reboots one time for the new EPLD versions to take effect.
- C. The switch skips the EPLD upgrade for MIFPGA and proceeds with the other EPLD devices.
- D. The switch skips the EPLD upgrade for each EPLD device of the switch.

Correct Answer: D

https://www.cisco.com/c/en/us/td/docs/switches/datacenter/nexus9000/sw/92x/epld-rn/nxos_n9K_epldRN_924.html

QUESTION 15

A customer wants to offload some of its order processing to a public cloud environment. The customer environment is based on Cisco ACI and uses Puppet with contained applications. The operations team requires a solution to orchestrate and optimize the cost of the new solution. Which product must be used to meet these requirements?

- A. Cisco Intersight
- B. Cisco Workload Optimization Manager
- C. Cisco CloudCenter
- D. Cisco Data Center Network Manager

Correct Answer: C

<https://www.cisco.com/c/dam/en/us/products/collateral/cloud-systems-management/cloudcenter/white-paper-c11-737224.pdf>



-
- Enforce multicloud governance by guiding user decisions to reduce risk
-
- Securely automate deployment to reduce manual effort and get consistent results
-
- Increase feature velocity via integration with developer tools to accelerate time to market (CI/CD = Puppet, Chef, and Ansible).
- Optimize cloud consumption to cut pay-per-use cloud costs <https://www.cisco.com/c/en/us/products/collateral/cloud-systems-management/cloudcenter-suite/datasheet-c78-741886.html>

[350-601 PDF Dumps](#)

[350-601 Practice Test](#)

[350-601 Study Guide](#)