



# 300-615<sup>Q&As</sup>

Troubleshooting Cisco Data Center Infrastructure (DCIT)

## Pass Cisco 300-615 Exam with 100% Guarantee

Free Download Real Questions & Answers **PDF** and **VCE** file from:

<https://www.pass4itsure.com/300-615.html>

100% Passing Guarantee  
100% Money Back Assurance

Following Questions and Answers are all new published by Cisco  
Official Exam Center

-  **Instant Download** After Purchase
-  **100% Money Back** Guarantee
-  **365 Days** Free Update
-  **800,000+** Satisfied Customers



**QUESTION 1**

Refer to the exhibit.

```
switch# show fabric-binding violations vsan 6
-----
VSAN Switch WWN [domain] Last-Time [Repeat count] Reason
-----
6 20:00:00:05:15:80:4e:3b [*] Mar 24 01:46:12 2020 [2] sWWN not found
```

A switch fails to join the storage area network fabric in VSAN 6 where the fabric binding is enabled. Which configuration set resolves the issue?

- A. 

```
switch# fabric-binding database vsan 6
switch(config)# fabric-binding database activate vsan 6
switch(config-fabric-binding)# swwn 20:00:00:05:15:80:4e:3b
switch(config)# fabric-binding vsan 6 enable
```
- B. 

```
switch# fabric-binding database copy vsan 6
switch(config)# fabric-binding database vsan 6
switch(config-fabric-binding)# swwn 20:00:00:05:15:80:4e:3b
switch(config)# fabric-binding activate vsan 6
```
- C. 

```
switch# fabric-binding database enable vsan 6
switch(config)# fabric-binding database active
switch(config-fabric-binding)# swwn 20:00:00:05:15:80:4e:3b
switch(config)# fabric-binding vsan 6 configure
```
- D. 

```
switch# fabric-binding database activate vsan 6
switch(config)# fabric-binding database
switch(config-fabric-binding)# swwn 20:00:00:05:15:80:4e:3b
switch(config)# fabric-binding copy vsan 6
```

A. Option A

B. Option B

C. Option C

D. Option D

Correct Answer: B

**QUESTION 2**

Refer to the exhibit.

```
%ZONE-2-ZS_MERGE_FAILED: %$VSAN 1%$ Zone merge failure, isolating interface fc2/1 error:
Received rjt from adjacent switch:[reason:0]

%ZONE-2-ZS_MERGE_FAILED: %$VSAN 1%$ Zone merge failure, isolating interface fc1/2 error:
Member mismatch

%ZONE-2-ZS_MERGE_ADJ_NO_RESPONSE: Adjacent switch not responding, isolating interface

%ZONE-2-ZS_MERGE_FULL_DATABASE_MISMATCH: Zone merge full database mismatch on interface
```

An engineer deploys a SAN environment with two interconnected Cisco MDS 9000 Series Switches. When the engineer attempts a zone merge, it fails with the error that is presented in the exhibit. Which action resolves the issue?

- A. Import or export a zone set between the switches to synchronize the switches.
- B. Change the name of one of the zones to match the other zone set.
- C. Set the distribute policy of the zone to full.
- D. Ensure that the zone members have different names.

Correct Answer: D

Reference: [https://www.cisco.com/c/en/us/td/docs/switches/datacenter/nexus5000/sw/troubleshooting/guide/N5K\\_Troubleshooting\\_Guide/n5K\\_ts\\_sans.html](https://www.cisco.com/c/en/us/td/docs/switches/datacenter/nexus5000/sw/troubleshooting/guide/N5K_Troubleshooting_Guide/n5K_ts_sans.html)

[https://www.cisco.com/en/US/docs/storage/san\\_switches/mds9000/sw/rel\\_3\\_x/troubleshooting/guide/ts\\_guide.pdf](https://www.cisco.com/en/US/docs/storage/san_switches/mds9000/sw/rel_3_x/troubleshooting/guide/ts_guide.pdf)

---

**QUESTION 3**

An engineer troubleshoots a failed DCBX exchange between a server and a Cisco Nexus switch. Which action allows DCBX to successfully negotiate?

- A. Enable ETS
- B. Enable PFC.
- C. Enable Cisco Discovery Protocol.
- D. Enable LLDP.

Correct Answer: D

**QUESTION 4**



Refer to the exhibit.

```
GET
https://172.16.10.1/api/mo/uni.xml?rsp-subtree=modified
<fvTenant name="Test1" />

Response:
<imdata>
  <fvTenant childAction="deleteNonPresent"
    descr="" dn="uni/tn-Test1"
    lcOwn="local" modTs="2019-08-26T18:27:11.408+00:00"
    monPolDn=""
    name="Test1" ownerKey="" ownerTag="" rn="" status="created" uid="15374">
    <fvRsTenantMonPol
      childAction="deleteNonPresent" forceResolve="no" lcOwn="local"
      modTs="2019-08-26T18:27:11.408+00:00"
      monPolDn="" rType="mo" rn="rsTenantMonPol"
      state="unformed" stateQual="none" status="created"
      tCl="monEPGPo1" tContextDn="" tDn="" tRn=""
      tType="name" tnMonEPGPo1Name="" uid="0" />
    </fvTenant>
  </imdata>
```

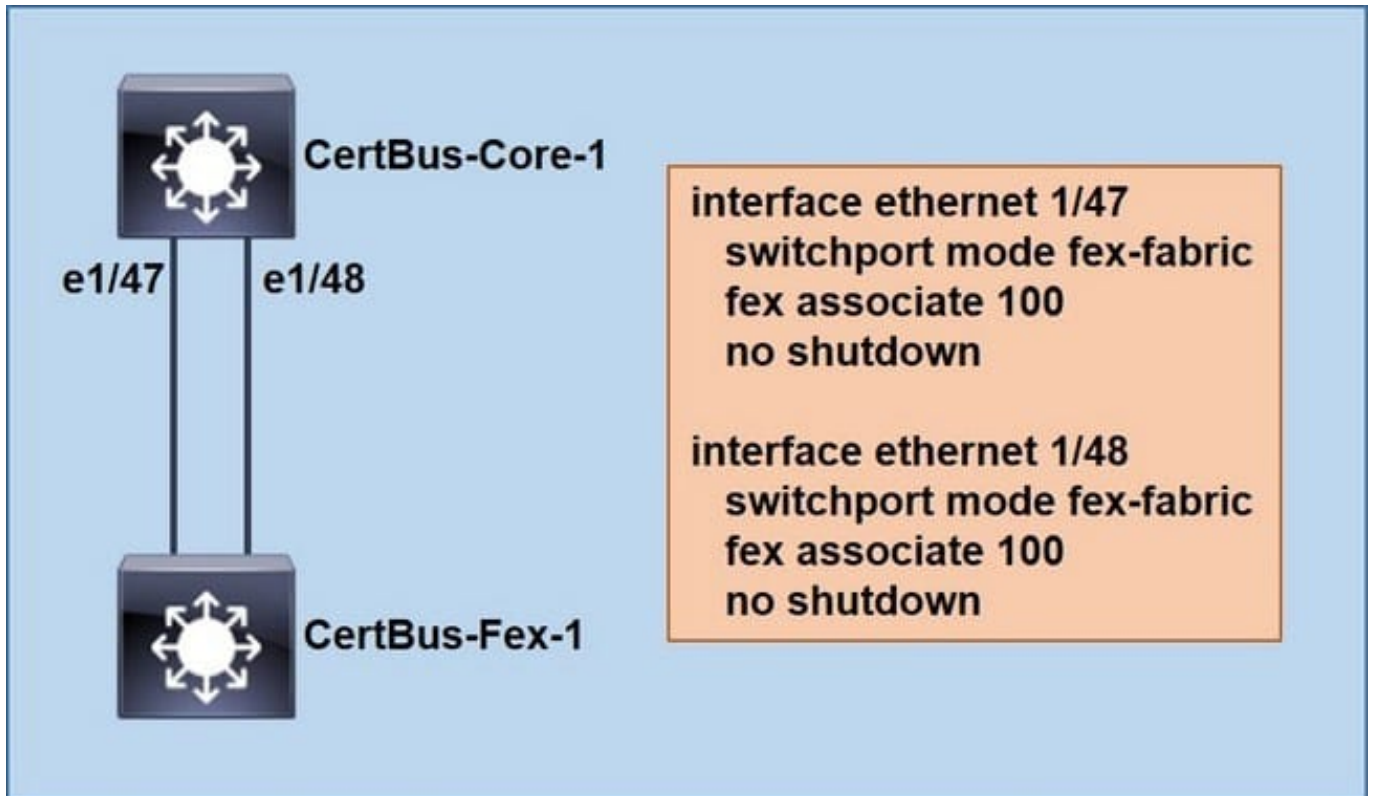
An engineer performs a POST operation using REST API on the Cisco Nexus switch to retrieve a managed object, but the operation fails. Which configuration resolves the issue?

- A. `https://172.16.10.1/api/node/mo/uni/tn-Test1.xml?rsp-subtree=modified=config-only`
- B. `https://172.16.10.1/api/node/mo/uni/tn-Test1.xml?rsp-subtree=fullandrsp-prop-include=config-only`
- C. `icurl -k -v https:// 172.16.10.1/api/node/mo/uni/tn-Test1.xml?rsp-subtree=modified=config-only`
- D. `icurl -k -v https://172.16.10.1/api/mo/uni.xml?rsp-subtree=no`

Correct Answer: B

## QUESTION 5

Refer to the exhibit.



An engineer must connect CertBus-Fex-1 and CertBus-Core-1 so that the traffic flow between the two devices uses load balancing. After inspecting the statistics of the interconnecting interfaces, the engineer concludes that only one link is used. Which action resolves the problem?

- A. Configure source-destination load balancing on CertBus-Core-1.
- B. Configure each uplink to be a member of a separate LACP port channel.
- C. Configure the pinning max-link as 2.
- D. Configure destination-mac load balancing on CertBus-Core-1

Correct Answer: C

[https://www.cisco.com/c/m/en\\_us/techdoc/dc/reference/cli/n5k/commands/pinning-max-links.html](https://www.cisco.com/c/m/en_us/techdoc/dc/reference/cli/n5k/commands/pinning-max-links.html)

## QUESTION 6

A network engineer experiences the error "DDR3\_P1\_B1\_ECC" when upgrading Cisco UCS firmware. Which action resolves the issue?

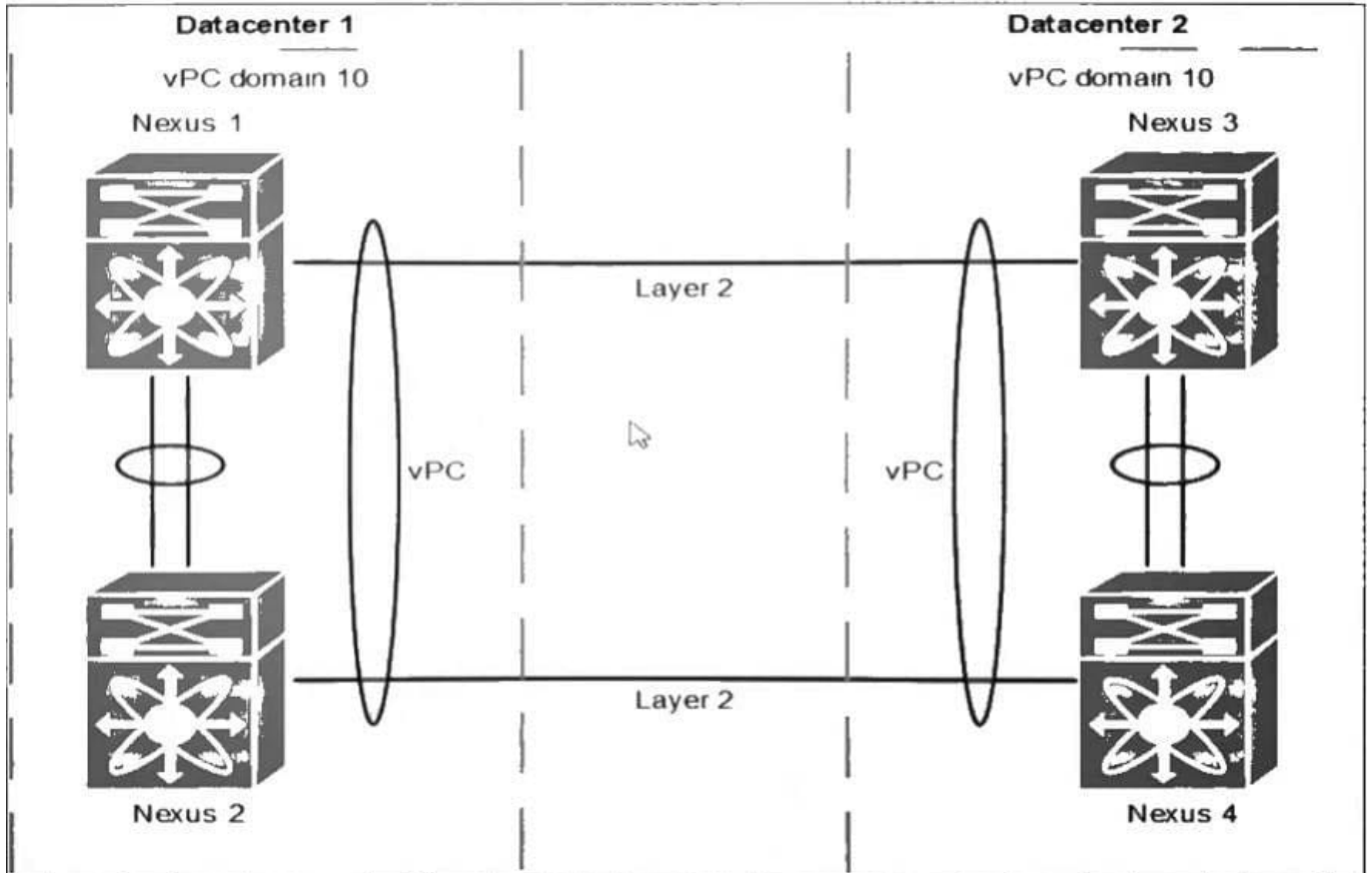
- A. Reset the DIMM
- B. Reset the BMC firmware
- C. Reflash the controller firmware
- D. Reflash the DIMM



Correct Answer: A

### QUESTION 7

Refer to the exhibit.



The administrator set up two pairs of Cisco Nexus switches. The administrator set different vPC priorities on all four Nexus switches. As soon as the administrator activates the vPC between the two pairs the network faces different issues. The problems range from both Nexus pairs declare themselves as root bridge, as well as spanning-tree inconsistencies and traffic forwarding issues. Which action resolves these issues?

- A. Change the role priority on one pair.
- B. Configure peer-config-check-bypass on both pairs.
- C. Configure a vPC peer link between both peers.
- D. Change domain ID on one pair to a different ID.

Correct Answer: D

### QUESTION 8



Refer to the exhibit.

```

MDS-1#
zoneset name ESX vsan 10
zone name ESX01_B vsan 10
 * fcid 0x010a0e [pwwn 20:00:00:25:b5:aa:41:ba]
   fcid 0x840001 [pwwn 52:4a:93:7e:47:1d:ce:02]
   fcid 0x840021 [pwwn 52:4a:93:7e:47:1d:ce:06]
VSAN 10:
FCID      TYPE PWWN          (VENDOR)      FC4-TYPE:FEATURE
0x840041  N   52:4a:93:7e:47:1d:ce:04      scsi-fcp:target
0x840061  N   52:4a:93:7e:47:1d:ce:08      scsi-fcp:target
0x010a0e  N   20:00:00:25:b5:aa:41:ba      scsi-fcp:init
VSAN 20:
FCID      TYPE PWWN          (VENDOR)      FC4-TYPE:FEATURE
0x840001  N   52:4a:93:7e:47:1d:ce:02      scsi-fcp:target
0x840021  N   52:4a:93:7e:47:1d:ce:06      scsi-fcp:target
FI-A /org/service-profile #
vHBA:
  Name: vHBA1
  Fabric ID: B
  Dynamic WWPN: 20:00:00:25:B5:BB:41:BA
  Equipment: sys/chassis-1/blade-1/adaptor-1/host-fc-1
  Template Name: vHBA_SAN_B
  Oper Nw Templ Name: org-root/san-conn-templ-vHBA_SAN_B
  Adapter Policy: Windows
  Oper Adapter Policy: org-root/fc-profile-Windows
vHBA Template:
  Name          Type          Fabric ID
  -----
  vHBA_SAN_B    Updating Template B
FI-B(nxos) #
-----
INTERFACE VSAN FCID          PORT NAME          NODE NAME          EXTERNAL
-----
vfc2981    10    0x010a0e 20:00:00:25:b5:bb:41:ba 20:00:00:25:b5:a4:00:c9 San-pol11

```

A blade that is connected to FI-B fails to boot from a SAN LUN. The boot policy is configured to boot by using vHBA1 as the SAN Primary. Which set of actions resolves the issue?

- A. Set VSAN to 20 in vHBA\_SAN\_B Template. Configure ESX01\_B zone to VSAN 20.
- B. Set ESX01\_B zone to VSAN 20. Create a new vHBA and assign VSAN 20.
- C. Change vHBA1 to VSAN 20 in Service Profile. Apply VMware Adapter Policy on vHBA1.
- D. Apply VMware Adapter Policy on vHBA1. Change vHBA1 to VSAN 20 in Service Profile.

Correct Answer: A

### QUESTION 9

Refer to the exhibit.



```
leaf1# show interface ethernet 1/11
Ethernet1/11 is up (out-of-service)
admin state is up, Dedicated Interface
  Hardware: 1000/10000 Ethernet, address: e4aa/5d94.a2b5 (bia e4aa.5d94.a2b5)
  MTU 9000 bytes, BW 10000000 Kbit, DLY 1 usec
  reliability 255/255, txload 1/255, rxload 1/255
  Encapsulation ARPA, medium is broadcast
  Port mode is trunk
  full-duplex, 10 Gb/s, media type is 10G
  FEC (forward-error-correction) : disable-fec
  Beacon is turned off
  Auto-Negotiation is turned on
  Input flow-control is off, output flow-control is off
  Auto-mdix is turned off
  Rate mode is dedicated
  Switchport monitor is off
  EtherType is 0x8100
  EEE (efficient-ethernet) : n/a
  Last link flapped 4d06h
  Last clearing of "show interface" counters never
  1 interface resets
  30 seconds input rate 0 bits/sec, 0 packets/sec
  30 seconds output rate 0 bits/sec, 0 packets/sec
```

An engineer is performing a health check on ACI. Which statement about interface Ethernet 1/11 is true?

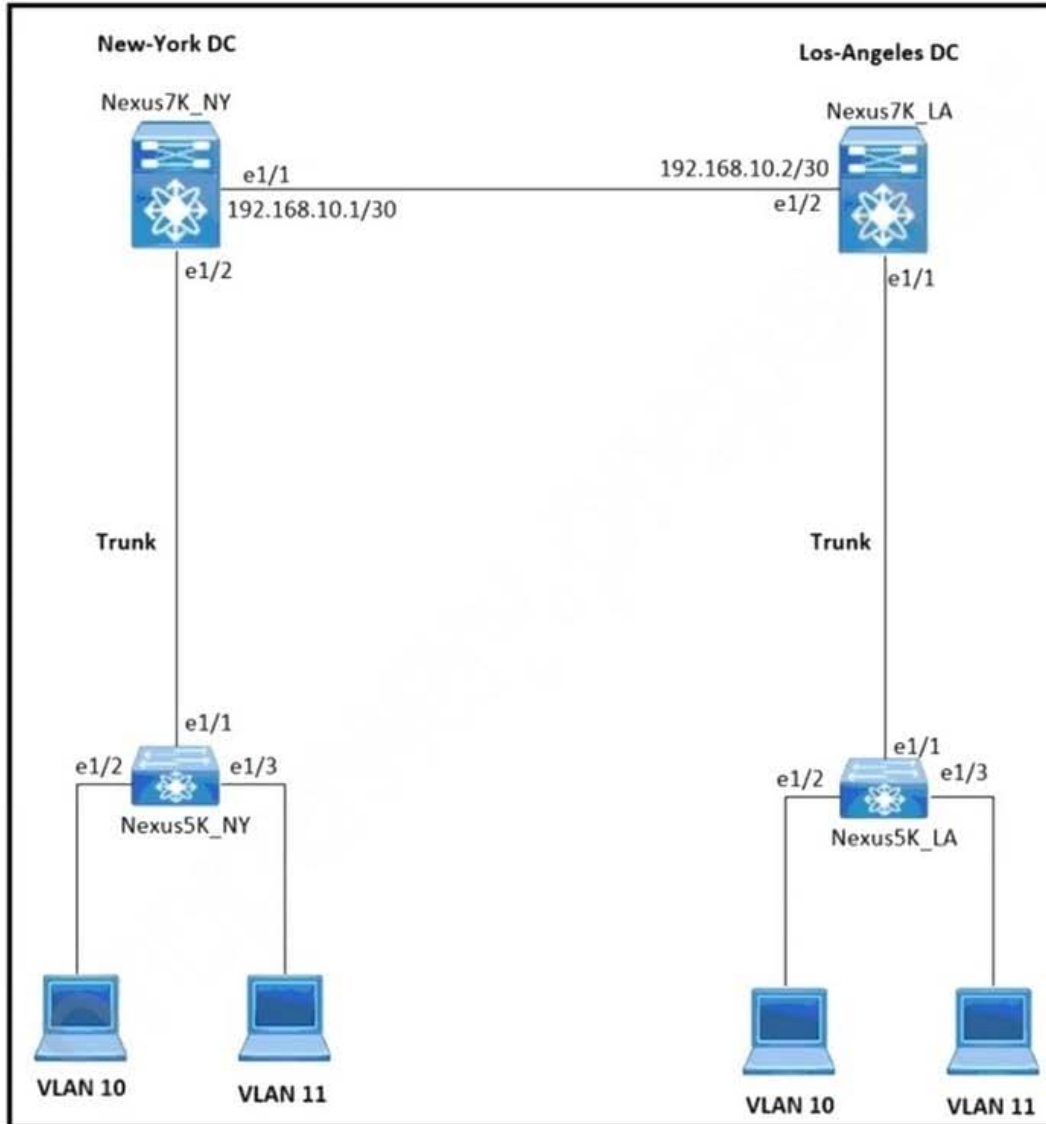
- A. The interface is working correctly and fully operational, but it is not in use.
- B. The interface policy is misconfigured.
- C. "out-of-service" is the default interface status in ACI.
- D. "out-of-service" indicates that no service graph is in use for this interface.

Correct Answer: B

## QUESTION 10

Refer to the exhibit.





Nexus7K NY	Nexus7K LA
<pre>feature otv interface e1/1   no shutdown   ip address 192.168.10.1/30   ip igmp version 3   mtu 9216  interface e1/2   no shutdown   switchport mode trunk  vlan 5,10-11  otv site-vlan 5,10-11 otv site-identifier 0011.1122.2233  interface overlay 1   otv join-interface e1/1   otv control-group 224.1.1.1   otv data-group 232.1.1.0/24   otv extend-vlan 10-11   no shutdown</pre>	<pre>feature otv interface e1/2   no shutdown   ip address 192.168.10.2/30   ip igmp version 3   mtu 9216  interface e1/1   no shutdown   switchport mode trunk  vlan 5,10-11  otv site-vlan 5,10-11 otv site-identifier 0011.1122.2244  interface overlay 1   otv join-interface e1/2   otv control-group 224.1.1.1   otv data-group 232.1.1.0/24   otv extend-vlan 10-11   no shutdown</pre>



The OTV adjacency fails to come up. Which set of commands on each switch resolves the issue?

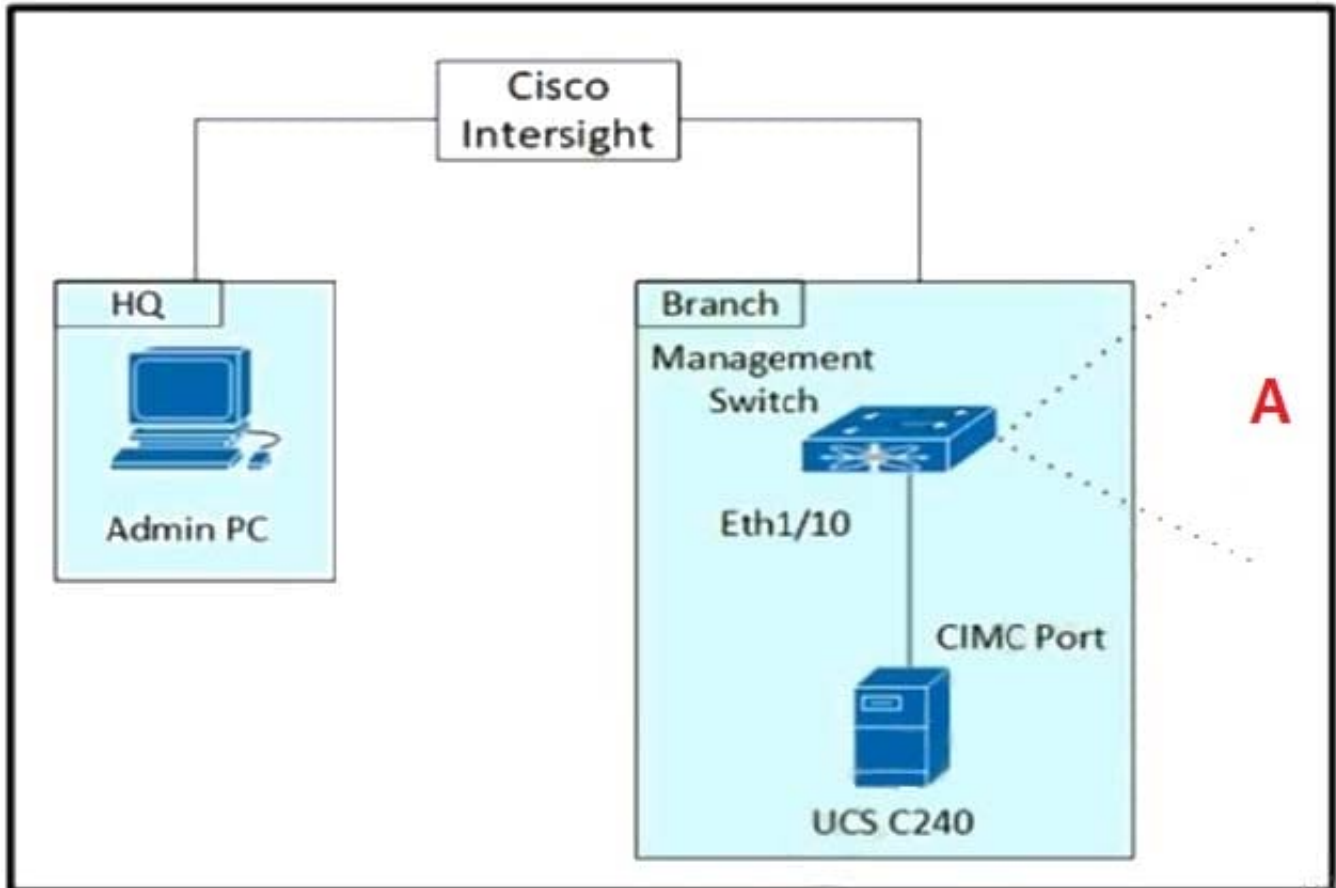
- A. otv extend-vlan 5 otv site-vlan 5
- B. otv extend-vlan 5 no otv site-vlan 5-10,11
- C. otv extend-vlan 5 no otv extend-vlan 11
- D. no otv site-vlan 5,10-11 otv site-vlan 5

Correct Answer: D

---

#### QUESTION 11

Refer to the exhibit.



```
interface Ethernet 1/10
 Switchport mode access
 Switchport access vlan 10
!
interface vlan 10
 ip address 10.1.1.1 255.255.255.0
```

A

An integration issue occurs between the Cisco Intersight and Cisco UCS C240 server. The requirements are to install the server OS through virtual media directly from Cisco Intersight, and to be able to perform the task from HQ. However, the 10.1.1.0/24 network is not reachable from HQ. Which action must be taken on UCS C240 to resolve the issue?

- A. Set the connector Access Mode to Read Only.
- B. Disable the device connector.
- C. Enable tunneled vKVM from the CIMC.
- D. Change the assigned license to be essential.

Correct Answer: C

**QUESTION 12**

During a boot process of a Cisco UCS C-Series Rack Server, an engineer receives a “No Signal” message from the vKVM and physical video connection. Which set of steps resolves the issue?

A. 1. Disconnect the power cord.

2.

Confirm that all cards are properly seated.

3.

Connect the power cord and power on the server.

B. 1. Power off the server and disconnect the power cord.

2.

Confirm that all cards are properly seated.

3.

Connect the power cord and power on the server.

C. 1. Disconnect the power cord.

2.

Confirm that all cards are properly seated.

3.

Connect the power cord.

D. 1. Power off the server and disconnect the power cord.

2.

Confirm that all cards are available.

3.

Connect the power cord and power on the server.

Correct Answer: D

Reference: [https://www.cisco.com/c/en/us/td/docs/unified\\_computing/ucs/c/ts/guide/b\\_C-Series\\_Troubleshooting\\_Guide/b\\_C-Series\\_Troubleshooting\\_Guide\\_chapter\\_010.html](https://www.cisco.com/c/en/us/td/docs/unified_computing/ucs/c/ts/guide/b_C-Series_Troubleshooting_Guide/b_C-Series_Troubleshooting_Guide_chapter_010.html)

---

**QUESTION 13**

A mission-critical server is connected to site A. Connectivity to this server is lost from site B because the MAC route is



missing in the OTV VDC of the Nexus 7000 in site B due to MAC aging. Which action allows the flooding of the unknown unicast MAC on the Nexus 7000 in the OTV VDC?

- A. Use route-map to advertise this MAC statically and redistribute with ISIS.
- B. Unknown unicast flooding is not allowed.
- C. Use the otv flood mac command to selectively flood traffic for a given MAC.
- D. Use the otv isis bfd command to configure BFD protocol.

Correct Answer: B

### QUESTION 14

Refer to the exhibit.

The screenshot shows two panels from the Cisco Integrated Management Controller. The top panel, 'Physical Drives', shows a table with columns: Physical Drives, Status, Controller, Card Type, Card Mode, Health, Sync Mode, and Slot Number. The bottom panel, 'Virtual Drives', shows a table with columns: Virtual Drive, ID, Drive Scope, Size, Drive Status, Host Accessible, Drive Type, and Operation in Progress.

Physical Drives	Status	Controller	Card Type	Card Mode	Health	Sync Mode	Slot Number
SLOT-1	present	FlexFlash-0	FX3S configured	mirror-primary	healthy	manual	SLOT-1
SLOT-2	missing	FlexFlash-0	NA	NA	NA	NA	SLOT-2

Virtual Drive	ID	Drive Scope	Size	Drive Status	Host Accessible	Drive Type	Operation in Progress
Hypervisor	1	Raid	30432 MB	Degraded	Connected	Removable	NA

During implementation of a Cisco UCS C-Series Server, an engineer receives the status that is shown in the exhibit. Which action resolves the issue?

- A. Insert an SD card into SLOT-2.
- B. Reconfigure the Drive Type from "Removable" to "Non-Removable".
- C. Set SLOT-1 Sync Mode to "Auto".
- D. Configure the RAID that is associated with the card.

Correct Answer: C

### QUESTION 15



Refer to the exhibit.

```
N9K# show interface vfc2
vfc2 is trunking
  Bound interface is Ethernet 101/1/2
  ...
  Port mode is TF
  Port vsan is 102
  Trunk vsans (admin allowed and active) (102)
  Trunk vsans (up)                        ( )
  Trunk vsans (isolated)                  ( )
  Trunk vsans (initializing)              (102)
  ...

N9K# show lldp interface 101/1/2
Interface information:
  Enable (tx/rx/dcbx): Y/Y/Y   Port Mac address: ca:e9:f5:21:c2:0d
N9K# |
```

The FCoE traffic fails to traverse the vfc2 interface. The VSAN 102 is configured for vfc2. Which action resolves the issue?

- A. Enable LLDP on the interface vfc2
- B. Activate DCBX on the N9K switch
- C. Activate DCBX on the interface e101/1/2
- D. Enable LLDP on the neighbor switch

Correct Answer: D

[Latest 300-615 Dumps](#)

[300-615 Study Guide](#)

[300-615 Exam Questions](#)