



300-430^{Q&As}

Implementing Cisco Enterprise Wireless Networks (ENWLSI)

Pass Cisco 300-430 Exam with 100% Guarantee

Free Download Real Questions & Answers **PDF** and **VCE** file from:

<https://www.pass4itsure.com/300-430.html>

100% Passing Guarantee
100% Money Back Assurance

Following Questions and Answers are all new published by Cisco
Official Exam Center

-  **Instant Download** After Purchase
-  **100% Money Back** Guarantee
-  **365 Days** Free Update
-  **800,000+** Satisfied Customers



**QUESTION 1**

An engineer is setting up web authentication for the public Wi-Fi. The installation will take place in a retail store. The existing Facebook page to log in to the captive portal must be used. The engineer already paired the Cisco MSE to the Facebook page. Which two actions complete the configuration? (Choose two.)

- A. Configure access control lists.
- B. Pair Cisco MSE to Cisco Prime Infrastructure.
- C. Configure the client for authentication.
- D. Configure Cisco MSE to allow mobile authentication.
- E. Configure WLAN for authentication.

Correct Answer: CE

QUESTION 2

An engineer has many different WLANs on a WLC but does not want to broadcast them to every AP in the building. Which group must be configured on the WLC to allow different WLANs on the different APs without creating new interfaces?

- A. ACL
- B. interface group
- C. mobility group
- D. AP group

Correct Answer: D

QUESTION 3

An IT department receives a report of a stolen laptop and has information on the MAC address of the laptop. Which two settings must be set on the wireless infrastructure to determine its location? (Choose two.)

- A. Location History for Visitors must be enabled on the MSE.
- B. Location History for Clients must be enabled on the MSE.
- C. Location History for Rogue APs and Rogue Clients must be enabled on the MSE.
- D. Client location tracking must be enabled on the MSE.
- E. Tracking optimization must be enabled on the WLC.

Correct Answer: AE

**QUESTION 4**

An engineer must implement Video Stream on a Cisco Wireless Network for a single SSID deployment model. Which feature must be enabled on Cisco Catalyst 9800 Series WLC?

- A. Video CAC
- B. mDNS Policy
- C. IGMP Snooping
- D. Multicast Direct

Correct Answer: A

Video CAC is a feature that allows the WLC to control and manage the bandwidth and quality of video traffic in the wireless network. It ensures that video streams receive the necessary network resources and can provide a reliable and optimal experience for video applications.

QUESTION 5

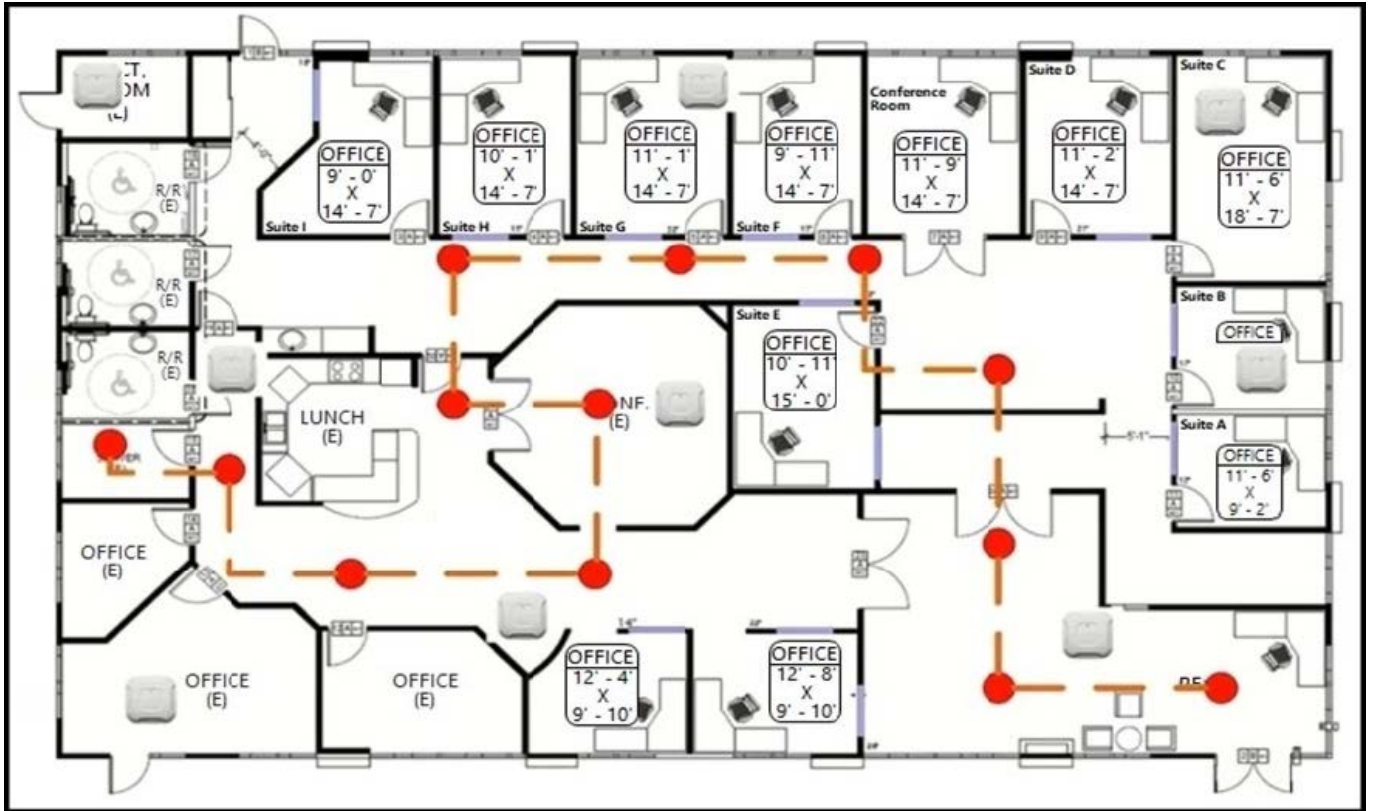
The IT department creates a video containing instructions for employees who have just joined the company. Newcomers need to join the wireless network named NEW4501999110. The WLAN name will be changed daily by IT support. Only new employees must receive the video over wireless multicast. What allows this feature?

- A. WMF
- B. WMM
- C. TPC
- D. DCA

Correct Answer: A

QUESTION 6

Refer to the exhibit.



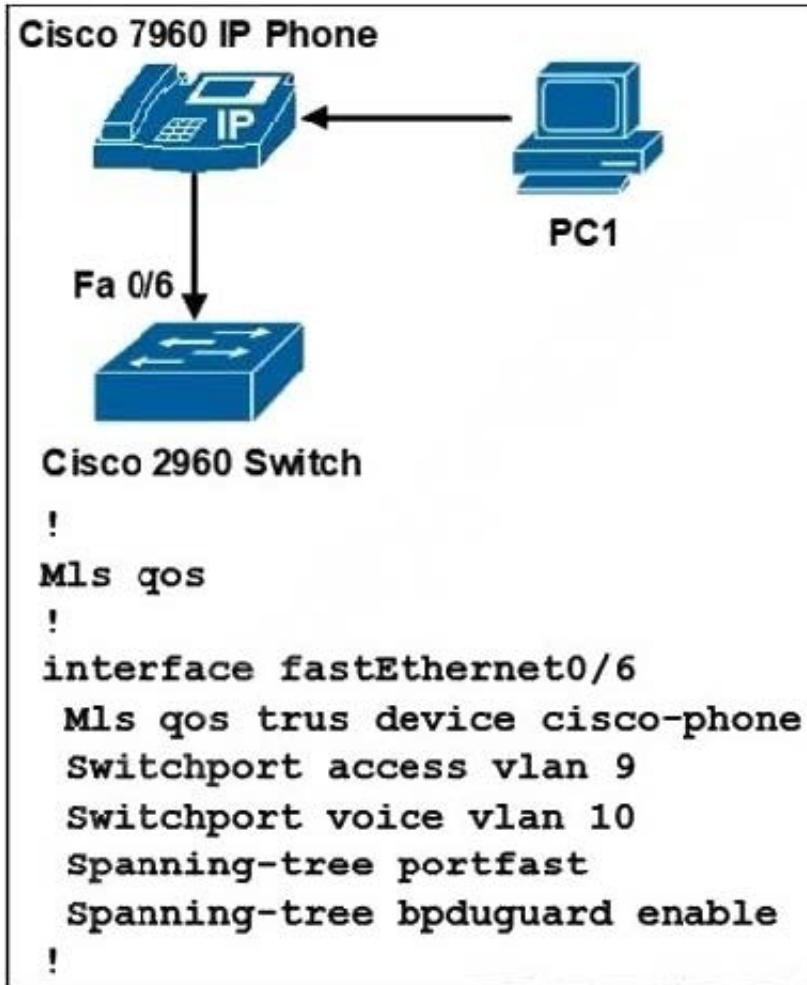
An engineer needs to configure location services in an office. The requirement is to use FastLocate and achieve higher locations refresh rates. Which location-based technique should be implemented?

- A. probe-based
- B. location patterning
- C. data packet-based
- D. angulation

Correct Answer: C

QUESTION 7

Refer to the exhibit.



An engineer must preserve a QoS marking sent by the Cisco Jabber software running on PC1. Which marking value must be trusted on port Fa 0/6?

- A. DSCP
- B. 802.1p
- C. CoS
- D. IP precedence

Correct Answer: A

QUESTION 8

A company has a single WLAN configured for 802.1x authentication with the QoS set to Silver. This WLAN supports all corporate and BYOD access. A decision has been made to allow users to install Cisco Jabber on their personal mobile devices. Users report poor voice quality when using Jabber.

QoS is being applied only as best effort. What must be configured to ensure that the WLAN remains on the Silver class and to ensure Platinum class for Jabber?

- A. Configure an AVC profile for the Jabber traffic and apply it to the WLAN.



- B. Configure the WLAN to broadcast on 5 GHz radios only and allow Jabber users to connect.
- C. Enable Cisco Centralized Key Management on the WLAN so that the Jabber-enabled devices will connect.
- D. Configure QoS on the mobile devices that have Jabber installed.

Correct Answer: A

https://www.cisco.com/c/en/us/td/docs/wireless/controller/technotes/81/Jabber_in_WLAN/b_Jabber_in_WLAN.html#reference_7B4539C91FBE4639ACF906F6F3931667

QUESTION 9

In a Cisco WLAN deployment, it is required that all APs from branch 1 remain operational even if the control plane CAPWAP tunnel is down because of a WAN failure to headquarters.

Which operational mode must be configured on the APs?

- A. Disconnected
- B. Connected
- C. Lightweight
- D. Standalone

Correct Answer: D

QUESTION 10

An engineer is configuring a wireless LAN controller and is setting these 802.11a/n data rates:

1.
5.5 Mbps - Supported
2.
11 Mbps - Mandatory
3.
24 Mbps - Disabled
4.
56 Mbps - Supported

Which configuration change must be made for the multicast broadcast to be sent over 24 Mbps?

- A. Set the 24 Mbps rates to Supported.
- B. Set the 56 Mbps rates to Disable.



- C. Set the 24 Mbps rates to Mandatory.
- D. Set all rates to Disable except 11 Mbps rates.

Correct Answer: C

QUESTION 11

An engineer supports the network infrastructure within a football stadium, and there is a new requirement to send media over wireless. Multicast direct must be used to optimize multicast communication over wireless. Which multicast address must be added in the media stream configuration to meet this requirement?

- A. WLC multicast address
- B. video server multicast destination address
- C. AP multicast address group
- D. RP multicast address

Correct Answer: B

QUESTION 12

An organization is supporting remote workers in different locations. In order to provide wireless network connectivity and services, OfficeExtend has been implemented. The wireless connectivity is working, but users report losing connectivity to their local network printers. Which solution must be used to address this issue?

- A. WLAN static IP tunneling
- B. FlexConnect local switching
- C. OEAP split tunnel
- D. OEAP gateway override

Correct Answer: C

QUESTION 13

A customer has a distributed wireless deployment model where the WLCs are located in the data centers. Because the file servers are located in the data center, the traffic from the corporate WLAN "Corp-401266017" must go through the controllers, where the guest WLAN "Guest-19283746" traffic must use the local Internet line installed in each office. Which configuration will accomplish this task?

- A. Disable Local Switching for the corporate and guest WLAN.
- B. Disable Local Switching for the corporate WLAN and enable it for the guest WLAN.
- C. Enable Local Switching for the corporate and guest WLAN.



D. Enable Local Switching for the corporate WLAN and disable it for the guest WLAN.

Correct Answer: B

QUESTION 14

DRAG DROP

The network management team in a large shopping center has detected numerous rogue APs from local coffee shops that are broadcasting SSIDs. All of these SSIDs have names starting with ATC (for example, ATC302, ATC011, and ATC566). A wireless network engineer must appropriately classify these SSIDs using the Rogue Rules feature. Drag and drop the options from the left onto the categories in which they must be used on the right. Not all options are used.

Select and Place:

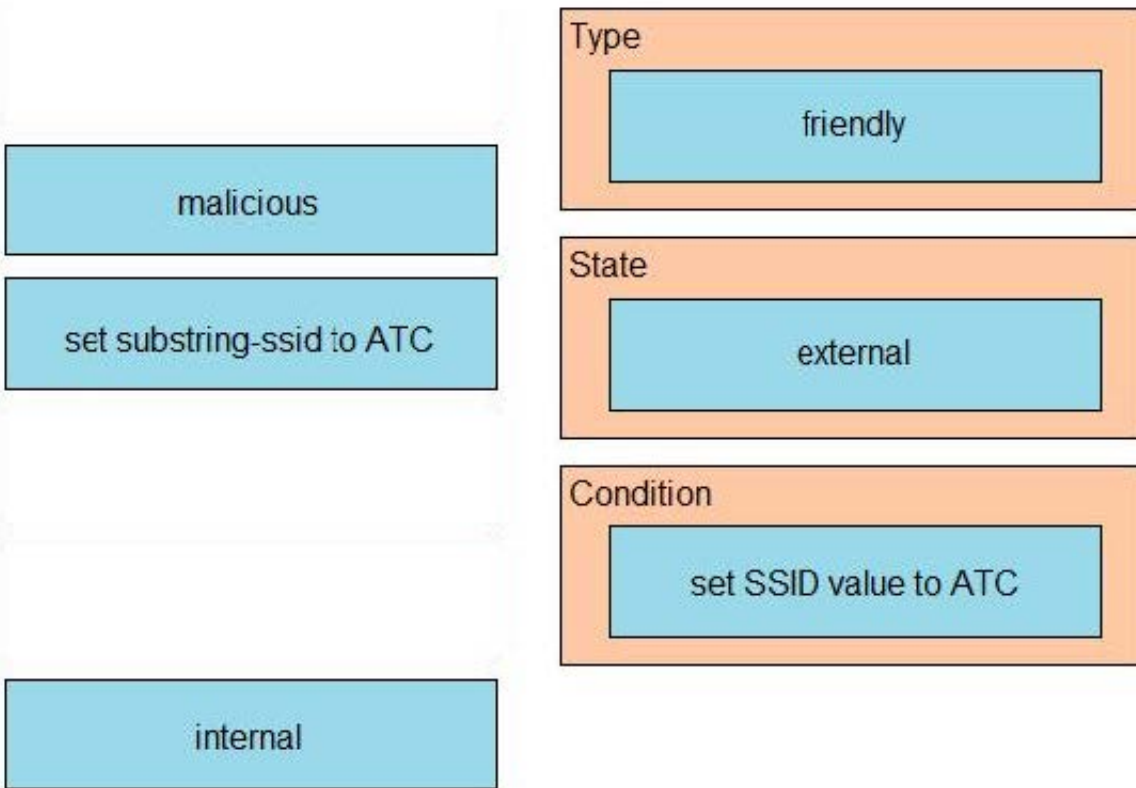
Answer Area

friendly	Type
malicious	<input type="text"/>
set substring-ssid to ATC	State
set SSID value to ATC	<input type="text"/>
external	Condition
internal	<input type="text"/>

Correct Answer:



Answer Area



QUESTION 15

Refer to the exhibit.

```
(Cisco WLC) >show dhcp proxy
DHCP ProxyBehaviour: enabled
!
interface Vlan63
 ip address 10.10.63.252/22
 description Dot1x_BYOD
 no shutdown
!
```

A network administrator deploys the DHCP profiler service in two ISE servers: 10.3.10.101 and 10.3.10.102. All BYOD devices connecting to WLAN on VLAN63 have been incorrectly profiled and are assigned as unknown profiled endpoints. Which action efficiently rectifies the issue according to Cisco recommendations?

A. Nothing needed to be added on the Cisco WLC or VLAN interface. The ISE configuration must be fixed.



B. Disable DHCP proxy on the Cisco WLC.

C. Disable DHCP proxy on the Cisco WLC and run the ip helper-address command under the VLAN interface to point to DHCP and the two ISE servers.

D. Keep DHCP proxy enabled on the Cisco WLC and define helper-address under the VLAN interface to point to the two ISE servers.

Correct Answer: C

<https://www.cisco.com/c/en/us/support/docs/wireless/4400-series-wireless-lan-controllers/110865-dhcp-wlc.html>

[300-430 PDF Dumps](#)

[300-430 VCE Dumps](#)

[300-430 Practice Test](#)