

# 100% Money Back Guarantee

**Vendor:** Cisco

**Exam Code:** 300-175

**Exam Name:** DCUCI Implementing Cisco Data Center Unified Computing (DCUCI)

**Version:** Demo

**QUESTION 1**

Which component is unsupported by the UEFI boot device in the Cisco UCS C-series standalone?

- A. FlexFlash card
- B. RAID array
- C. FCoE
- D. iSCSI
- E. USB
- F. PXE
- G. PCI SSD

**Correct Answer: G**

**QUESTION 2**

Which technology makes VM-FEX possible?

- A. VXLAN
- B. VNTAG
- C. VPC
- D. DVS

**Correct Answer: B**

**QUESTION 3**

What is the maximum number of ports on a VMware vCenter Distributed Virtual Switch?

- A. 64
- B. 128
- C. 1024
- D. 4096
- E. 8192

**Correct Answer: D**

**QUESTION 4**

Which option lists the features that are needed to install VMware ESXi on a local drive from an image file?

- A. Virtual Media and VMFS
- B. Virtual Media and Virtual KVM
- C. Virtual Boot and VMFS
- D. Virtual KVM and Virtual Boot

**Correct Answer: B**

**QUESTION 5**

Scenario

In this scenario, you will refer to screenshots about Cisco UCS B-Series servers and UCS Manager.

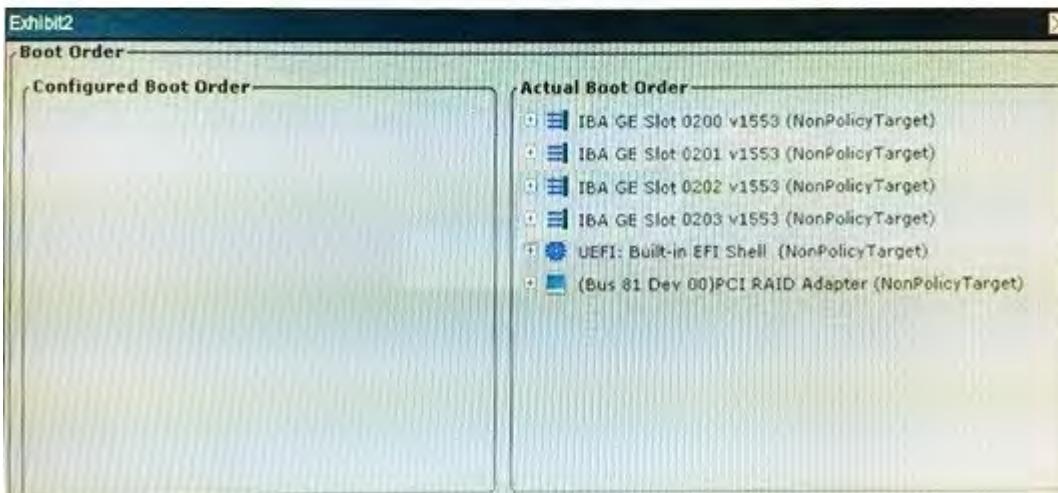
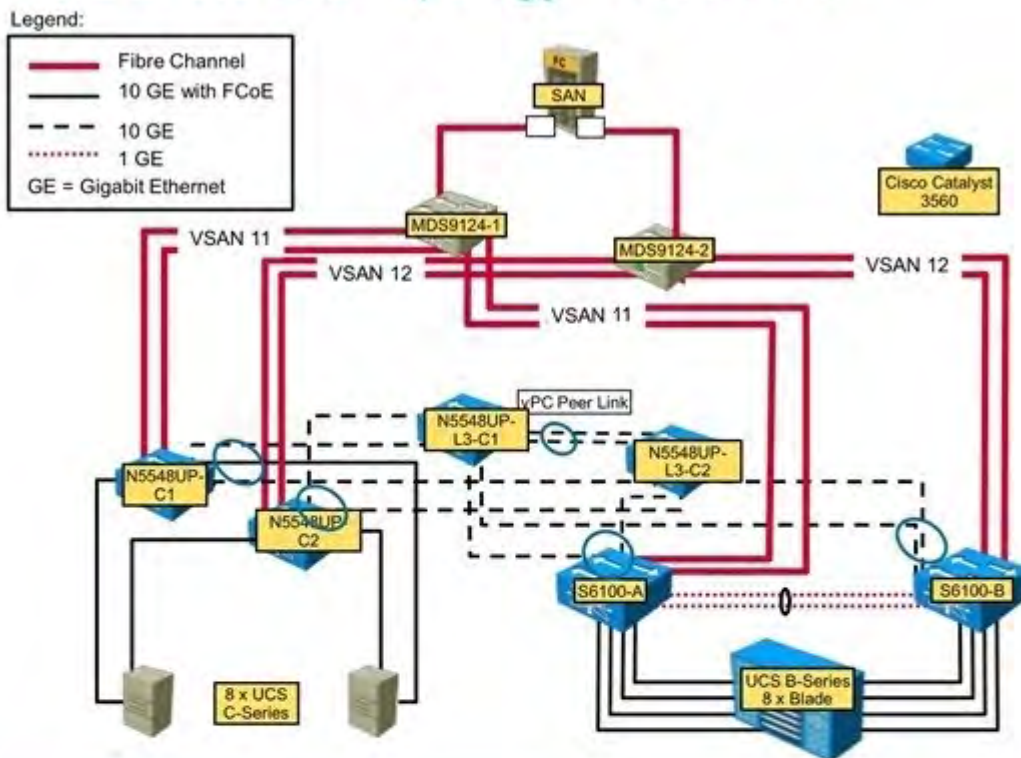
Instructions

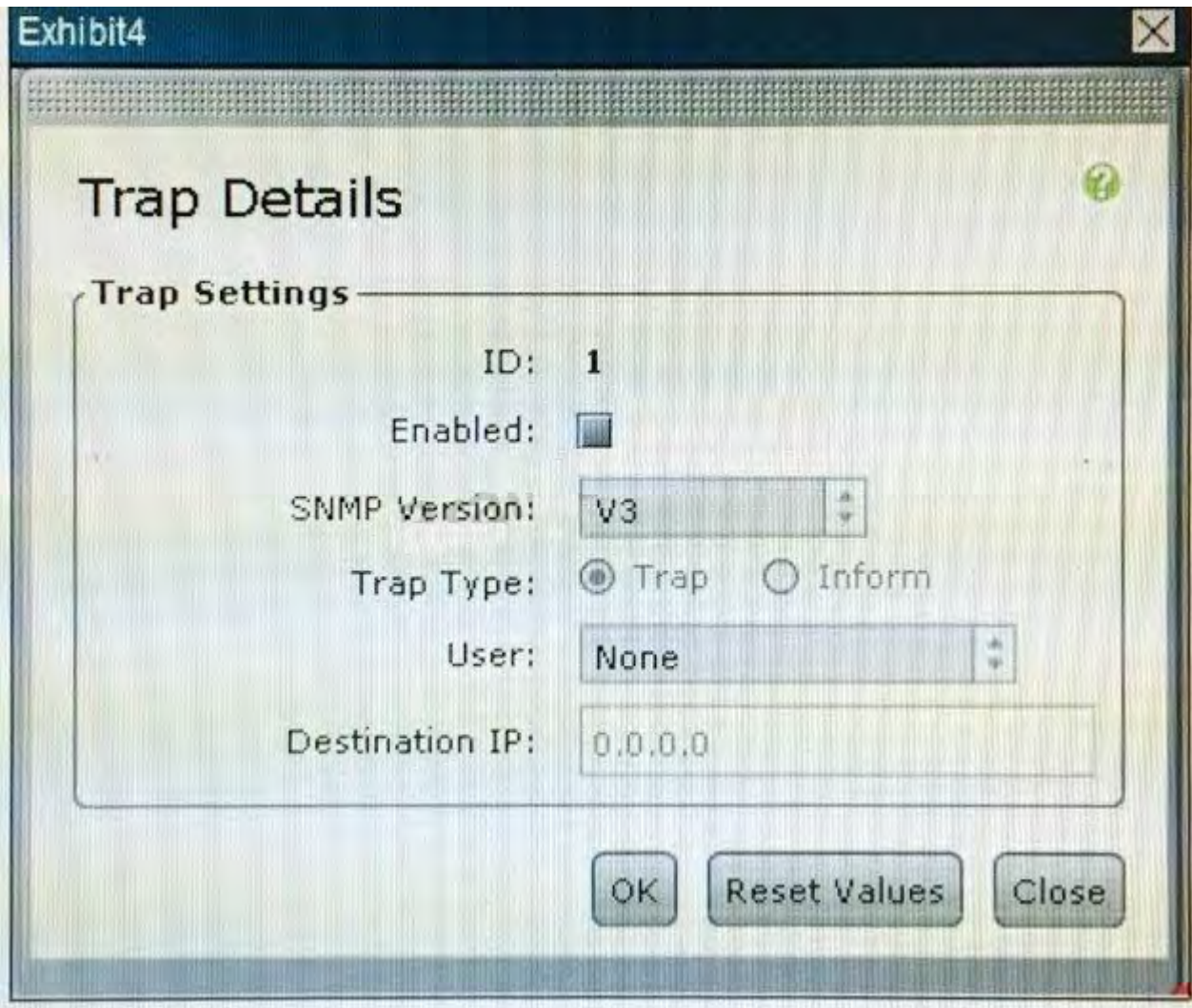
To access the multiple-choice questions, click on the numbered boxes on the left of the top panel.

There are four multiple-choice questions with this task.

Be sure to answer all four questions before selecting the Next button.

## DCUCI 5.0 Lab Topology—Backbone









Refer to the screenshot in Exhibit 5. Which of the following user roles allows the permission Clear

All Logs?

- A. read-only
- B. user
- C. operator
- D. system

**Correct Answer: C**

**QUESTION 6**

Which destination(s) are valid for syslog messages for a Cisco UCS Fabric Interconnect?

- A. a file and monitor only
- B. the log, the monitor and syslog queue
- C. the console
- D. the console and log only

- E. a file
- F. the console, the monitor, and a file

**Correct Answer:** F

**QUESTION 7**

Which two statements about Cisco VM-FEX dynamic vNIC configuration and provisioning by using the Cisco UCS Manager are true? (Choose two.)

- A. Dynamic vNIC parameters are configured by using SNMP.
- B. Dynamic vNIC parameters must be configured manually before the virtual machine connects to its port group.
- C. Dynamic vNIC parameters are configured dynamically after the assigned virtual machine connects to the port group.
- D. Dynamic vNIC parameters are enabled by using the Fibre Channel Forwarder protocol.
- E. Dynamic vNIC parameters are configured by inheriting the port-group parameters of the associated virtual machines.

**Correct Answer:** CD

**QUESTION 8**

Which three items represent message formats that are available to send fault data using Cisco Call Home? (Choose three.)

- A. short text
- B. long text
- C. HTML
- D. SOAP API
- E. XML
- F. Java

**Correct Answer:** ABE

**QUESTION 9**

Which two protocols does the Cisco Integrated Management Controller support for managing standalone Cisco UCS -Series servers? (Choose two.)

- A. SoL
- B. IPMI
- C. IPMIv2
- D. SMASH CLP
- E. SNMPv3

**Correct Answer:** CE

**QUESTION 10**

Which three statements about default settings for fabric interconnect uplink ports are true? (Choose three.)

- A. When a VLAN is configured, it is trunked on all uplinks.
- B. Specific VLANs are trunked on specific uplinks.
- C. UDLD is enabled.
- D. UDLD is disabled.
- E. Cisco Discovery Protocol is enabled.
- F. Cisco Discovery Protocol is disabled.
- G. They connect to the I/O modules.

**Correct Answer:** ADE

**QUESTION 11**

Which authentication provider requires a custom attribute?

- A. TACACS+
- B. RADIUS
- C. LDAP
- D. local authentication

**Correct Answer:** A

**QUESTION 12**

Which Cisco UCS firmware are contained in the Cisco UCS Infrastructure software bundle? (Choose three.)

- A. Cisco UCS BIOS
- B. Cisco UCS fabric interconnects firmware
- C. Cisco UCS adapters
- D. Cisco UCS Manager
- E. Cisco I/O module firmware
- F. Cisco IMC

**Correct Answer:** BDE

**QUESTION 13**

Which options are valid port types when configuring fixed 10-Gb LAN interfaces on the Cisco UCS 6200 Series Fabric Interconnects? (Choose three.)

- A. monitoring port
- B. server port
- C. uplink Ethernet port
- D. FEX port
- E. Fibre Channel storage port

**Correct Answer:** ABC

**QUESTION 14**

Which slot(s) contain DIMMs in a 1DPC configuration on Cisco UCS blade server?

- A. 0
- B. 1 and 2 only.
- C. 1
- D. 2

**Correct Answer:** C

**QUESTION 15**

You plan to use AAA security services for a Cisco UCS Fabric Interconnect. Which two authentication providers can you use? (Choose two.)

- A. Kerberos
- B. RADIUS
- C. NTLM
- D. Diameter
- E. LDAP

**Correct Answer:** BE

**QUESTION 16**

When implementing a Cisco UCS C-series standalone server, which of the following Cisco Integrated Management Controller NIC modes allow use of the least number of physical ports while providing maximum levels of redundancy?

- A. dedicated
- B. shared LOM
- C. shared LOM 10G
- D. Cisco VIC

**Correct Answer:** D

**QUESTION 17**

Which three items are supported operating systems of the Cisco VM-FEX universal passthrough? (Choose three.)

- A. Oracle Solaris 11
- B. Red Hat Enterprise Linux 6.0
- C. Microsoft Windows Server 2003 SP3
- D. Microsoft Windows Server 2008
- E. Ubuntu Server 12.2
- F. SLES 11

**Correct Answer:** BDF

**QUESTION 18**

Which scheduling option sets the number of tasks that can be run?

- A. max number of concurrent tasks
- B. max changes
- C. max number of tasks
- D. max configuration requests

**Correct Answer:** C

**QUESTION 19**

When upgrading a standalone Cisco UCS C-Series server, which method is correct?

- A. direct upgrade on all components
- B. Cisco Hardware Upgrade Utility
- C. Cisco Host Upgrade Utility
- D. Cisco Server Upgrade Utility

**Correct Answer:** C



To Read the [Whole Q&As](#), please purchase the [Complete Version](#) from [Our website](#).

# Trying our product !


- ★ **100%** Guaranteed Success
- ★ **100%** Money Back Guarantee
- ★ **365 Days** Free Update
- ★ **Instant Download** After Purchase
- ★ **24x7** Customer Support
- ★ Average **99.9%** Success Rate
- ★ More than **69,000** Satisfied Customers Worldwide
- ★ Multi-Platform capabilities - **Windows, Mac, Android, iPhone, iPod, iPad, Kindle**

## Need Help

Please provide as much detail as possible so we can best assist you.

To update a previously submitted ticket:



 <b>One Year Free Update</b> Free update is available within One Year after your purchase. After One Year, you will get 50% discounts for updating. And we are proud to boast a 24/7 efficient Customer Support system via Email.	 <b>Money Back Guarantee</b> To ensure that you are spending on quality products, we provide 100% money back guarantee for 30 days from the date of purchase.	 <b>Security &amp; Privacy</b> We respect customer privacy. We use McAfee's security service to provide you with utmost security for your personal information & peace of mind.
---	---	--

## Guarantee & Policy | Privacy & Policy | Terms & Conditions

Any charges made through this site will appear as Global Simulators Limited.

All trademarks are the property of their respective owners.