



1Z0-632^{Q&As}

PeopleSoft PeopleTools 8.5x Implementation Essentials

Pass Oracle 1Z0-632 Exam with 100% Guarantee

Free Download Real Questions & Answers **PDF** and **VCE** file from:

<https://www.pass4itsure.com/1z0-632.html>

100% Passing Guarantee
100% Money Back Assurance

Following Questions and Answers are all new published by Oracle
Official Exam Center

-  **Instant Download** After Purchase
-  **100% Money Back** Guarantee
-  **365 Days** Free Update
-  **800,000+** Satisfied Customers



**QUESTION 1**

Examine this PeopleCode statement:

```
andDate = ORDER.DATE;
```

Select the object-oriented equivalent.

- A.

```
&Field.Value = GetField(ORDER.DATE);
```
- B.

```
Field = GetField(ORDER.DATE);  
&Date = &Field.Value;
```
- C.

```
&Field = CreateField();  
&Date = &Field(ORDER.DATE);
```
- D.

```
&Date.GetValue = ORDER.DATE;
```
- E.

```
&Date = GetValue(ORDER.DATE);
```

A. Option A

B. Option B

C. Option C

D. Option D

E. Option E

Correct Answer: A

QUESTION 2

Which two PeopleCode excerpts contain syntax errors?



1	<pre>If All(Psu_Crs_Sessn.Start_Date, Psu_Crs_Sessn.End_Date) And Psu_Crs_Sessn.Start_Date > Psu_Crs_Sessn.End_Date Then Error MsgGet(1040, 3, "Message Not Found.") End-If;</pre>
2	<pre>If Psu_Emp_Rvw_Rvr.Review_Type = "E" Then COMMENT Reviewer is an employee; COMMENT Disable REVIEWER_ID; Psu_Emp_Rvw_Rvr.Reviewer_Id.Value = Psu_Emp_Rvw_Rvr.Emplid; Psu_Emp_Rvw_Rvr.Reviewer_Id.Enabled = False; End-If;</pre>
3	<pre>Local Message &request, &response; Local Row &Row; Local Rowset &Rowset;</pre>
4	<pre>Local Field &CrsType; &CrsType = GetField(Psu_Course_Tbl.Course_Type); &CrsType.Value = "T"; &CrsType.Enabled = False;</pre>
5	<pre>&OLD_PRICE > &TOTAL_PRICE; &TOTAL_PRICE = &QTY_ORDERED * &PRICE; &GRAND_TOTAL = &GRAND_TOTAL + &TOTAL_PRICE - &OLD_PRICE;</pre>

- A. 2
- B. 4
- C. 5
- D. 1
- E. 3

Correct Answer: CE

QUESTION 3

The following PeopleCode program compares two editable fields on a component.

```
If All(Psu_Crs_Sessn.Start_Date, Psu_Crs_Sessn.End_Date) And
    Psu_Crs_Sessn.Start_Date > Psu_Crs_Sessn.End_Date Then
    Error MsgGet(1040, 3, "Message Not Found: Course Start Date must not be later than End Date.",
End-If;
```

On which event or events should the program be placed?

- A. FieldEdit and RowInit
- B. SaveEdit and SavePreChange
- C. SaveEdit
- D. FieldChange and SavePreChange



E. SaveEdit and RowInit

F. FieldEdit

Correct Answer: B

Reference: https://docs.oracle.com/cd/E41633_01/pt853pbh1/eng/pt/tpcd/task_PeopleCodeEvents074aba.html

QUESTION 4

Identify three true statements describing PeopleTools tables. (Choose three.)

- A. PeopleTools tables can be updated equally using PeopleTools, such as Application Designer, or the SQL editing tool for your database platform
- B. PeopleTools tables use the naming convention of having the prefix PD*, as in PSRECDEFN
- C. PeopleTools tables store metadata that defines the elements of a PeopleSoft application
- D. PeopleTools tables contain the same content, regardless of the PeopleSoft application installed on the database
- E. PeopleTools tables have a consistent structure, regardless of the PeopleSoft application installed on the database
- F. PeopleTools tables are empty until the implementation team has loaded the application's transactional data

Correct Answer: ABC

QUESTION 5

You have a CUSTOMER_CONTACT page that uses a subpage that groups commonly used fields. The subpage is also used on the VENDOR_CONTACT page and the EMPLOYEE_CONTACT page. Customers have unanimously requested that the fields in the subpage be displayed on a grid format on the CUSTOMER_CONTACT page, as opposed to the current display of individual edit boxes. Your product manager has asked you to identify a solution to this request that is the quickest, the most efficient, has the least impact on other pages, and is technically possible.

Which of these options best satisfies these requirements?

- A. Organize an effort to seek agreement from the owners of the VENDOR_CONTACT page and the EMPLOYEE_CONTACT page regarding your proposed addition of the grid control to the subpage, in addition to a testing plan and deployment plan.
- B. Modify just the CUSTOMER_CONTACT page by inserting a grid control and dragging the subpage onto the grid
- C. Modify just the subpage by removing the edit boxes, adding a grid control, and then adding the equivalent fields to the grid control
- D. Modify just the CUSTOMER_CONTACT page by removing the subpage, adding a grid control, and then adding the equivalent fields individually to the grid control

Correct Answer: D



QUESTION 6

Which three statements are true regarding PeopleCert user-defined variables? (Select three.)

- A. Explicitly declaring object type variables provides no benefit over allowing them to be auto-declared
- B. All local variables must be declared at the beginning of the program
- C. Local variables can be declared and instantiated in a single statement
- D. All component variables must be declared before the first line of executable code
- E. Local variables can be declared and assigned in a single statement
- F. All variables of type Any must be explicitly declared

Correct Answer: D

QUESTION 7

You are testing the new Customer Table page and notice that you are missing a Return to Search button on the page.

Customer Table

Customer:	AAB	
Contract Date:	01/01/2000 31	
*Description:	ABN AMRO Bank	
Short Description:	ABN AMRO	
Telephone:	020442 14 55	Ticker Symbol <input type="text"/>
Street	Buitenveldersien 101	
City	Amsterdam	
Country	NLD	Netherlands
State	<input type="text"/>	
Zip Code	1082 VB	

Save Previous in List Next in List Notify Add Update/Display

To add this button in Application Designer, open the Component Properties dialog box and _____.

- A. On the Internet tab, select Return to Search



- B. On the Internet tab, select Page Navigation in History
- C. On the Use tab, select Update/Display
- D. On the Internet tab, select Return to List
- E. On the Use tab, select Return to Search

Correct Answer: D

Reference: https://docs.oracle.com/cd/E41633_01/pt853pbh1/eng/pt/tapd/task_SettingComponentProperties-0774bd.html

QUESTION 8

Review the definition of the Calculate user-defined function.

```
1 Function Calculate(&rate As number in, &output As number out)
2     &output = &output * (1 + &rate);
3     &rate = 0; /* Reset the rate to zero */
4 End-Function;
```

Then, review the invocation of this Calculate function in a FieldChange program:

```
1 Local number &incr = 0.12;
2
3 Declare Function Calculate PeopleCode FUNCLIB_ED_SVCS.CALC FieldFormula;
4 Calculate(&incr, EMPLOYEE.SALARY);
```

Which two corrections are required to allow these PeopleCode programs to be saved as syntactically correct programs that produce valid results? (Choose two.)

- A. In the FieldChange program, move line 3 to become line 1
- B. In the function definition, delete the in and out modifiers on line 1
- C. Delete line 3 from the function definition. In the FieldChange program, add the following as line 5: andincr = 0;
- D. Replace line 4 in the FieldChange program with the following:

```
Local number &salary = EMPLOYEE.SALARY.Value;
Calculate(&incr, salary);
EMPLOYEE.SALARY.Value = &salary;
```

Correct Answer: BD



QUESTION 9

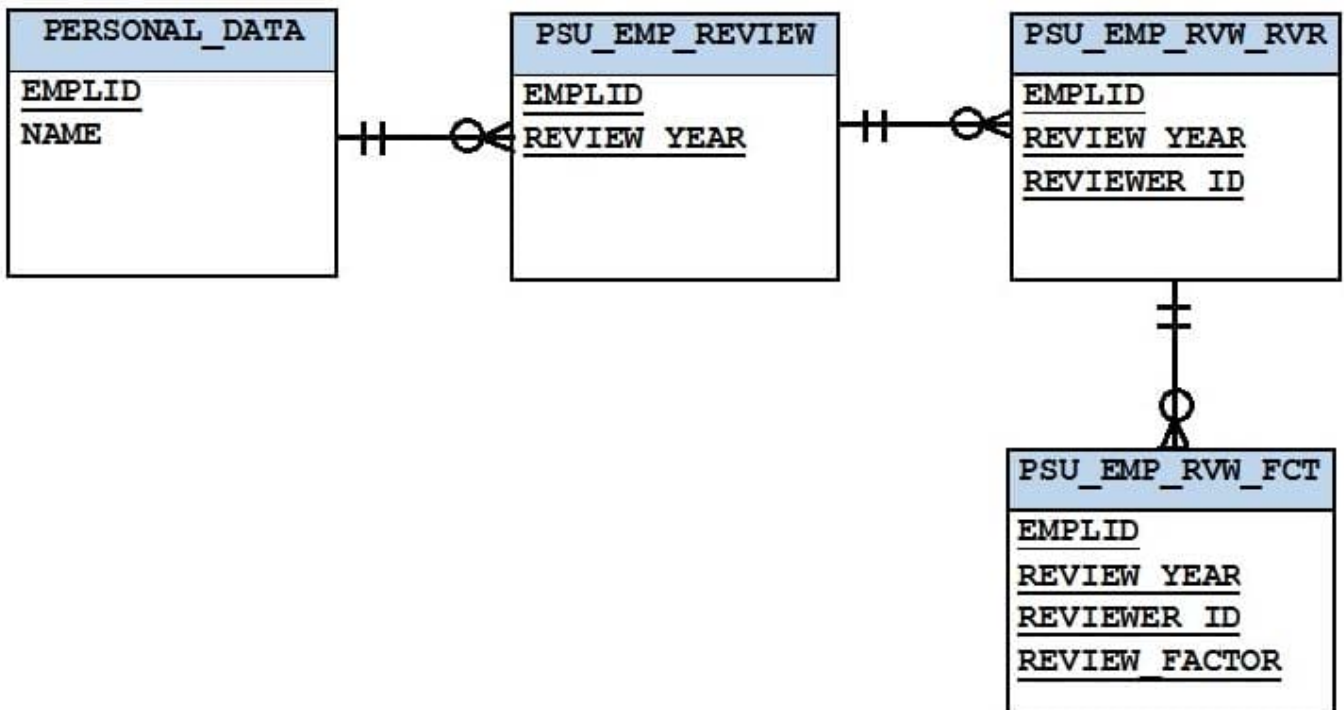
Which two statements are true about how PeopleCode on the SavePreChange and SavePostChange events is processed? (Choose two.)

- A. When placed at the component record level, such PeopleCode triggers a Save when a row is changed
- B. When placed at the component record level, such PeopleCode runs once per row when the user clicks Save
- C. When placed at the component record level, such PeopleCode runs once when the user clicks Save
- D. When placed at the component level, such PeopleCode triggers a Save when data on the page is changed
- E. When placed at the component level, such PeopleCode runs once when the user clicks Save
- F. When placed at the component level, such PeopleCode runs once per row when the user clicks Save

Correct Answer: BD

QUESTION 10

If you were to create a page displaying information from each of the tables listed in the exhibit, at what occurs level would the fields of the PSU_EMP_RVW_FCT table be on?



- A. 3
- B. 2
- C. 1



D. 4

E. 0

Correct Answer: D

QUESTION 11

What do you need to do to display the Add a New Value search page as shown in this exhibit?

Business Units

Enter any information you have and click Search. Leave fields blank for a list of all values.

Find an Existing Value Add a New Value

▼ Search Criteria

Search by: Business Unit ▼ begins with

Search Advanced Search

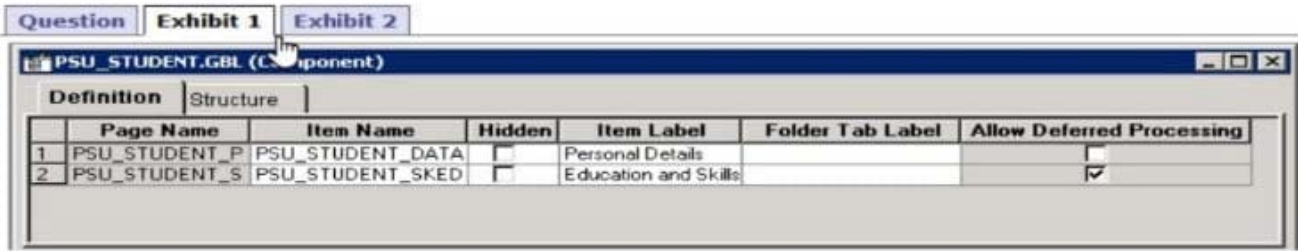
- A. Select the Add check box in the Toolbar group box on the Internet tab of the Component Properties dialog box
- B. Select a Primary Action of New in the Search Page group box on the Internet tab of the Component Properties dialog box
- C. Select a Default Search Action of Add in the Search Page group box on the Internet tab of the Component Properties dialog box
- D. Select the Add check box in the Actions group box on the Use tab of the Component Properties dialog box.
- E. Select a record from the Add search record drop-down list on the Use tab of the Component Properties dialog box

Correct Answer: B

Reference: https://docs.oracle.com/cd/E41633_01/pt853pbh1/eng/pt/tpst/task_WorkingwithSearchPages027de6.html

QUESTION 12

View the exhibits.



Professional Details

Student ID 2924

*Student Name

*Customer Friends-Little Egg Lighthouse

Project Role

Student Emphasis

Functional

Technical

Same address as Customer Telephone

Street

City

Country United States

State New Jersey

Zip Code

[Personal Details](#) | [Education and Skills](#)

You just added a second page to the student component as shown in Exhibit 1. When you test the page as shown in Exhibit 2, no tabs are displayed. What do you need to do to display the tabs?

- A. On the Internet tab of the Component Properties dialog box, select the Display Hyperlinks check box
- B. On the Internet tab of the Component Properties dialog box, select the Display Folder Tabs check box
- C. Enter the labels for the folder tab labels and on the Use tab of the Component Properties dialog box, select the Include in Navigation check box
- D. On the Use tab of the Component Properties dialog box, select the Include in Navigation check box
- E. Enter the labels for the folder tab labels

Correct Answer: A

Reference: https://docs.oracle.com/cd/E41633_01/pt853pbh1/eng/pt/tapd/task_SettingComponentProperties-0774bd.html

**QUESTION 13**

You have a record definition open in Application Designer, and when you select the Build menu, you notice that the Current Definition option is disabled. (greyed out.) Why did this happen?

- A. You have already build the table
- B. The record definition Record Type is set to Dynamic View
- C. You saved the record definition using a non-standard SQL table name
- D. You are not connected to the database

Correct Answer: C

QUESTION 14

You surround a set of page controls with a group box on a fluid page. When rendered in HTML, what tag will those page controls be within?

- A.
- B.
- C.
- D.
- E.
- F.

Correct Answer: E

Reference: https://docs.oracle.com/cd/E99483_01/pt857pbr1/eng/pt/tflu/concept_WorkingWithOtherPageControls.html

QUESTION 15

Select three elements that must be present before registering a component. (Choose three.)

- A. Permission list
- B. Folder
- C. Content reference definition
- D. Primary table
- E. Menu definition



Correct Answer: ABE

Reference: https://docs.oracle.com/cd/E28394_01/pt852pbh1/eng/psbooks/tapd/chapter.htm?File=tapd/htm/tapd17.htm

[1Z0-632 VCE Dumps](#)

[1Z0-632 Exam Questions](#)

[1Z0-632 Braindumps](#)