



# 1Y0-403<sup>Q&As</sup>

Citrix Virtual Apps and Desktops 7 Assessment, Design and Advanced Configurations

## Pass Citrix 1Y0-403 Exam with 100% Guarantee

Free Download Real Questions & Answers **PDF** and **VCE** file from:

<https://www.pass4itsure.com/1y0-403.html>

100% Passing Guarantee  
100% Money Back Assurance

Following Questions and Answers are all new published by Citrix Official Exam Center

-  **Instant Download** After Purchase
-  **100% Money Back** Guarantee
-  **365 Days** Free Update
-  **800,000+** Satisfied Customers



**QUESTION 1**

Scenario: A Citrix Architect is designing a new Citrix Virtual Apps and Desktops environment.

The table in the exhibit lists details about the requirements of the current user groups and their Virtual Delivery Agent (VDA) machine workloads.

Click the Exhibit button to view the table.

User	Scaling Priority	VDA Type	Workload Weight	CPU Overcommit	Virtual CPUs per VM	VMs per Host	Users per VM
User Group 1	Scalability	Desktop	Heavy	6:1	4	30	1
User Group 2	User Experience	Server	Medium	1.5:1	16	18	20
User Group 3	Scalability	Desktop	Medium	6:1	2	40	1
User Group 4	Scalability	Server	Medium	1.5:1	6	27	20

At a minimum, the architect should scale the hardware used to host the virtual machine (VMs) for User Group 1 to \_\_\_\_\_ GB of RAM. (Choose the correct option to complete the sentence.)

- A. 256
- B. 512
- C. 64
- D. 128
- E. 384

Correct Answer: A

**QUESTION 2**

Scenario: A Citrix Architect is designing a Citrix Virtual Desktops environment. The Engineer Group requires NVIDIA hardware with shared virtualized GPUs due to its use of graphical applications. Management wants to use 4 components within the Citrix Virtual Desktops environment to meet these requirements: NVIDIA GRID Tesla P40 GPUs Microsoft Hyper-V Server 2012 R2 Windows 10 virtual machines (VMs) Citrix Virtual Desktops 7

Which component must the architect change to implement this use case?

- A. Windows 10 virtual machines
- B. Citrix Virtual Desktops 7
- C. NVIDIA GRID Tesla P40 GPUs
- D. Microsoft Hyper-V Server 2012 R2

Correct Answer: B



### QUESTION 3

Scenario: A Citrix Architect is designing a new Citrix Virtual Apps and Desktops environment. The customer previously installed all applications locally on managed laptops and desktops, but is willing to evaluate other application delivery methods as part of the new deployment. The environment will be standardized on Windows 10 for the Virtual Delivery Agent (VDA) machines.

As part of an application analysis performed earlier in the project, the information in the exhibit was collected regarding 1 of the required applications.

Click the Exhibit button to view the information.

Category	Detail
Application Name	Visual Studio
Description	The application is used to develop computer programs, websites, web apps, web services, and mobile apps.
Usage	The application will be used by developers working in the organization.
OS Compatibility	The application is compatible with the target operating systems.
Special Considerations	The users are internal and external contractors, third-party collaborators, and other provisional team members who do NOT require offline access to the application.  The application contains a number of Windows services.

The customer's security policies mandate that all development software must run within the corporate data center, but should appear to the user as if it is running locally on the virtual machine (VM).

How should the architect recommend deploying the application?

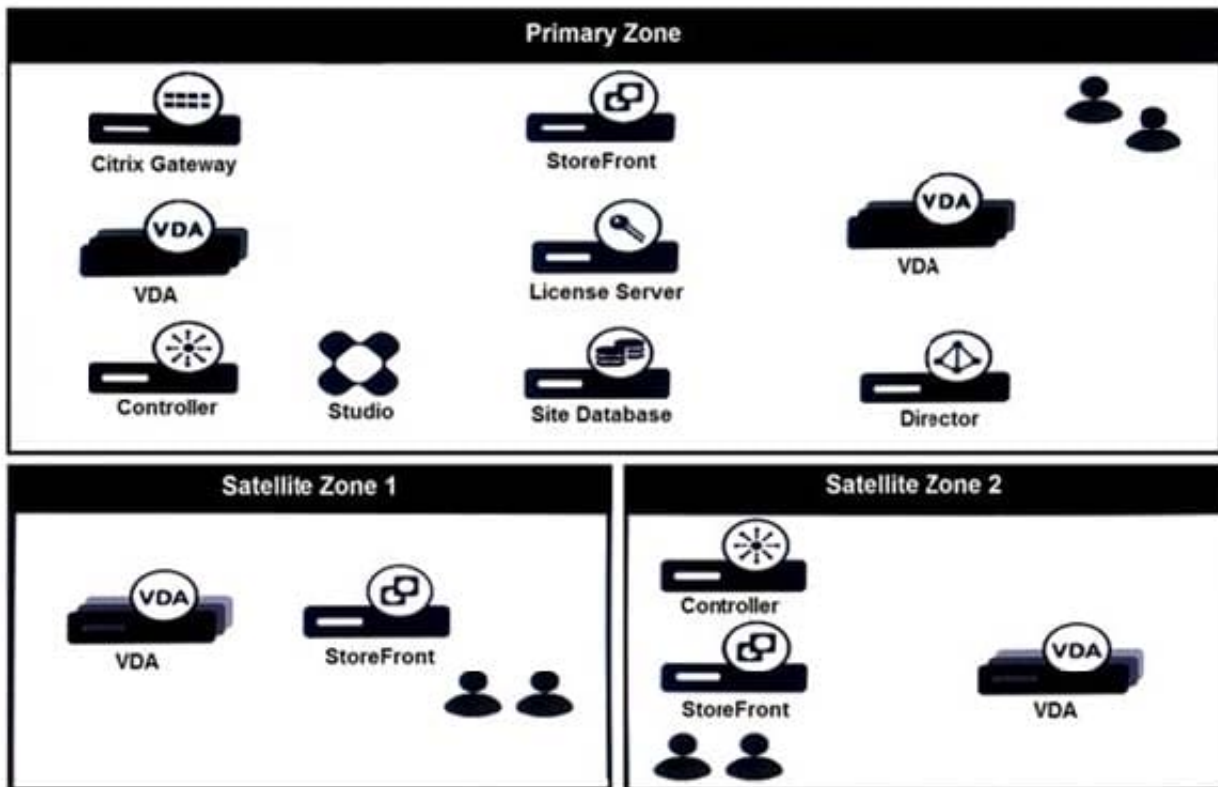
- A. Use Desktop OS machines to deliver VM hosted applications.
- B. Install it directly on the endpoint devices, and include it in a virtual desktop session using the Local App Access feature.
- C. Install it in an Application Layer using Citrix App Layering, then present it to users as an Elastic Layer during a virtual desktop session.
- D. Stream it to a VDA machine using Microsoft App-V, and access it through a virtual desktop session.
- E. Push it to users with a Workspace Environment Management (WEM) action option.

Correct Answer: D

### QUESTION 4

Scenario: A Citrix Architect needs to assess a Citrix Virtual Apps and Desktops environment. The Citrix Virtual Apps and Desktops diagram in the exhibit gives details about the current Site and zone design.

Click the Exhibit button to view the diagram.



Which statement is correct if the Delivery Controller in Satellite Zone 2 fails?

- A. Virtual Delivery Agent (VDA) machines in Zone 2 will register within the Primary Zone
- B. Virtual Delivery Agent (VDA) machines in Zone 2 will register within Satellite Zone 1
- C. Virtual Delivery Agent (VDA) machines in Satellite Zone 2 will NOT register
- D. Virtual Delivery Agent (VDA) machines will register using the Local Host Cache (LHC)

Correct Answer: A

## QUESTION 5

Scenario: A Citrix Architect is designing a new Citrix Virtual Apps and Desktops environment. The customer requires that local users on the internal network have access to the Citrix environment from available, non-domain-joined desktops.

How should the architect configure StoreFront for the Citrix Virtual Apps and Desktops deployment to ensure this requirement is met?

- A. Use the Citrix StoreFront console to create the new store and then use the XenApp Services URL for the store
- B. Use the Citrix StoreFront option within Citrix Studio to create the new store and then use the XenApp Services URL for the store
- C. Use the Citrix StoreFront console to create a Desktop Appliance site



D. Use the PowerShell console to create a Desktop Appliance site

Correct Answer: D

---

### QUESTION 6

Scenario: The IT team of a company configured its Citrix environment on Microsoft Azure. Load on the servers is nominal during the off season, but during peak season, load increases on the infrastructure servers. This load varies from year to year. A Citrix Architect is asked to design a solution that dynamically increases and decreases the number of infrastructure servers.

What should the architect recommend the IT team create in Microsoft Azure to meet this demand?

- A. Availability sets
- B. Resource group
- C. Scale sets
- D. Availability domains

Correct Answer: B

Reference: <https://docs.citrix.com/en-us/advanced-concepts/implementation-guides/citrix-adc-vpx-onazure-autoscale-deployment-guide.html>

---

### QUESTION 7

Scenario: A Citrix Architect designed an active-passive Citrix Virtual Apps and Desktops environment,

where the passive data center serves as the disaster recovery (DR) data center for all users.

Twelve items have been configured:

Citrix ADC Global Server Load Balancing (GSLB) to provide single URL direction to the active data center.

GSLB has health monitors configured for the load balanced servers.

Citrix Gateways are on both data centers.

Citrix ADC load balancing occurs for StoreFront and Delivery Controller XML services.

A single Citrix Virtual Apps and Desktops Site exists.

Four Delivery Controllers are members of the Site.

Two Delivery Controllers are members of the Primary Zone in the active data center.

Two Delivery Controllers are members of the Satellite Zone in the passive data center.

SQL is deployed in the active data center.

Local Host Cache is enabled.



Two StoreFront servers are deployed in each data center aggregating resources from the Delivery Controllers in the respective data center.

Virtual Delivery Agent (VDA) machines are deployed in both data centers and configured to register with Delivery Controllers in their zone.

What would happen if the Delivery Controllers in the primary data center were turned off?

- A. VDA machines from the primary data center would register with the Delivery Controllers in the passive data center.
- B. StoreFront in the primary data center would still be able to launch sessions.
- C. GSLB will start redirecting connections to the secondary data center.
- D. GSLB will NOT identify that the Delivery Controllers are down and sessions CANNOT launch.

Correct Answer: B

### QUESTION 8

Scenario: A Citrix Architect is designing a new Citrix Virtual Apps and Desktops environment. Based on some initial discussions about the business goals and objectives of the company, the architect collected the information shown in the exhibit.

Click the Exhibit button to view the information.

Category	Detail
Application Name	HealthApp
Description	The application is an electronic medical recording (EMR) solution for large hospitals and healthcare systems. HealthApp has its own authentication engine to control access to sensitive data.
Usage	The application will be used by all employees in the organization.
OS Compatibility	The application is compatible with the Virtual Desktop Access (VDA) operating systems.
Special Considerations	All users will access HealthApp from non-domain, joined kiosk devices. Session reconnection and session roaming capabilities are NOT required.

What should the architect recommend to meet customer requirements?

- A. Have users connect to an unauthenticated store through the Citrix Workspace app for Web sites.
- B. Have users connect to an authenticated store through Citrix Workspace app for Web sites.
- C. Have users connect using a Desktop Appliance site created in the StoreFront console.
- D. Have users connect to an authenticated store through the Citrix Virtual Apps Services URL.

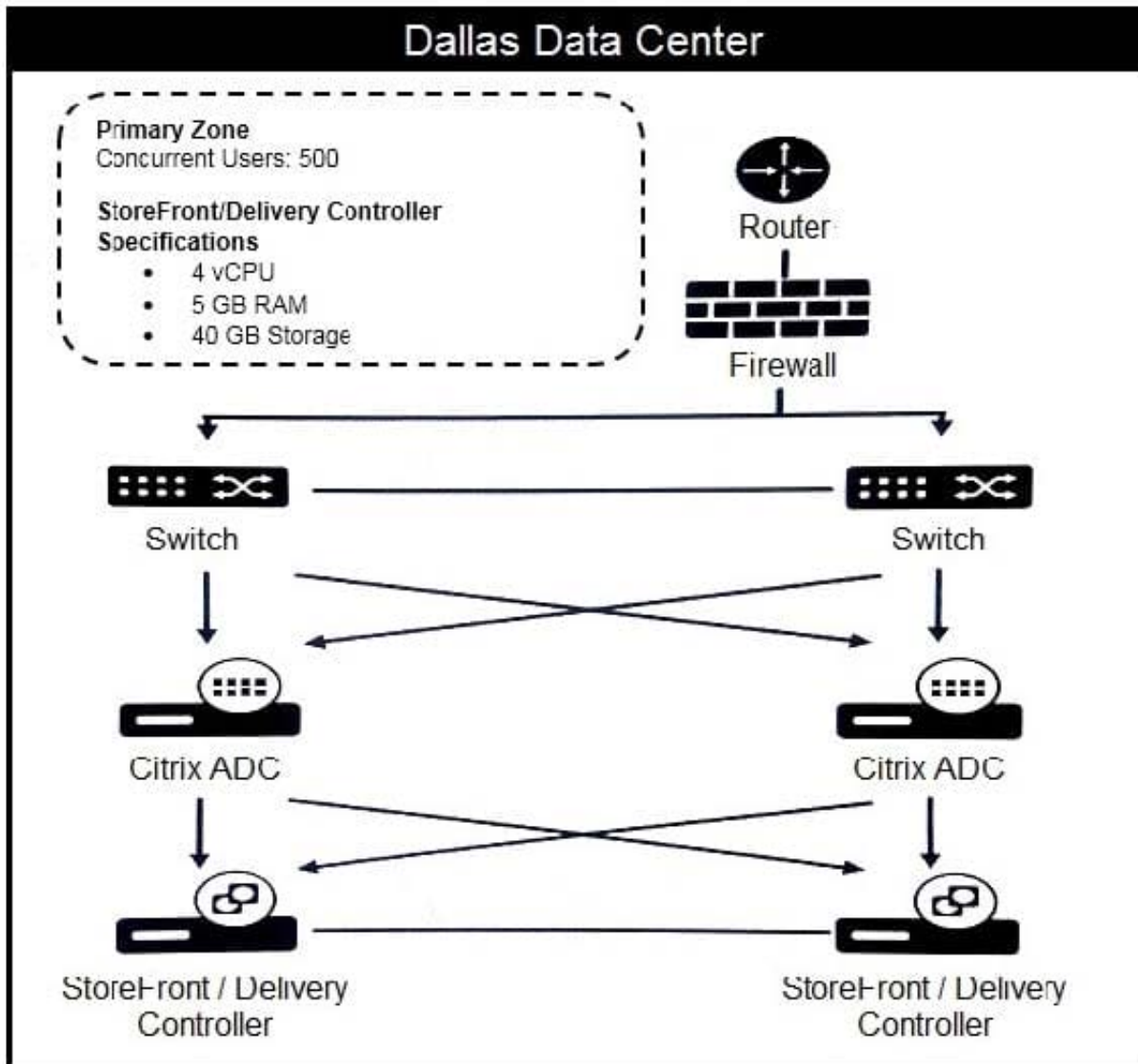


Correct Answer: D

### QUESTION 9

Scenario: A Citrix Architect is designing a single-Site Citrix Virtual Apps and Desktops production environment. Through earlier design discussions, the architect has determined the environment details listed in the exhibit

Click the Exhibit button to view the details.



What should the architect change in the current environment to align with Citrix leading practices?

- A. The existing Delivery Controller and StoreFront servers should be allocated an additional 2 GB of RAM each.
- B. A Delivery Controller should be removed from the Site.
- C. A Delivery Controller should be added to the Site.
- D. The Delivery Controller and StoreFront roles should NOT be co-located on the same server.



E. The existing Delivery Controller and StoreFront servers should be allocated two additional CPUs each.

Correct Answer: A

### QUESTION 10

Scenario: A Citrix Architect is designing a new Citrix Virtual Apps and Desktops environment. The architect's objective is to create a configuration to automatically reroute network traffic to the second NIC within the bond. The goal is to avoid a loss of productivity should the primary Citrix Hypervisor host NIC fail. Each hypervisor currently consists of a single, active 10 GB NIC and a second, dormant 1 GB NIC.

Which two network interface configurations should the architect implement? (Choose two.)

- A. Active-passive (LACP)
- B. Active-active (SLB)
- C. NIC teaming-bonding
- D. Active-active (LACP)

Correct Answer: AB

Reference: <https://docs.citrix.com/en-us/xencenter/current-release/hosts-network.html>

### QUESTION 11

Scenario: A Citrix Architect is designing a new Citrix Virtual Apps and Desktops environment.

The table in the exhibit lists details about the requirements of the current user groups and their Virtual Delivery Agent (VDA) machine workloads.

Click the Exhibit button to view the table.

User	Scaling Priority	VDA Type	Workload Weight	CPU Overcommit	Virtual CPUs per VM	VMs per Host	Users per VM
User Group 1	Scalability	Desktop	Medium	8:1	2	40	1
User Group 2	User Experience	Server	Medium	1.5:1	6	16	20
User Group 3	Scalability	Desktop	Heavy	6:1	4	36	1
User Group 4	Scalability	Server	Medium	1.5:1	6	27	20

The architect should scale the hardware used to host the virtual machines (VMs) for User Group 1 to \_\_\_\_\_ cores. (Choose the correct option to complete the sentence.)

- A. 32
- B. 64
- C. 96





D. 24

E. 16

Correct Answer: D

## QUESTION 12

Scenario: A Citrix Architect is designing a new Citrix Virtual Apps and Desktops environment. The architect has identified the requirements, based on the assessment and early stages of the design.

Click the Exhibit button to view the requirements.

Design Topic	Design Decision
Deployment type	Public Cloud – Microsoft Azure
Licensing	Citrix Virtual Desktops Platinum Edition; User/Device Licenses
Maximum Concurrent Users	1,000
Images	<ul style="list-style-type: none"><li>• Windows Server 2016 – 1<ul style="list-style-type: none"><li>○ FlexCast Model: Published Apps</li></ul></li><li>• Windows Server 2016 – 2<ul style="list-style-type: none"><li>○ FlexCast Model: Published Desktops</li></ul></li><li>• Windows 10<ul style="list-style-type: none"><li>○ FlexCast Model: Hosted VDI (Static and Persistent)</li></ul></li></ul>
User Applications	<ul style="list-style-type: none"><li>• Microsoft Office 2016: All Users</li><li>• Adobe Acrobat: All Users</li><li>• Internal Sales Application: Sales Group (500 Users)</li><li>• Mozilla Firefox: Developers Group (200 Users)</li><li>• Microsoft Office 2010: Accounting Group (50 Users)</li><li>• Human Resources (HR) App: HR Managers Only (15 Users)</li></ul>

Additionally, the IT team identified 2 provisioning strategy requirements:

Should be compatible with planned design decisions  
Should minimize required time to perform image and application updates

Which provisioning method should the architect use for the environment, based on the design decisions and requirements shown in the exhibit?

- A. Machine Creation Services (MCS) with App Layering
- B. Manual Provisioning with App Layering
- C. Manual Provisioning
- D. Citrix Provisioning with App Layering
- E. Citrix Provisioning
- F. Machine Creation Services (MCS)

Correct Answer: B

**QUESTION 13**

Scenario: A Citrix Architect is designing a new Citrix Virtual Apps and Desktops environment. Currently, the environment is configured as 2 locations with identical Citrix Virtual Desktops Sites. Each Site has 2 Delivery Controllers, 2 StoreFront servers, and 1 Citrix ADC high-availability pair. The same applications have been published from both Sites for all users. Two zones (Zone A and Zone B) are configured in each Site with 1 Delivery Controller in each zone. The Microsoft Exchange server is only accessible from Virtual Delivery Agent (VDA) machines in Zone A in each Site.

Six access requirements have been identified:

Users should have a single URL when accessing resources from different Sites.

Users should always connect to the data center closest to their location.

Applications added to Favorites within the Citrix Workspace app should be retained when accessed from different Sites.

Launched applications and desktops should always connect through a local Citrix ADC.

No duplication of applications published from different Sites.

Microsoft Outlook should always launch in Zone A.

What should the architect recommend configuring to avoid duplication of the same applications being delivered from different Sites?

- A. 'Keywords: Featured\\' in the properties of the published applications
- B. An Application Group
- C. Zone preferences for VDA machines hosting the applications
- D. Aggregate resources

Correct Answer: D

---

**QUESTION 14**

Scenario: A Citrix Architect is designing a new Citrix Virtual Apps and Desktops environment. While performing the capabilities assessment for the existing infrastructure, the architect discovered substantial issues with packet loss and latency, and no current Quality-of-Service (QoS) technology is in place to manage these issues.



Which capability risk will the architect need to investigate to address these issues?

- A. Access infrastructure
- B. Disaster recovery (DR) plan and implementation
- C. Network architecture
- D. Windows Server and Active Directory (AD) environments

Correct Answer: C

### QUESTION 15

Scenario: A Citrix Architect needs to design a new Citrix Virtual Apps and Desktops environment.

Click the Exhibit button to view information collected by the architect during the Resource Layer discussions.

Category	Detail
Active Directory (AD) Permissions	Only the AD team has domain administrator permissions, but the Citrix Administrative team is provided with delegated administrative access to Citrix-dedicated organizational units (OUs).
User Profile Type	Citrix Profile Management will be used.
Security Considerations	Virtual Delivery Agent (VDA) machines should receive additional lockdown settings that are NOT currently being applied elsewhere in the environment.
Other Requirements	The Citrix Administrator wants to centralize management of policy settings and ensure that Citrix policies have priority.  The administrator does NOT want additional software components installed on user desktops.

Based on the requirements, the Citrix Administrative team should use \_\_\_\_\_ to manage Citrix policies and \_\_\_\_\_ to manage Microsoft settings. (Choose the correct option to complete the sentence.)

- A. Citrix Studio; Active Directory Group Policy Objects
- B. Active Directory Group Policy Objects; Workspace Environment Manager
- C. Citrix Studio; Workspace Environment Manager
- D. Citrix Studio; Local policies
- E. Active Directory Group Policy Objects; Active Directory Group Policy Objects

Correct Answer: E