



1Y0-402^{Q&As}

Citrix XenApp and XenDesktop 7.15 Assessment, Design and Advanced Configurations

Pass Citrix 1Y0-402 Exam with 100% Guarantee

Free Download Real Questions & Answers **PDF** and **VCE** file from:

<https://www.pass4itsure.com/1y0-402.html>

100% Passing Guarantee
100% Money Back Assurance

Following Questions and Answers are all new published by Citrix Official Exam Center

-  **Instant Download** After Purchase
-  **100% Money Back** Guarantee
-  **365 Days** Free Update
-  **800,000+** Satisfied Customers





QUESTION 1

Scenario: A Citrix Architect needs to design a new XenApp and XenDesktop environment. The customer previously installed all applications locally on managed laptops and desktops but is willing to evaluate other application delivery methods as part of the new deployment. The environment will be standardized on Windows 10 and Windows Server 2016 for the Virtual Delivery Agent (VDA) machines.

As part of an application analysis performed earlier in the project, the information in the Exhibit was collected regarding one of the required applications.

Click the Exhibit button to view the information.

Category	Detail
Application Name	Workspace Payroll
Description	Application that can be used to view and change employee salaries and bonuses
Usage	The application is used by a handful of designated individuals within the Human Resources and executive teams.
OS Compatibility	The application is compatible with the target operating systems.
Special Considerations	<p>To meet security requirements, this application must NOT be present on any machines accessed by unauthorized users.</p> <p>Users should NOT be able to download, copy, or otherwise access payroll data on their endpoints.</p> <p>The payroll application must be able to communicate with a number of other applications and services on the machine where it is running.</p> <p>HR managers and executives require access to the same common applications as the rest of the organization.</p>

The customer has an additional objective to minimize the number of images that must be managed. How should the architect install the application?

- A. Directly on endpoint devices and included in a virtual desktop session using the Local App Access feature
- B. On an Application Layer using Citrix App Layering, be included in a layered image, and accessed through a virtual desktop session
- C. Directly on a Server OS VDA machine and accessed from the endpoint as a published application
- D. Stream it to a VDA machine using Microsoft App-V and accessed through a virtual desktop session
- E. On an Application Layer using Citrix App Layering then be presented to assigned users as an Elastic Layer during a virtual desktop session

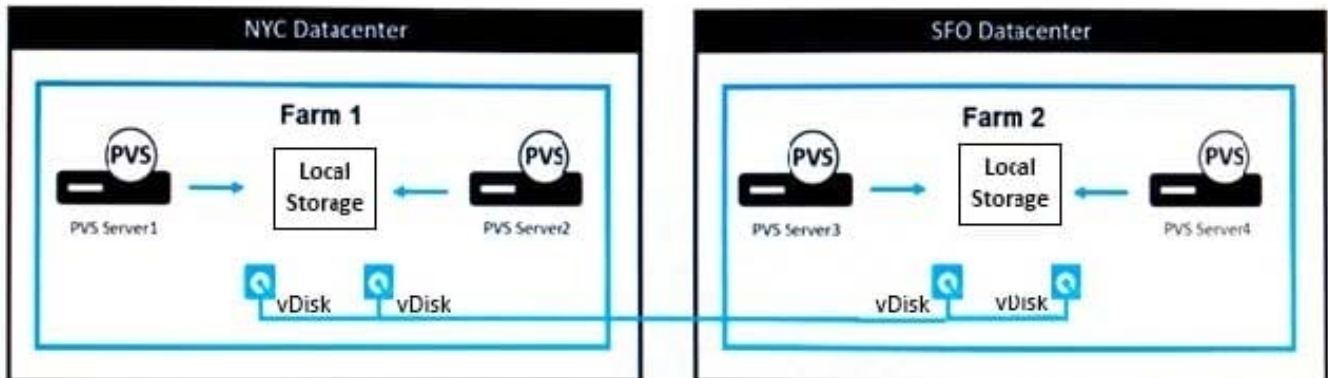
Correct Answer: B



QUESTION 2

Scenario: A Citrix Architect needs to design a multi-datacenter XenApp and XenDesktop environment that will use Provisioning Services (PVS) to manage Virtual Delivery Agent (VDA) machine images. Each datacenter will have a separate Provisioning Services farm. During the design discussions, the architect creates a diagram to depict the way vDisk files will be replicated between PVS farms, based on the available storage for the vDisk Stores.

Click the Exhibit button to view the diagram.



Overall, the customer has identified the following objectives for the image replication process:

Minimize the administrative time required to replicate images between farms
Must be usable by storage administrators without PVS farm administrative permissions
Can handle network interruptions without administrator intervention

Which method should the architect use to replicate the vDisk files between datacenters?

- A. Scheduled robocopy commands
- B. vDisk Replicator Tool
- C. Microsoft DFS-R
- D. Manual copy
- E. SAN replication

Correct Answer: B

QUESTION 3

Scenario: A Citrix Architect needs to design a new XenApp and XenDesktop environment.

The architect has identified the Resource Layer requirements shown in the Exhibit.

Click the Exhibit button to view the requirements.



User Group	Do user settings need to persist?	Assigned FlexCast model	Access required to profile folders?	Additional Requirements
Accountants	Yes	Published apps	No	No
Executives	Yes	Remote PC	Yes, the following folders should be available: <ul style="list-style-type: none">• Contacts• Desktop• Downloads• Favorites• My Documents	Profile data should be preserved even if resource machine fails. Solution must NOT require anything to be installed on the Remote PCs.
Graphic Designers	Yes	Hosted VDI (Static / persistent, uses vGPU)	Yes, the following folders should be available: <ul style="list-style-type: none">• Contacts• Desktop• Favorites• My Documents• My Pictures• My Videos	Need to ensure application data is NOT lost if the application crashes
Customer Service	No	Published Desktop (Server OS)	No	No

Additionally, management at the organization has identified the following general Resource Layer requirements:

The profile solution should be centrally managed.

The profile solution should minimize logon and logoff times as much as possible.

User groups do NOT need to use the same profile type.

Citrix Director should be used for monitoring profiles.

Which profile type should the architect use for the Executives group?

- A. Local
- B. Microsoft roaming
- C. Citrix Profile Management
- D. Mandatory

Correct Answer: B

QUESTION 4



Scenario: A Citrix Architect needs to implement XenDesktop in an environment. The XenDesktop design requires enabling TLS encryption between components to ensure Payment Card Industry (PCI) compliance. A PCI audit determines that TLS must be used for communication with the Virtual Delivery Agent (VDA) machines.

Which three tasks should the architect perform to enable TLS on VDA machines? (Choose three.)

- A. Run a Citrix-provided PowerShell script on the VDA machine image to enable TLS
- B. Enable TLS for Delivery Groups on the Delivery Controller
- C. Run a Citrix-provided PowerShell script on the Delivery Controllers.
- D. Enable TLS for the XenDesktop Site
- E. Deploy certificates to the Delivery Controller
- F. Deploy certificates to the VDA machines

Correct Answer: BCD

QUESTION 5

A Citrix Architect is designing a new XenApp and XenDesktop environment. The IT team would like to deploy Windows 10 persistent VDI and Windows Server 2016 non-persistent hosted shared desktops.

The IT team has used physical servers in the past to host the IT infrastructure but would like to move to a hypervisor solution for the new environment. At the same time, the hardware and storage costs for the new deployment should be minimized where possible.

The IT team has requested there are no company-wide outages during hardware updates and maintenance.

The architect should recommend that failover clusters and live migration be used for _____ and that these resource clusters should use _____ storage. (Choose the correct option to complete the sentence.)

- A. Citrix infrastructure only; SAN
- B. Citrix infrastructure only; local
- C. all XenApp and XenDesktop components; SAN
- D. all XenApp and XenDesktop components; local
- E. Citrix infrastructure and dedicated desktops only; local

Correct Answer: B

QUESTION 6

Scenario: During an assessment of a Citrix Infrastructure, a Citrix Architect finds that there are four active Sites. Each Site has one NetScaler SDX pair and two StoreFront servers in a server group to allow access for internal and external users. Users have to use different URLs when they access resources from different Sites. Single-factor authentication is used for both internal and external access. NetScaler appliances are placed in the DMZ with the appropriate firewall ports configured to allow Citrix traffic. Many of the internal users connect using corporate-owned laptops and some



external users also connect using personal devices.

The architect needs to provide a design for a multi-tier environment with segregated internal and external traffic on the NetScaler appliance.

How many NetScaler instances and StoreFront servers are required to meet this highly available design?

- A. Eight NetScaler instances (two in each Site) and sixteen StoreFront servers (four in each Site)
- B. Four NetScaler instances (one in each Site) and eight StoreFront servers (two in each Site)
- C. Eight NetScaler instances (two in each Site) and eight StoreFront servers (two in each Site)
- D. Sixteen NetScaler instances (four in each Site) and eight StoreFront servers (two in each Site)

Correct Answer: B

QUESTION 7

Scenario: At a consumer goods company, a XenApp 6.5 environment is hosted on XenServer 6.5. The IT team is migrating to XenApp and Desktop service on Citrix Cloud. Server OS machines will be hosted on-premises and Desktop OS machines will be hosted on Microsoft Azure.

Which Citrix Smart Tool can reduce the cost of running XenApp and XenDesktop in public clouds?

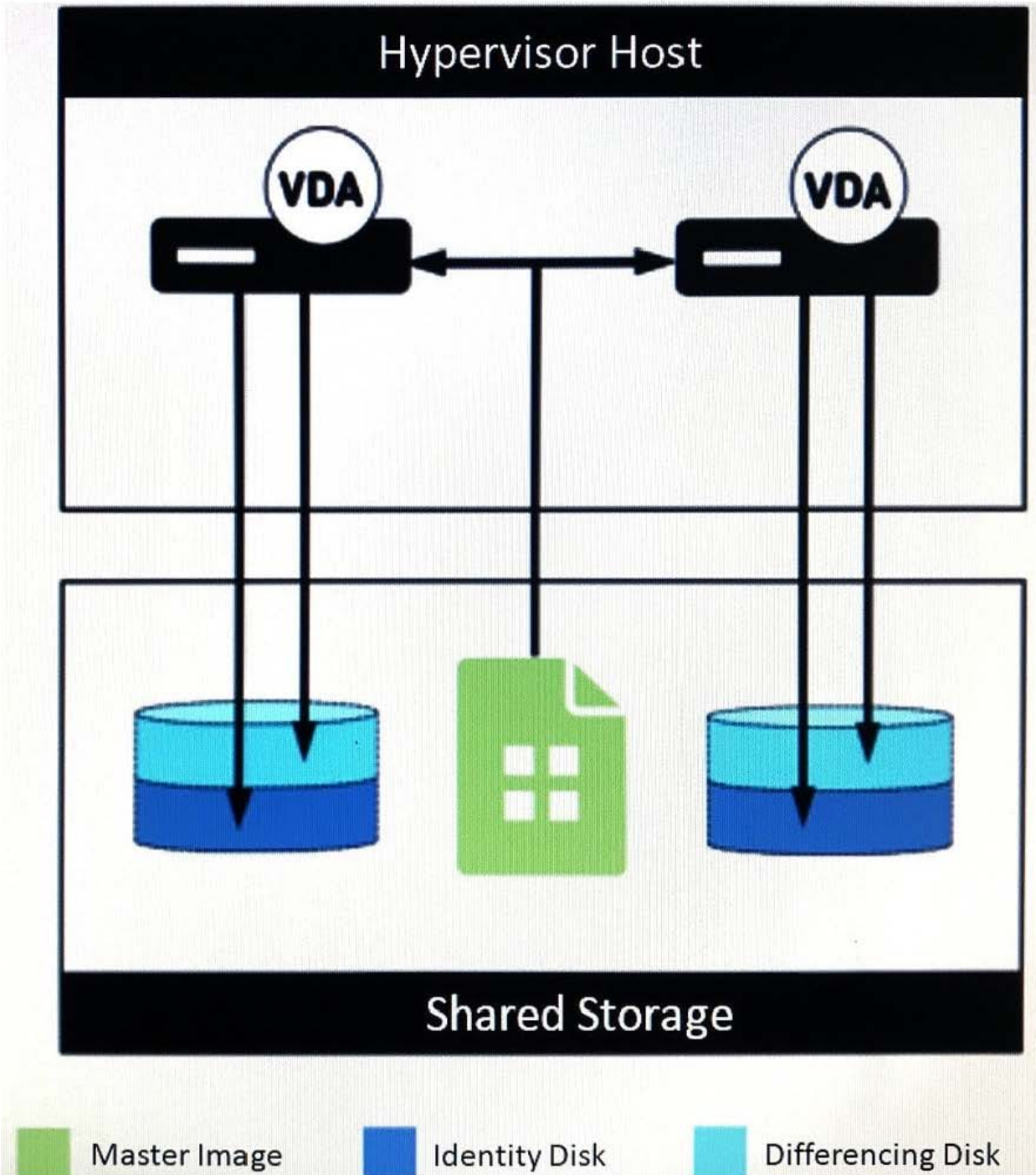
- A. Smart Check
- B. Smart Migrate
- C. Smart Build
- D. Smart Scale

Correct Answer: D

QUESTION 8

Scenario: A Citrix Architect needs to redesign an existing XenApp and XenDesktop environment to use Machine Creation Services (MCS). During the design discussions, the locations for the MCS-provisioned thin clone machine disks are proposed as shown in the Exhibit.

Click the Exhibit button to view the details.





Which potential concern should the architect address with the customer before proceeding with this configuration? (Choose two.)

- A. It is limited to NFS shared storage.
- B. It will require substantial read IOPS from the shared storage location during machine creation and updates.
- C. It will require substantial write IOPS to the shared storage location as temporary data is written.
- D. It will require more storage to be allocated on the VM hosts compared with other options.
- E. It is limited to certain hypervisors.

Correct Answer: CE

QUESTION 9

Scenario: A Citrix Architect needs to design a new XenApp and XenDesktop environment.

The table in the Exhibit lists details about the requirements of the current user groups and their Virtual Delivery Agent (VDA) machine workloads.

Click the Exhibit button to view the table.

User	Scaling Priority	VDA Type	Workload Weight	CPU Overcommit	Virtual CPUs per VIM	VMs per Host	Users per VM
User Group 1	Scalability	Desktop	Heavy	6:1	4	30	1
User Group 2	User experience	Server	Medium	1:5:1	16	18	20
User Group 3	Scalability	Desktop	Medium	6:1	2	40	1
User Group 4	Scalability	Server	Medium	1:5:1	6	27	20

At a minimum, the architect should scale the hardware used to host the VMs for User Group 1 _____ GB of RAM.

- A. 128
- B. 64
- C. 384
- D. 512
- E. 256

Correct Answer: E

QUESTION 10



Scenario: A Citrix Architect needs to design a new XenApp and XenDesktop environment.

Click the Exhibit button to view information collected by the architect during the Resource Layer discussions.

Category	Detail
Active Directory Permissions	Only the Active Directory (AD) team has domain administrator permissions, but the Citrix Administrative team is provided with delegated administrative access to the Citrix dedicated OUs.
User Profile Type	Citrix Profile Management will be used.
Required Policies	Citrix Administrators are permitted to use the Block Inheritance feature for the Citrix dedicated OU, as long as required corporate policy settings are manually re-applied to the Virtual Delivery Agent machines. The Loopback Policy setting can be applied in Merge mode.
Security Considerations	The Virtual Delivery Agent machines should receive additional lockdown settings that are NOT currently being applied elsewhere in the environment.
Other Requirements	The Active Directory team would like to centralize the management of policy settings as long as other requirements are met.

Based on the requirements, the Citrix Administrative team should use _____ to manage Citrix policies and _____ to manage Microsoft settings. (Choose the correct option to complete the sentence.)

- A. Citrix Studio; Workspace Environment Manager
- B. Active Directory Group Policy Objects; Active Directory Group Policy Objects
- C. Citrix Studio; Local Policies
- D. Active Directory Group Policy Objects; Workspace Environment Manager
- E. Citrix Studio; Active Directory Group Policy Objects

Correct Answer: C

QUESTION 11

Scenario: A Citrix Architect needs to design a new XenApp and XenDesktop environment.

The architect has determined the user groups and FlexCast model listed in the Exhibit during the high-level design. Click the Exhibit button to view the user group and FlexCast model details.



User Groups	Endpoint	Network	Virtual Desktop	Desktop	Comments
Accountants	Corporate-owned	LAN	Pooled VDI	Windows 7	Office Applications
Executives	Corporate-owned	LAN	Hosted Shared App	Windows 2016	None
Graphic Designers	Mac BYOD	LAN	Hosted Shared Desktop	Windows 2008R2	Multimedia with High Frame Rate
Customer Service	Corporate-owned	WAN	Personal Hosted Desktop	Windows 10	None
Field Engineers	Mobile broadband tablet	Satellite link	Hosted Shared Desktop	Windows 2008R2	3D CAD

Which graphics protocol should the architect select for the highlighted group in the Exhibit?

- A. Thinwire (Legacy)
- B. Framehawk
- C. Thinwire+
- D. H.264

Correct Answer: C

QUESTION 12

Scenario: A Citrix Architect is designing a XenDesktop environment. The Engineer group requires the use of NVIDIA hardware with shared virtualized GPUs due to their use of graphical applications. Management wants to use the following components within the XenDesktop environment to meet these requirements:

NVIDIA GRID Tesla M60 GPUs Microsoft Hyper-V Server 2012 R2 Windows 7 virtual machines XenDesktop LTSR 7.15

Which component must the architect change in order to implement this use case?

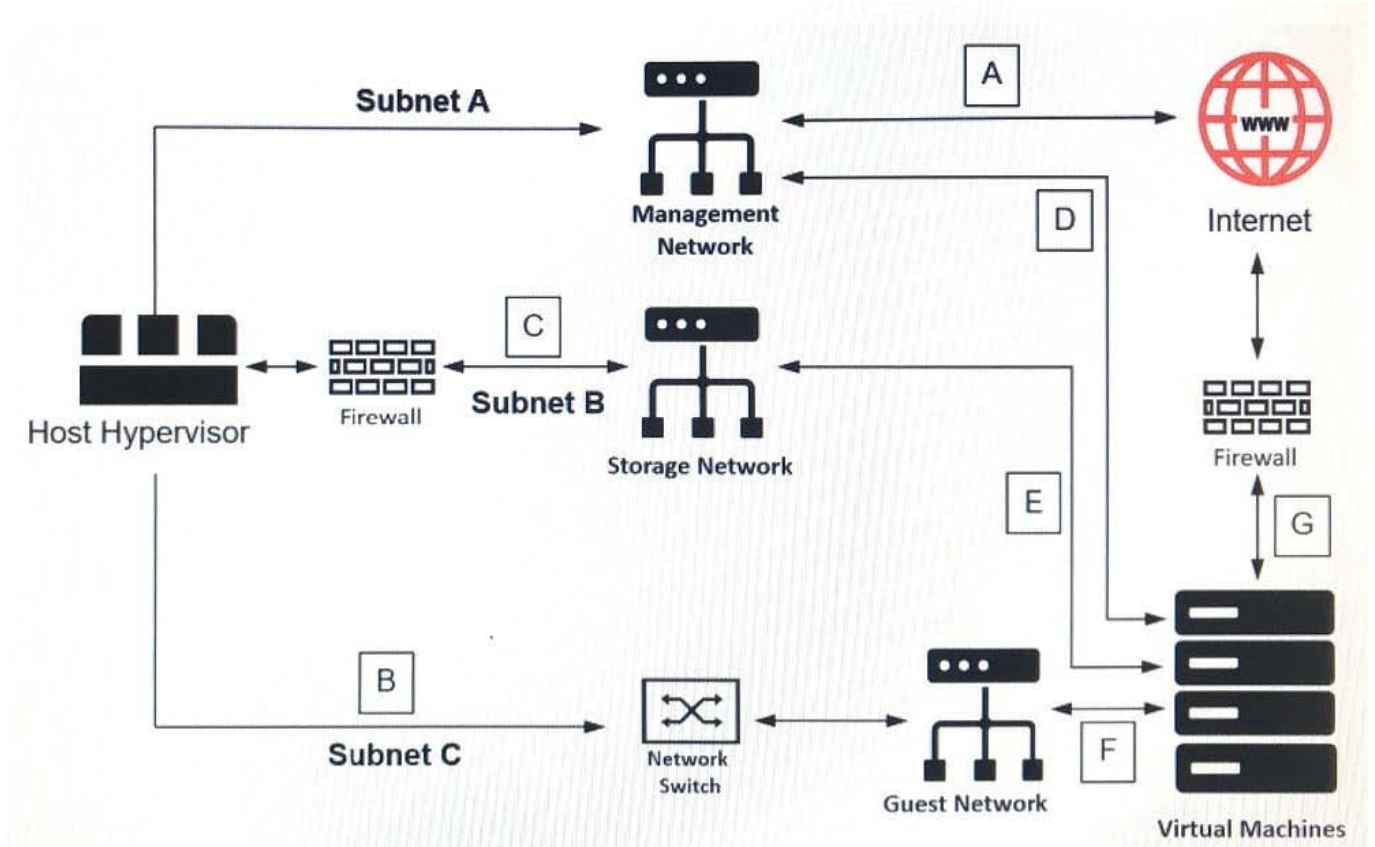
- A. Windows 7 virtual machines
- B. NVIDIA GRID Tesla M60 GPUs
- C. XenDesktop LTSR 7.15
- D. Microsoft Hyper-V Server 2012 R2

Correct Answer: D

QUESTION 13

Scenario: A Citrix Architect must complete a XenApp and XenDesktop security assessment. After examining the network topology for the hypervisor hosts supporting the Virtual Delivery Agent (VDA) machines, the architect finds that some of the network connections are NOT following leading security practices.

Click the Exhibit button to view a high-level diagram which shows the connectivity between various components.



Which three of the labeled areas of the diagram represent connections which are NOT following Citrix leading security practices? (Choose three.)

- A. G
- B. B
- C. A
- D. E
- E. F
- F. D
- G. C

Correct Answer: DEF

QUESTION 14

Scenario: A Citrix Architect needs to design a new XenApp and XenDesktop environment.

The architect has identified the Resource Layer requirements shown in the Exhibit.

Click the Exhibit button to view the requirements.



User Group	Do user settings need to persist?	Assigned FlexCast model	Access required to profile folders?	Additional Requirements
Accountants	Yes	Published apps	Yes, the following folders should be available: <ul style="list-style-type: none">• Contacts• Desktop• Favorites• My Documents	Needs synchronization of a specific application log file within the AppData folder
Executives	Yes	Remote PC Access	Yes, the following folders should be available: <ul style="list-style-type: none">• Contacts• Desktop• Downloads• Favorites• My Documents	Needs ability to use resource locally while offline
Graphic Designers	Yes	Hosted VDI (Static / persistent, uses vGPU)	No	No
Customer Service	No	Published Desktop (Server OS)	No	No

Which Citrix Profile Management feature can help the architect address the Accountants group requirements?

- A. Profile streaming
- B. File exclusions
- C. File inclusions
- D. Profile caching

Correct Answer: C

QUESTION 15

Scenario: A Citrix Architect needs to design a new XenApp and XenDesktop environment.

The architect has identified the User Layer requirements, as shown in the Exhibit. Click the Exhibit button to view the requirements.



User Group	User Devices	Connection Point	Security Requirements
Accountants	Corporate-owned desktops, laptops	Internal and External	Should NOT be permitted to access payroll and e-banking apps outside the corporate network
Sales Associates	BYOD smartphones, tablets	Internal and External	Have access to customer data and pricing information
Customers	Public kiosks	Internal	Use kiosks to access a published app hosted by a group of servers in an isolated network segment Should NOT have knowledge of Workspace Services credentials
Contractors	BYOD desktops, laptops	External	Should NOT have knowledge of Workspace Services credentials and must supply their own authentication provider

Additionally, management at the organization has identified the following general Access Layer requirements:

A multi-factor authentication method is required for any connections to the XenApp and XenDesktop environment originating from outside the corporate network.

External connections must be authenticated by a NetScaler Gateway virtual server located in a DMZ network.

Internal connection traffic should NOT leave the internal corporate network.

Which Access Layer feature should the architect configure to meet the security requirements of the Accountants group?

- A. SmartControl
- B. Endpoint analysis scan
- C. SmartAccess
- D. Federated Authentication Service

Correct Answer: A