

100% Money Back Guarantee

Vendor: Novell

Exam Code: 050-686

Exam Name: Foundations of novell Networking:netware 6.5

Version: Demo

www.Pass4itSure.com

Exam Name:	Foundations of Novell Networking: Netware 6.5		
Exam Type:	Novell		
Exam Code:	50-686	Total Questions	190

Question: 1

Which describes the role of the Novell Distributed Print Services (NDPS) printer agent?

- A. It downloads the correct print driver to the workstation.
- B. It responds to queries from clients about the status of a print job.
- C. It provides a platform for printer objects that reside on the server.
- D. It allows NDPS clients to sent print jobs to printers that are not NDPS-aware.
- E. It redirects print jobs to directory on the server while waiting for the printer to become available.
- F. It takes application-specific data from the application creating the print job and reformats it to work with the printer it is being sent to.

Answer: B

Question: 2

You're implementing a NetWare 6.5 network for a small business client: Jessica's Bakery. There is only one server in the network. You've named the server BAKERY1 and installed it into an eDirectory tree named JESSICASBAKERY-TREE. You've used a random password generator to create a password for the tree's Admin user. To ease administration, you've located the server next to the Point of Sale system in the customer area of the bakery. You deployed Universal Password on the server. All workstations have Novell Client 4.9 installed on them. You created a NFAP share on the server for the SHARED and the FINANCE directories on the server's DATA volume. Does this configuration meet Novell's security recommendations?

- A. Yes, all Novell security guidelines have been met.
- B. No, the server should be placed in a locked closet or room.
- C. No, you shouldn't use Universal Password with Novell Client version 4.9.
- D. No, you shouldn't use the business name in the server or eDirectory tree names.
- E. No, you shouldn't create NFAP shares for directories containing financial information.
- F. No, you shouldn't use a random password generator for the Admin password. It's easy to hack.

Answer: B

Question: 3

Which web-based services does Virtual Office provide? (Choose 3.)

- A. Chat
- B. Calendar
- C. Bookmarks
- D. Spreadsheet
- E. Word processor
- F. Project management charts

Answer: A, B, C

Question: 4

During the installation of NetWare 6.5, the server files are installed on the _____ volume.
Answer:

- A. SYS

Answer: A

Question: 5

You've just finished configuring an iPrint system on your NetWare 6.5 server. The server's DNS name is iprint.widget.com. The Manager object is named IPP-Printer in the SLC.WIDGET

Exam Name:	Foundations of Novell Networking: Netware 6.5		
Exam Type:	Novell		
Exam Code:	50-686	Total Questions	190

container. The Broker object is named IPP-Broker and is also in SLC.WIDGET. You've used the Maptool.htm file to configure a map named slcoffice.htm for location-based printing. What URL should you enter in your browser's Address field to test the iPrint map?

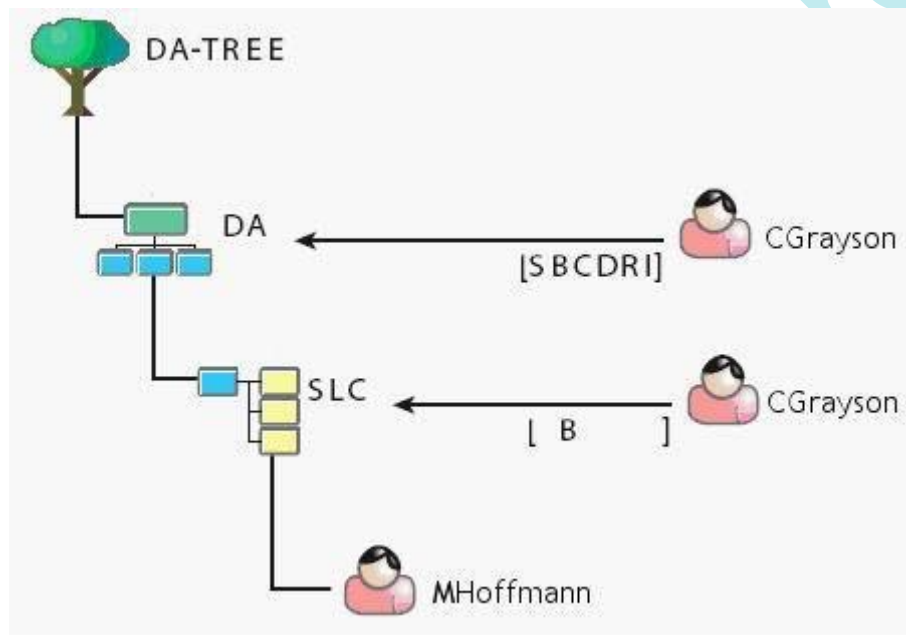
- A. http://iprint.widget.com/slcoffice.htm
- B. http://iprint.widget.com/lpp/slcoffice.htm
- C. http://iprint.widget.com/lppdocs/Maptool.htm
- D. http://iprint.widget.com/iPrint/slcoffice.htm
- E. http://iprint.widget.com/lppdocs/slcoffice.htm
- F. http://iprint.widget.com/lpp/slcoffice.htm -b=IPP-Broker.SLC.WIDGET
- G. http://iprint.widget.com/lppdocs/slcoffice.htm -m=IPP-Printer.SLC.WIDGET

Answer: E

Question: 6

Click the Exhibit button to begin.

Given the explicit right assignments shown, what rights does CGrayson have to the MHoffmann user object?



- A. Supervisor
- B. Browse
- C. Browse, Create
- D. Browse, Create, Delete
- E. Browse, Create, Delete, Rename, Inheritable
- F. Supervisor, Browse, Create, Delete, Rename
- G. Supervisor, Browse, Create, Delete, Rename, Inheritable
- H. CGrayson has no rights to the MHoffmann user object.

Answer: B

Question: 7

Your company specializes in the production of digital video products. Your company has been recently awarded a very large contract that has a very short deadline. Your NetWare 6.5 server

Exam Name:	Foundations of Novell Networking: Netware 6.5		
Exam Type:	Novell		
Exam Code:	50-686	Total Questions	190

currently uses a single 80 GB IDE hard disk drive. The new contract will require considerably more hard disk storage. You've purchased and installed a 400 GB RAID5 disk array designed specifically for non-linear video editing. The array came with a diskette containing NetWare drivers. Which file on your server should you edit to load these drivers?

- A. RAID.NCF
- B. SERVER.EXE
- C. CONFIG.SYS
- D. STARTUP.NCF
- E. STARTUP.CFG
- F. STORAGE.NCF
- G. AUTOEXEC.BAT
- H. RAID5 array drivers can only be loaded manually from the server console.

Answer: D

Question: 8

Which utilities can you use to manage directory and file attributes on a NetWare 6.5 server? (Choose 2.)

- A. ICE
- B. FLAG
- C. iManager
- D. iMonitor
- E. NDS Manager
- F. Remote Manager

Answer: B, F

Question: 9

Your company's business procedures require the use of triplicate forms. To accommodate this, you have secured an older dot-matrix printer to deploy in your network. It doesn't have a network interface. It will be connected directly to one of your server's LPT ports using an IEEE 1284 parallel cable. You use Novell Distributed Print Services (NDPS) to provide print services to your users. This printer doesn't have an embedded printer agent. Can you use it with NDPS?

- A. Yes, all prerequisite requirements have been met.
- B. No, the NDPS manager doesn't support older dot-matrix printers.
- C. No, the NDPS broker is incompatible with the IEEE 1284 standard.
- D. No, NDPS doesn't support printers that don't have an embedded printer agent.
- E. No, a printer agent can't be created for printers that connect to the server with a parallel cable.

Answer: A

Question: 10

Which utility can be used to create NSS volumes in NetWare 6.5? (Choose 2.)

- A. NSSMU
- B. iMonitor
- C. NWCONFIG
- D. ConsoleOne
- E. NDS Manager
- F. NetWare Administrator

Answer: A, D

Exam Name:	Foundations of Novell Networking: Netware 6.5		
Exam Type:	Novell		
Exam Code:	50-686	Total Questions	190

Question: 11

You're designing the eDirectory tree for your company. Your company is composed of four distinct subsidiary organizations. You decide to create four Organization objects at the root of your tree to represent each. Each subsidiary has its own Vice President who is in charge of the organization. You decide to create a user object for each Vice President in their respective Organization object. Will this design work?

- A. Yes, all eDirectory rules have been observed.
- B. No, user objects can't reside in an Organization object.
- C. No, Organization objects can only reside within Country objects.
- D. No, there can only be one Organization object within a given tree.
- E. No, Organization objects should not be used to represent subsidiaries. Organizational Unit objects should be used instead.

Answer: A

Question: 12

Which of the following are system files used by DR-DOS? (Choose 3.)

- A. NTLDR
- B. IO.SYS
- C. MSDOS.SYS
- D. IBMBIO.COM
- E. IBMDOS.COM
- F. COMMAND.COM
- G. NTDETECT.COM
- H. PAGEFILE.SYS

Answer: D, E, F

Question: 13

Which file system attribute indicates that the file has been modified at some point since the last backup operation?

- A. A
- B. H
- C. P
- D. Ci
- E. Dc
- F. Di
- G. Dm
- H. Ds
- I. Ic
- I. Ro
- I. Sh

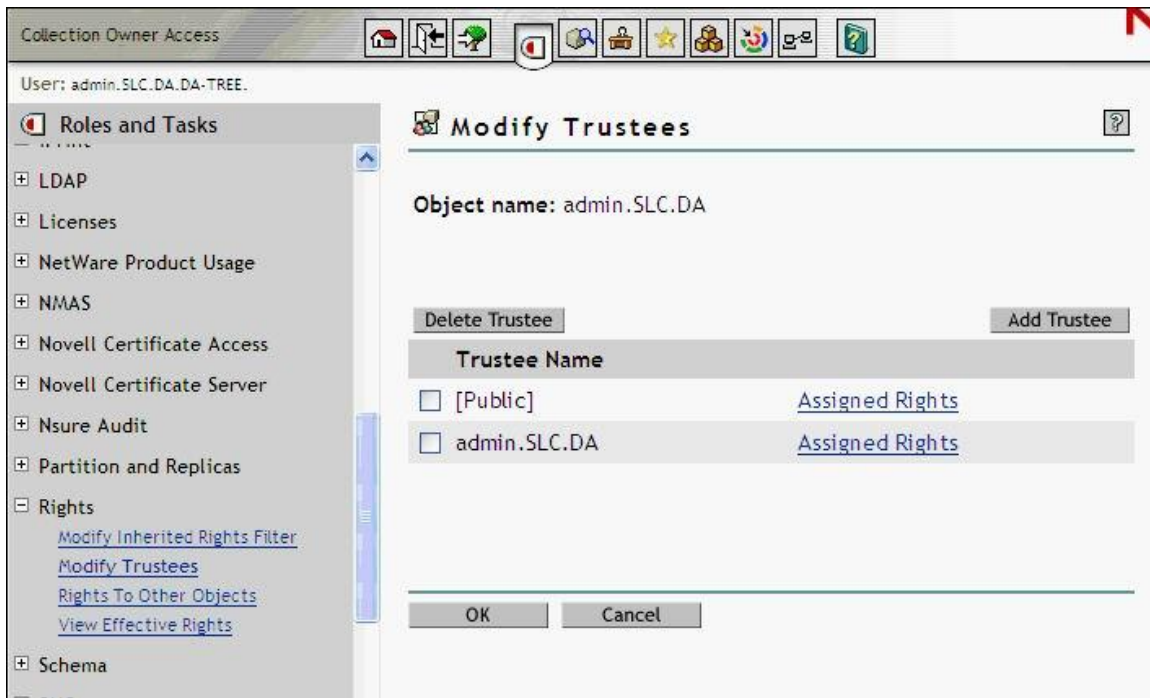
Answer: A

Question: 14

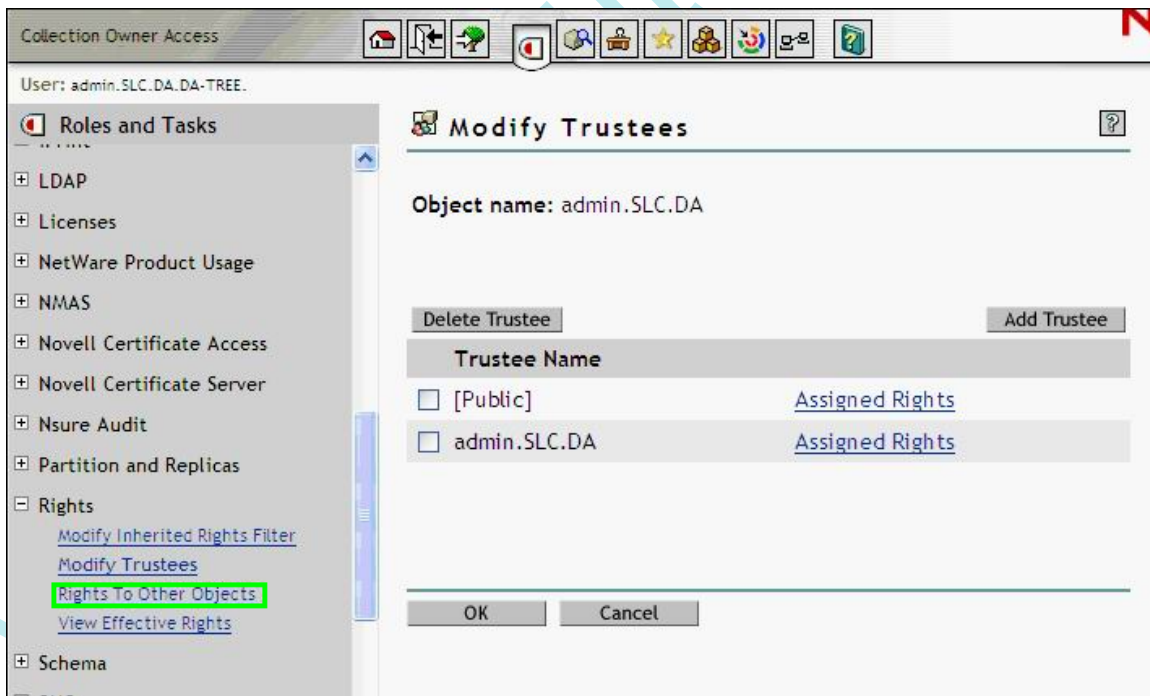
Click the Point and Click button to begin.

Click the option in iManager you would use to see every object that the Admin.SLC.DA user objects is an explicit trustee of.

Exam Name:	Foundations of Novell Networking: Netware 6.5		
Exam Type:	Novell	Total Questions	190
Exam Code:	50-686		



Answer:



Question: 15

Which tasks can be performed with ConsoleOne? (Choose 2.)

- A. Manage licensing.
- B. Assign rights to objects.

Exam Name:	Foundations of Novell Networking: Netware 6.5		
Exam Type:	Novell		
Exam Code:	50-686	Total Questions	190

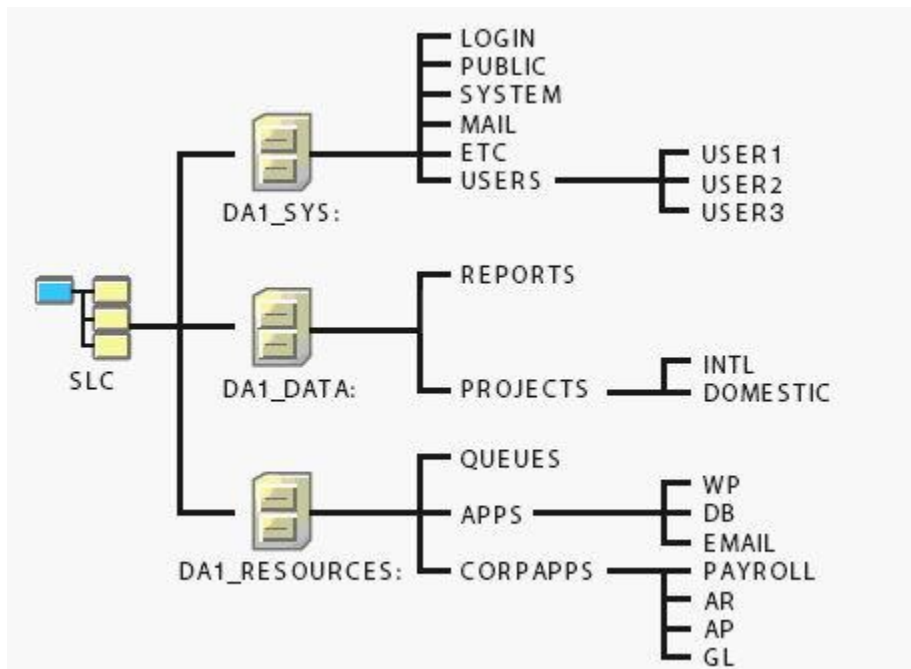
- C. Browse very large trees.
- D. Configure NDPS Brokers.
- E. Change the server's IP address.

Answer: B, C

Question: 16

Click the Exhibit button to begin.

What element of this file system design violates Novell's recommendations?



- A. The MAIL directory should reside on a volume other than SYS.
- B. The QUEUES directory should be placed on a volume other than DATA.
- C. The USERS directory and subsequent subdirectories should not reside on SYS.
- D. The SYS, DATA, and RESOURCES volume objects should not be placed in the same container.
- E. The REPORTS, PROJECTS, QUEUES, APPS, and CORPAPPS directories shouldn't be split between DATA and RESOURCES.

Answer: C

Question: 17

You've been asked by management to implement Novell's iFolder product throughout the company. You've installed a new NetWare 6.5 server, named DA28, in the tree to provide iFolder services. The IP address of DA28 is 192.168.1.28. During the server install, you selected the iFolder patterned deployment. You now need to configure iFolder on the server. What URL can you use to access the iFolder Management Console?

- A. http://192.168.1.28/vo/Admin
- B. http://192.168.1.28:8008/Admin
- C. http://192.168.1.28/iFolderAdmin
- D. http://192.168.1.28/iFolder/Admin
- E. http://192.168.1.28:443/iFolder/Admin

Exam Name:	Foundations of Novell Networking: Netware 6.5		
Exam Type:	Novell		
Exam Code:	50-686	Total Questions	190

- F. <http://192.168.1.28/iFolderServer/Admin>
G. <http://192.168.1.28:631/iFolderServer/Admin>
H. <http://192.168.1.28/nps/iManager/iFolderAdmin>

Answer: F

Question: 18

Click the Point and Click button to begin.

A user in your company has moved from the London office to the Sydney office. You need to move her user object in the eDirectory tree to the appropriate container. Click the iManager option you would use to do this.



Answer:

Exam Name:	Foundations of Novell Networking: Netware 6.5		
Exam Type:	Novell		
Exam Code:	50-686	Total Questions	190

**Question: 19**

The _____ feature of NSS allows the sum of the sizes of each volume in a partition to exceed the size of the partition itself. Answer:

A. OVERBOOKING

Answer: A

Question: 20

Which products does Virtual Office provide web-based access to? (Choose 3.)

- A. eGuide
- B. iFolder
- C. NetStorage
- D. WAN Manager
- E. Remote Manager
- F. Web Search Server

Answer: A, B, C

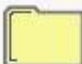

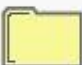


Question: 21

Click the Exhibit button to begin.

The user object RTracy is a member of the FlightOps group. This group has been assigned Read, Write, Create, Erase, and File Scan file system rights to the SHARED folder. FLIGHTOPS is a subdirectory of SHARED that contains confidential data. An IRF has been placed on this directory that blocks the Write, Create, Erase, Modify, and Access Control rights. However, user RTracy needs limited access to these files. His object has an explicit rights assignment to FLIGHTOPS for the Write, Modify, and Access Control rights.

What are RTracy's effective rights to the contents of the FLIGHTOPS directory?

Exam Name:	Foundations of Novell Networking: Netware 6.5		
Exam Type:	Novell		
Exam Code:	50-686	Total Questions	190

	Group Rights Granted		[R W C E F]
SHARED		FlightOps	
	IRF		[S R ↓ ↓ ↓ ↓ F ↓]
FLIGHTOPS		FlightOps	
	User Rights Granted		[W M A]
		RTracy	

- A. Supervisor
- B. Read, File Scan
- C. Read, Write, Modify, Access Control
- D. Read, Write, Create, Erase, File Scan
- E. Read, Write, Modify, File Scan, Access Control
- F. This object has no rights to the directory or its contents.

Answer: E

Question: 22

Which NetWare loadable module provides the iPrint service on a NetWare 6.5 server?

- A. IPP.NLM
- B. IPRINT.NLM
- C. NPRINT.NLM
- D. IPPSRVR.NLM
- E. PSERVER.NLM
- F. IPRINTSRVR.NLM

Answer: D

Question: 23

Which NSS volume attribute maintains an inventory of all files on the volume that have had their contents changed at some point since the last backup operation?

- A. Backup
- B. Salvage
- C. Migration
- D. Compression
- E. Directory Quotas
- F. Modified File List
- G. User Space Restrictions
- H. Flush Files Immediately on Close

Answer: F

Question: 24

You're planning the network file system for a NetWare 6.5 server you are going to install. Your server has a mirrored 40 GB SCSI-3 hard disk drive array. On the array, you've decided to create

Exam Name:	Foundations of Novell Networking: Netware 6.5		
Exam Type:	Novell		
Exam Code:	50-686	Total Questions	190

one NSS volume named SYS. In addition to the default operating system directories created when NetWare is installed, you want to create a directory named USERS off the volume root where each user will have his or her home directory. You also want to create a directory named SPOOL off the volume root where print jobs waiting to be printed on the network printer will reside. Finally, you want to create a directory named APPS off the volume root where network-distributed applications will reside. Does this design meet with Novell guidelines?

- A. Yes, all Novell guidelines have been met.
- B. No, NSS doesn't support mirrored drive arrays
- C. No, NSS doesn't support SCSI-3 hard disk drives.
- D. No, the user's home directory should be named HOME.
- E. No, only the NetWare operating system should reside on volume SYS.
- F. No, volume SYS should be a traditional volume on a NetWare 6.5 server.
- G. No, the users' home directories should be placed immediately beneath SYS:\PUBLIC.

Answer: E

Question: 25

Where is the ConsoleOne utility located, by default, on a NetWare 6.5 server?

- A. SYS:\PUBLIC\MGMT\
- B. SYS:\PUBLIC\CONSOLEONE\
- C. SYS:\PUBLIC\MGMT\CONSOLEONE\
- D. SYS:\PUBLIC\CONSOLEONE\1.2\BIN
- E. SYS:\PUBLIC\MGMT\CONSOLEONE\BIN
- F. SYS:\PUBLIC\MGMT\CONSOLEONE\1.2\
- G. SYS:\PUBLIC\MGMT\CONSOLEONE\1.2\BIN

Answer: G

Question: 26

Which of the following technologies is used by NetWare 6.5 to prevent data from being written to bad blocks on the hard disk drive by redirecting it to a reserved area of the partition?

- A. HPFS
- B. iSCSI
- C. Rsync
- D. Hot Fix
- E. Hot-Plug
- F. Overbooking
- G. Storage Pools
- H. Block Suballocation

Answer: D

Question: 27

Drive G: is currently mapped to DA1\DATA:\. You need to remove this drive mapping. To do this you would enter _____ at your workstation's DOS prompt. Answer:

- A. MAPDELG:

Answer: A

Question: 28

Exam Name:	Foundations of Novell Networking: Netware 6.5		
Exam Type:	Novell		
Exam Code:	50-686	Total Questions	190

You've configured the DNS name iprint.widget.com to point to the NetWare 6.5 server hosting your iPrint service. Your Print Service Manager object is named iPrintMan in the CORP.LGA.WIDGET container in your WIDGET-TREE eDirectory tree. What command should you enter at the server console to configure iPrint to use this DNS name?

- A. IPP IPRINTMAN.CORP.LGA.WIDGET IPRINT.WIDGET.COM
- B. NDPSM IPRINTMAN.CORP.LGA.WIDGET IPRINT.WIDGET.COM
- C. IPP IPRINTMAN.CORP.LGA.WIDGET /URL=IPRINT.WIDGET.COM
- D. NDPSM IPRINTMAN.CORP.LGA.WIDGET /URL=IPRINT.WIDGET.COM
- E. IPP IPRINTMAN.CORP.LGA.WIDGET /DNSNAME=IPRINT.WIDGET.COM
- F. NDPSM IPRINTMAN.CORP.LGA.WIDGET /DNSNAME=IPRINT.WIDGET.COM

Answer: F

Question: 29

You're implementing a network for your company from scratch. You've just completed installing the CAT-5 wiring, RJ-45 jacks, and Fast Ethernet switches that will service your network. During the installation of NetWare 6.5, the only system connected to the network is the server you are performing the installation on. As you have decided to use the IPX protocol on your network, what frame type will be bound, by default, to your server's network board by the installation program?

- A. 802.2
- B. 802.3
- C. 802.5
- D. 802.11b
- E. Ethernet_II
- F. Ethernet_SNAP

Answer: A

Question: 30

You have just finished configuring a Novell Distributed Print Services system for your organization on your NetWare 6.5 server. You've created a Broker object, a Manager object, and configured a Printer Agent and gateway for your organization's printer. You've loaded the broker and manager services on your server. You configured the Remote Printer Management service to automatically download the correct printer driver to your client Windows XP Professional workstations. When you log in from the workstations using the Novell Client 4.83, the drivers are not downloaded. You've tried logging in from every workstation and it doesn't work on any of them. What's causing this problem?

- A. You need to upgrade to the Novell Client version 4.9.
- B. You must load the Printer Agent software (PRAGENT.NLM) on the server.
- C. You need to download and install the latest Support Pack on the server.
- D. Remote Printer Management isn't compatible with Windows XP Professional.
- E. The NDPS component of the Novell Client hasn't been installed on the workstations.

Answer: E

Question: 31

Which of the following tasks are done within the Virtual Office web page instead of in iManager? (Choose 2.)

- A. Add team owners
- B. Set the chat IP port

Exam Name:	Foundations of Novell Networking: Netware 6.5		
Exam Type:	Novell		
Exam Code:	50-686	Total Questions	190

- C. Set notify preferences
- D. Configure the team file share
- E. Specify the IMAP/POP3 server address

Answer: A, C

Question: 32

You have a Novell Distributed Print Services (NDPS) Broker object in your tree named Broker.SLC.DA. Which command would you use to load the Broker on a NetWare 6.5 server?

- A. BROKER SLC.DA
- B. BROKER BROKER.SLC.DA
- C. BROKER CONTEXT=SLC.DA
- D. BROKER -N BROKER.SLC.DA
- E. NDPSBROKER BROKER.SLC.DA
- F. NDPSBROKER CONTEXT=SLC.DA
- G. NDPSBROKER -N BROKER.SLC.DA

Answer: B

Question: 33

You're troubleshooting a problem with file system rights on your WIDGET1 NetWare 6.5 server. WIDGET1 is in the .SLC.WIDGET context. The RHugie.LON.WIDGET user object has the Supervisor effective right to every file and directory on every volume on WIDGET1. You've checked the trustee list for the volume and directories and RHugie does not have an explicit rights assignment granted. What is the cause of his excessive rights?

- A. RHugie has the Supervisor right granted to WIDGET1's volume objects in eDirectory.
- B. RHugie has the Supervisor right to the LON organizational unit object in eDirectory.
- C. RHugie has the Supervisor effective right to the WIDGET1 server object in eDirectory .
- D. The NetWare server needs to have the latest Support Pack installed to fix this known bug.
- E. RHugie has Browse, Create, Rename, and Delete rights to the SLC organizational unit object in eDirectory.

Answer: C

Question: 34

You've just completed installing a new NetWare 6.5 server in your network. It's the only NetWare server currently in your network. You've installed the Native File Access Protocols (NFAP) product on the server and configured a share for the SHARED directory on your DATA volume. When you log in with Novell Client version 4.9, everything seems to work correctly. However, when you try to access the share from workstations that don't have the Novell Client installed using the Microsoft Client for Microsoft Networks, you are unable to authenticate to the server to access the share. What is the cause of this problem?

- A. You can't use the text "SHARED" in an NFAP share name.
- B. You can't create an NFAP share on a NetWare volume other than SYS.
- C. You must have more than one NetWare server in the eDirectory tree to use NFAP.
- D. Universal Password is disabled, you need to enable it on the server or configure the user accounts with a Simple Password.
- E. NFAP is incompatible with the Microsoft Client for Microsoft Networks. You must use the Microsoft Client for Novell Networks.
- F. You are using an outdated version of the Microsoft Client for Microsoft Networks. You need to download the latest version.

Exam Name:	Foundations of Novell Networking: Netware 6.5		
Exam Type:	Novell		
Exam Code:	50-686	Total Questions	190

G. You must have the Novell Client version 4.83 or later installed to access a NFAP share using the Microsoft Client for Microsoft Networks.

Answer: D

Question: 35

DA1, a NetWare 6.5 server, has been functioning as a DNS server for hosts on your company's network. However, you have decided to move that service to a different NetWare server: DA23. You need to stop the DNS server, provided by NAMED.NLM, on DA1. To do this, you need to enter _____ at the server console of DA1. Answer:

A. UNLOADNAMED.NLM

Answer: A

Question: 36

You're designing your organization's eDirectory tree. You have decided to name your tree ACME_CORP-TREE. You've created a Country object below the tree root and named it US. Within C=US, you've created four Organization objects for each of your organization's functional divisions. To ease administration, you've decided to place your Admin user object directly below the tree root. Will this design work?

- A. Yes, all eDirectory rules have been observed.
- B. No, you can't use an underscore in the tree name.
- C. No, User objects can't reside directly below the tree root .
- D. No, Country objects can't reside directly below the tree root.
- E. No, Country objects must use the full name of the country they represent, not its abbreviation.
- F. No, if you use Country objects, the next level down the tree must represent geographic locations, not organizational divisions.

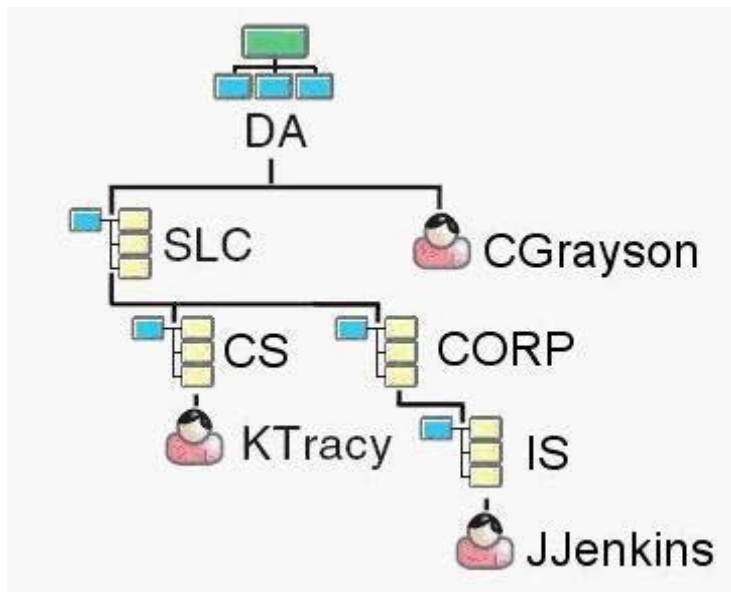
Answer: C

Question: 37

Click the Exhibit button to begin.

If the current context is set to .CORP.SLC.DA, what is the relative distinguished name for the Jjenkins object?

Exam Name:	Foundations of Novell Networking: Netware 6.5		
Exam Type:	Novell	Total Questions	190
Exam Code:	50-686		



- A. JJenkins
- B. JJenkins.IS
- C. IS.JJenkins
- D. JJenkins.IS.CORP
- E. CORP.IS.JJenkins
- F. JJenkins.IS.CORP.SLC
- G. JJenkins.IS.CORP.SLC.DA

Answer: B

Question: 38

Which product can be used to track eDirectory security issues? (Choose 2.)

- A. Rsync
- B. OpenSSH
- C. BindView
- D. NMAP.EXE
- E. BURGLAR.NLM
- F. SETPASS.NLM
- G. CRACKER.NLM
- H. Novell Branch Office Server
- I. Novell Advanced Audit Service
- I. Novell exteNd Application Server

Answer: C, I

Question: 39

By default, where does the STARTUP.NCF file reside?

- A. C:\
- B. SYS:\
- C. SYS:\ETC
- D. C:\NWSERVER
- E. SYS:\SYSTEM
- F. SYS:\PUBLIC

Exam Name:	Foundations of Novell Networking: Netware 6.5		
Exam Type:	Novell		
Exam Code:	50-686	Total Questions	190

- G. SYS:\STARTUP
- H. C:\NWSERVER\STARTUP
- I. C:\NWSERVER\DRIVERS

Answer: D

Question: 40

During the NetWare 6.5 installation process, you must provide a name for the server. Given that the name of the eDirectory tree you are installing the server into is ALPHA, which is a valid name you could use? (Choose 2.)

- A. A
- B. ALPHA
- C. .ALPHA
- D. ALPHA_1
- E. ALPHA_1-CORPORATE-DENVER-COLORADO-WEST
- F. ALPHA_1-CORPORATE-DENVER-COLORADO-WESTERN-REGION-UNITED_STATES

Answer: D, E

Question: 41

Which method will allow you to access the Novell Client properties page on a Windows XP workstation? (Choose 2.)

- A. Right-click the red N icon in the System Tray; then select Novell Client Properties.
- B. Right-click anywhere on the Desktop and select Properties; then select Novell Client for Windows.
- C. In the Local Area Connection Properties dialog, select Novell Client for Windows; then select Properties.
- D. Right-click the Start button and select Network Connections; then select Novell Client for Windows > Properties.
- E. Right-click My Computer and select Properties; then select Network Connections > Novell Client for Windows > Properties.
- F. In Control Panel, right-click Network Connections and select Properties; then select Novell Client for Windows > Properties.

Answer: A, C

Question: 42

You're working at the server console of DA1. A situation has arisen that requires you to securely access the server console of DA2, which is located in a different building some distance away. DA2's IP address is 192.168.1.2. To access DA2's server console as Admin with OpenSSH, you enter _____ at DA1's server console. Answer:

- A. SSHADMIN@192.168.1.2

Answer: A

Question: 43

In NetWare 6.5, which file extension is used for network board drivers?

- A. .NCF
- B. .LAN
- C. .HAM
- D. .CDM

Exam Name:	Foundations of Novell Networking: Netware 6.5		
Exam Type:	Novell		
Exam Code:	50-686	Total Questions	190

E. .NLM

Answer: B

Question: 44

A new employee has been hired by your company. She will be a member of a workgroup that authors your company's marketing materials. All workgroup files are stored on the WIDGET2 server in the MASTER directory on the DATA volume. She needs to be able to open and read existing files as well as modify them. She will also need to be able to create new files as well as delete old files. She will need to modify the file names of existing files from time to time. What rights assignments does she need to the MASTER directory to accomplish her work?

- A. Read
- B. Read, File Scan
- C. Read, Write, Create
- D. Read, Access Control
- E. Read, Write, File Scan
- F. Read, Write, Create, Erase
- G. Read, Write, Create, Erase, Modify

Answer: G

Question: 45

You've just installed a new content management application on your NetWare 6.5 server. You installed it on the APPS volume in the KNOWLEDGE directory. To manage the application, you must remember the full path to this directory. You want to create a search drive so you don't have to remember the full path. Which command would you enter at the server console to do this?

- A. SEARCH APPS:\KNOWLEDGE
- B. MAP S1:=APPS:\KNOWLEDGE
- C. SEARCH ADD APPS:\KNOWLEDGE
- D. ADD SEARCH APPS:\KNOWLEDGE
- E. SEARCH APPS:\KNOWLEDGE ADD
- F. ADD APPS:\KNOWLEDGE SEARCH
- G. MAP INS S16:=APPS:\KNOWLEDGE

Answer: C

Question: 46

Click the Point and Click button to begin.
Click on the object that represents an Alias object.

Exam Name:	Foundations of Novell Networking: Netware 6.5		
Exam Type:	Novell		
Exam Code:	50-686	Total Questions	190



Answer:

www.Pass4itSure.com

Exam Name:	Foundations of Novell Networking: Netware 6.5		
Exam Type:	Novell		
Exam Code:	50-686	Total Questions	190

**Question: 47**

You need to access your NetWare 6.5 server's console. However, you're currently in a different building. You decide to use Remote Manager to access the server from a Windows XP workstation. Your server's DNS name is da5.da.com. What URL should use to access Remote Manager? (Choose 2.)

- A. http://da5.da.com:81
- B. http://da5.da.com:8008
- C. https://da5.da.com:444
- D. https://da5.da.com:8009
- E. http://da5.da.com/nps/RemoteManager.html
- F. https://da5.da.com:443/nps/RemoteManager.html

Answer: B, D

Question: 48

You've just created an NSS volume on your NetWare 6.5 server named SHARED. Your server name is WIDGET1. What will the volume object in eDirectory be named?

- A. SHARED
- B. WIDGET1_SHARED
- C. WIDGET1~SHARED
- D. WIDGET1#SHARED
- E. WIDGET1&SHARED

To Read the [Whole Q&As](#), please purchase the [Complete Version](#) from [Our website](#).

Trying our product !

- ★ **100%** Guaranteed Success
- ★ **100%** Money Back Guarantee
- ★ **365 Days** Free Update
- ★ **Instant Download** After Purchase
- ★ **24x7** Customer Support
- ★ Average **99.9%** Success Rate
- ★ More than **69,000** Satisfied Customers Worldwide
- ★ Multi-Platform capabilities - **Windows, Mac, Android, iPhone, iPod, iPad, Kindle**

Need Help

Please provide as much detail as possible so we can best assist you.

To update a previously submitted ticket:



 One Year Free Update <p>Free update is available within One Year after your purchase. After One Year, you will get 50% discounts for updating. And we are proud to boast a 24/7 efficient Customer Support system via Email.</p>	 Money Back Guarantee <p>To ensure that you are spending on quality products, we provide 100% money back guarantee for 30 days from the date of purchase.</p>	 Security & Privacy <p>We respect customer privacy. We use McAfee's security service to provide you with utmost security for your personal information & peace of mind.</p>
---	---	--

Guarantee & Policy | Privacy & Policy | Terms & Conditions

Any charges made through this site will appear as Global Simulators Limited.

All trademarks are the property of their respective owners.