



WORKKEYS^{Q&As}

WorkKeys Assessment Test

Pass ACT WORKKEYS Exam with 100% Guarantee

Free Download Real Questions & Answers **PDF** and **VCE** file from:

<https://www.pass4itsure.com/workkeys.html>

100% Passing Guarantee
100% Money Back Assurance

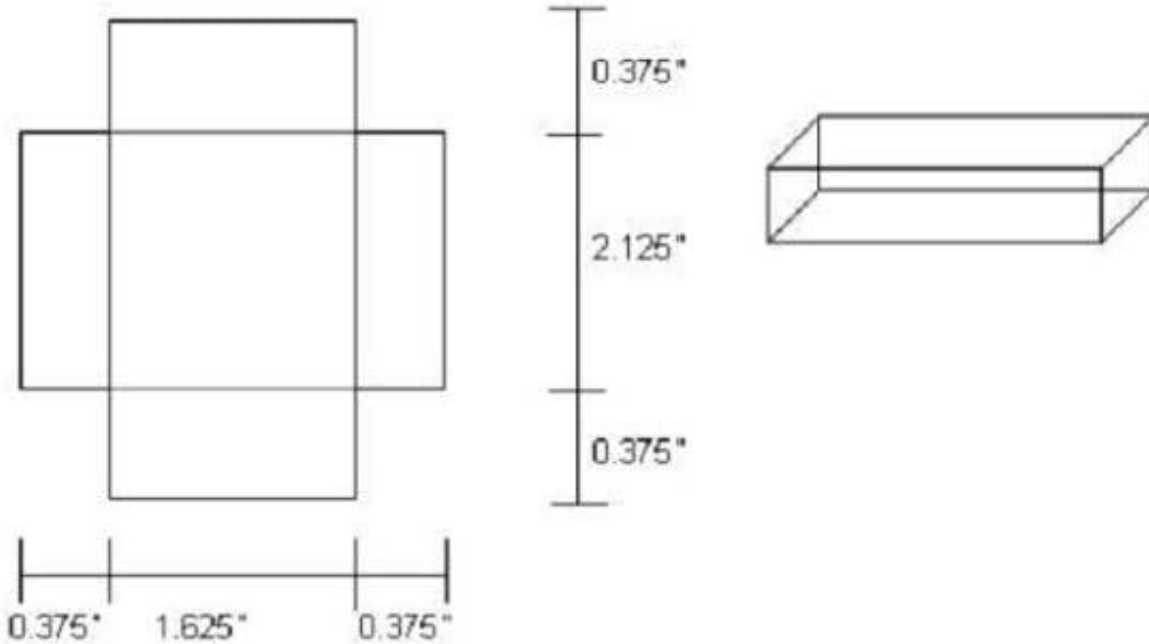
Following Questions and Answers are all new published by ACT Official Exam Center

-  **Instant Download** After Purchase
-  **100% Money Back** Guarantee
-  **365 Days** Free Update
-  **800,000+** Satisfied Customers



**QUESTION 1**

Shown below is the print that is to be folded into a box: Tolerances on all measurements are +0.002 inches. What is the percent change from the ideal volume if the minimum tolerance for each dimension is reached?



- A. 0.77%
- B. 1%
- C. 1.7%
- D. 7%
- E. 14%

Correct Answer: A

QUESTION 2

You go into the video store with \$52.00 in your wallet. Videos are on sale for \$14.95 each. How many can you buy if there is no sales tax?

- A. 2 videos
- B. 3 videos
- C. 4 videos



D. 5 videos

E. 6 videos

Correct Answer: B

QUESTION 3

Melinda worked the following hours during one week. She is paid \$8.50 per hour for the first 40 hours of work. After 40 hours, she receives $1\frac{1}{2}$ times her regular hourly rate. How much money did Melinda earn this week?

Day	Hours Worked
Monday	6.5
Tuesday	9.0
Wednesday	10.25
Thursday	12.5
Friday	8.25

A. \$340.00

B. \$395.25

C. \$422.88

D. \$592.88

E. \$601.32

Correct Answer: C

QUESTION 4

Johnson Landscape is installing mulch at a site. The area of the site is 150 feet by 210 feet. The mulch will be applied to a depth of 4 inches. Red mulch costs \$45.00 per cubic yard. Natural brown mulch costs \$38.00 per cubic yard (mulch is only sold in whole yards). How much would the company save by using natural brown mulch?

A. \$2723.00

B. \$3215.00

C. \$8169.00

D. \$24,500.00



Correct Answer: A

QUESTION 5

A landscape company has been contracted to plant 3 trees. The trees have spherically-shaped rootballs with diameters of 18 inches. A rule of thumb when creating the hole to place the tree in is that the diameter of the hole should be $1\frac{1}{2}$ times larger than the diameter of the tree. Since the soil the trees are going to be planted into needs extra nutrients, you are going to haul in soil to fill the holes. How many cubic yards of soil will the company need, rounded to the $\frac{1}{4}$ cubic yard?

- A. $\frac{1}{4}$ yd³
- B. $\frac{1}{2}$ yd³
- C. 1 cubic yard
- D. $4\frac{1}{4}$ yd³
- E. $12\frac{3}{4}$ yd³

A. Option A

B. Option B

C. Option C

D. Option D

E. Option E

Correct Answer: B

[Latest WORKKEYS Dumps](#)

[WORKKEYS PDF Dumps](#)

[WORKKEYS VCE Dumps](#)