



S10-210^{Q&As}

Storage Networking Management and Administration

Pass SNIA S10-210 Exam with 100% Guarantee

Free Download Real Questions & Answers **PDF** and **VCE** file from:

<https://www.pass4itsure.com/s10-210.html>

100% Passing Guarantee
100% Money Back Assurance

Following Questions and Answers are all new published by SNIA
Official Exam Center

-  **Instant Download** After Purchase
-  **100% Money Back** Guarantee
-  **365 Days** Free Update
-  **800,000+** Satisfied Customers





QUESTION 1

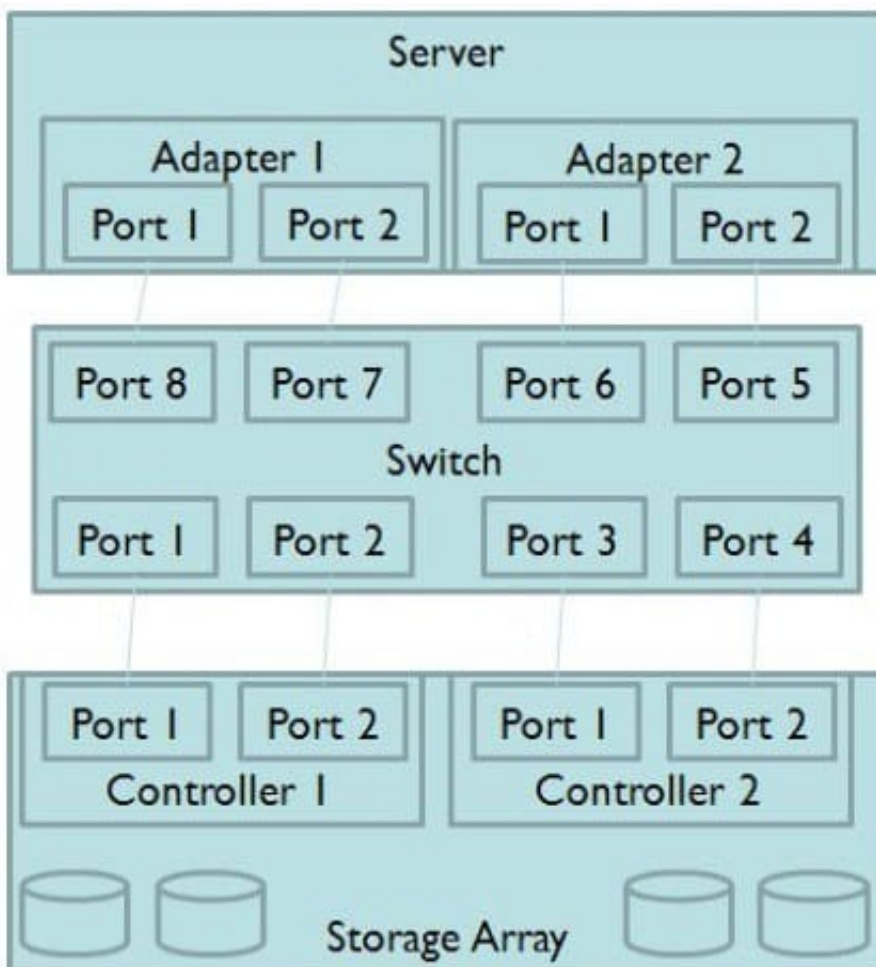
You are asked to set up a server to boot from a SAN. Which setting on the HBA needs to be configured?

- A. Change the queue depth value.
- B. Set Enable BIOS.
- C. Enable Persistent Bindings.
- D. Set Enable Target Rescan.

Correct Answer: B

QUESTION 2

Click the Exhibit button.



Referring to the exhibit, what are the two largest risks to a highly available solution? (Choose two.)

- A. Only two adapters per controller

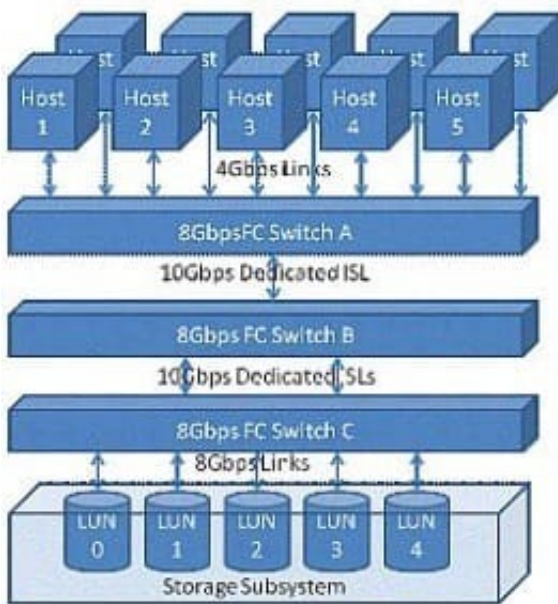


- B. Only two adapters on the server
- C. Only one server
- D. Only one switch

Correct Answer: CD

QUESTION 3

Click the Exhibit button.



The customer application requires a 50/50 R/W ratio with 100 MBps throughput requirements for each direction of the link. The application servers will simultaneously sustain these data rates across all LUNs in parallel.

Referring to the exhibit, where will the oversubscribed link(s) occur?

- A. Links between hosts and Switch A
- B. Inter-switch link between Switch A and Switch B
- C. Inter-switch link between Switch B and Switch C
- D. Links between Switch C and storage

Correct Answer: D

QUESTION 4

Which two cloud deployment models address data privacy issues? (Choose two.)



- A. Community
- B. Public
- C. Private
- D. Hybrid
- E. Campus

Correct Answer: CD

QUESTION 5

Click the Exhibit button.

```
stat_wtx          2493559995  4-byte words transmitted
stat_wrx          11910199   4-byte words received
stat_ftx          75073403   Frames transmitted
stat_frx          9008398    Frames received
stat_c2_frx       0          Class 2 frames received
stat_c3_frx       9008117   Class 3 frames received
stat_lc_rx        164         Link control frames received
stat_mc_rx        0          Multicast frames received
stat_mc_to        0          Multicast timeouts
stat_mc_tx        0          Multicast frames transmitted
er_enc_in         0          Encoding errors inside of frames
er_crc            0          Frames with CRC errors
.....
er_trunc          0          Frames shorter than minimum
er_toolong        0          Frames longer than maximum
er_bad_eof        0          Frames with bad end-of-frame
er_enc_out        3073       Encoding error outside of frames
er_bad_os         14811      Invalid ordered set
er_rx_c3_timeout  0          Class 3 receive frames discarded due to
timeout
er_tx_c3_timeout  0          Class 3 transmit frames discarded due to
timeout
er_c3_dest_unreach 0          Class 3 frames discarded due to destination
unreachable
er_other_discard  644         Other discards
=)
```

Referring to the exhibit, which three switch indicators will help you to determine the stability of a link? (Choose three.)

- A. er_crc
- B. er_toolong
- C. er_enc_in
- D. er_bad_eof
- E. er_trunk

Correct Answer: ACD



VCE & PDF

Pass4itSure.com

<https://www.pass4itsure.com/s10-210.html>

2024 Latest pass4itsure S10-210 PDF and VCE dumps Download

[S10-210 VCE Dumps](#)

[S10-210 Study Guide](#)

[S10-210 Exam Questions](#)