



PCNSA^{Q&As}

Palo Alto Networks Certified Network Security Administrator

Pass Palo Alto Networks PCNSA Exam with 100% Guarantee

Free Download Real Questions & Answers **PDF** and **VCE** file from:

<https://www.pass4itsure.com/pcnsa.html>

100% Passing Guarantee
100% Money Back Assurance

Following Questions and Answers are all new published by Palo Alto Networks Official Exam Center

-  **Instant Download** After Purchase
-  **100% Money Back** Guarantee
-  **365 Days** Free Update
-  **800,000+** Satisfied Customers





QUESTION 1

Which interface type is part of a Layer 3 zone with a Palo Alto Networks firewall?

- A. Management
- B. High Availability
- C. Aggregate
- D. Aggregation

Correct Answer: C

QUESTION 2

To use Active Directory to authenticate administrators, which server profile is required in the authentication profile?

- A. domain controller
- B. TACACS+
- C. LDAP
- D. RADIUS

Correct Answer: C

QUESTION 3

What are two valid selections within a Vulnerability Protection profile? (Choose two.)

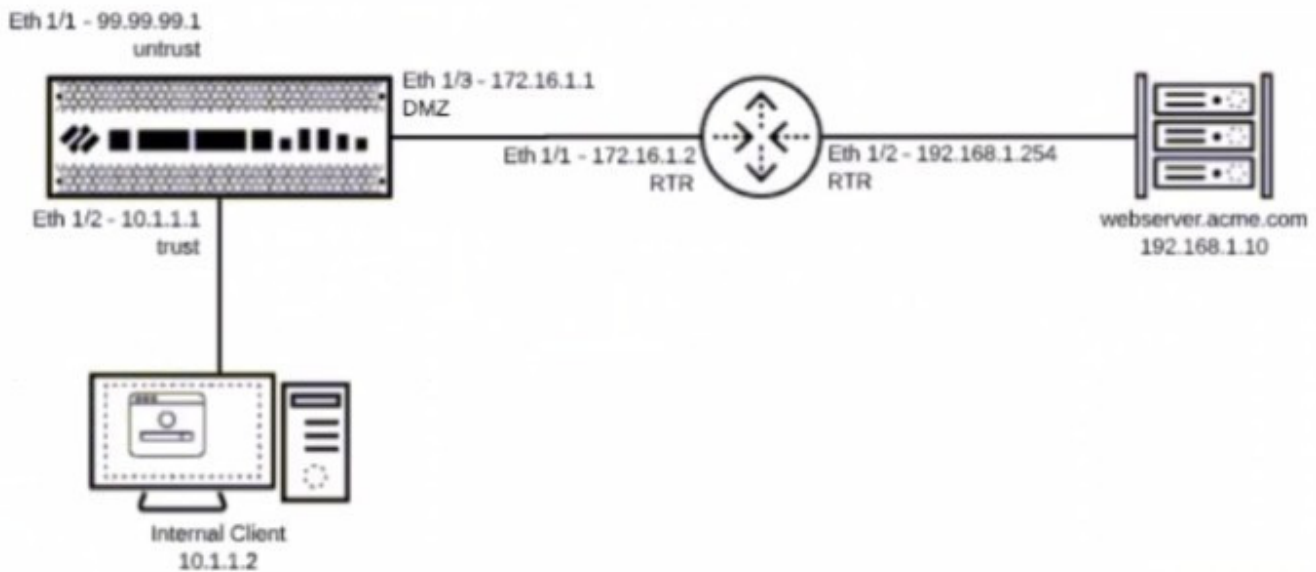
- A. deny
- B. drop
- C. default
- D. sinkhole

Correct Answer: BC

QUESTION 4

You have been tasked to configure access to a new web server located in the DMZ.

Based on the diagram what configuration changes are required in the NGFW virtual router to route traffic from the 10.1.0.0/24 network to 192.168.1.0/24?



- A. Add a route with the destination of 192.168.1.0/24 using interface Eth 1/3 with a next-hop of 192.168.1.10
- B. Add a route with the destination of 192.168.1.0/24 using interface Eth 1/2 with a next-hop of 172.16.1.2
- C. Add a route with the destination of 192.168.1.0/24 using interface Eth 1/3 with a next-hop of 172.16.1.2
- D. Add a route with the destination of 192.168.1.0/24 using interface Eth 1/3 with a next-hop of 192.168.1.254

Correct Answer: C

QUESTION 5

Which type of administrator account cannot be used to authenticate user traffic flowing through the firewall's data plane?

- A. Kerberos user
- B. SAML user
- C. local database user
- D. local user

Correct Answer: D

[Latest PCNSA Dumps](#)

[PCNSA PDF Dumps](#)

[PCNSA Exam Questions](#)