



OMG-OCUP2-INT200^{Q&As}

OMG Certified UML Professional 2 (OCUP 2) - Intermediate Level

Pass OMG OMG-OCUP2-INT200 Exam with 100% Guarantee

Free Download Real Questions & Answers **PDF** and **VCE** file from:

<https://www.pass4itsure.com/omg-ocup2-int200.html>

100% Passing Guarantee
100% Money Back Assurance

Following Questions and Answers are all new published by OMG
Official Exam Center

-  **Instant Download** After Purchase
-  **100% Money Back** Guarantee
-  **365 Days** Free Update
-  **800,000+** Satisfied Customers





QUESTION 1

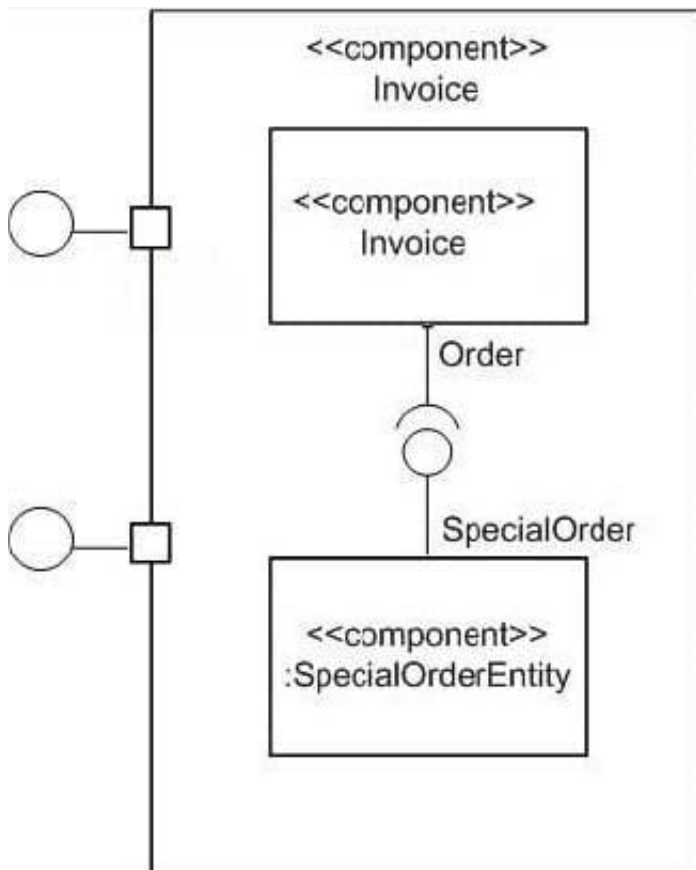
What characteristic does a Connectable Element possess?

- A. represents the end of a communication channel
- B. can be connected to other elements by connectors
- C. can have associations
- D. can own connectors

Correct Answer: B

QUESTION 2

Refer to the exhibit. Invoicer and Special Order Entity are each preceded by a colon symbol, because they name what type of component?



- A. parts of an instance level collaboration
- B. connection types
- C. delegation types

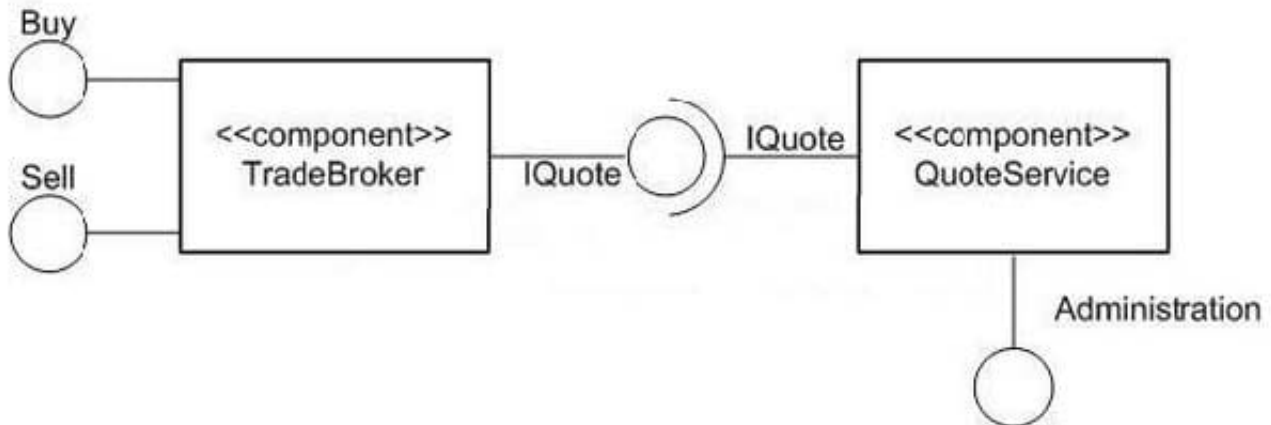


D. assembly connectors

Correct Answer: A

QUESTION 3

Refer to the exhibit. How many interfaces does the TradeBroker component make visible to its clients?



A. 0

B. 1

C. 2

D. 4

E. 3

Correct Answer: C

QUESTION 4

Which must be true in order to use a delegation connector to connect two components?

- A. The components must be related to each other via a dependency.
- B. One component must be part of the internal realization of the other component.
- C. The components must have complex ports.
- D. One component must be a subtype of the other.

Correct Answer: B

QUESTION 5



What is correct about a profile? (Choose two.)

- A. is applied to a package
- B. cannot be used without its reference model
- C. can dynamically change its reference metamodel
- D. is applied to a reference metamodel

Correct Answer: AB

[OMG-OCUP2-INT200 PDF Dumps](#)

[OMG-OCUP2-INT200 Study Guide](#)

[OMG-OCUP2-INT200 Braindumps](#)