



OMG-OCUP-100^{Q&As}

OMG-Certified UML Professional Fundamental Exam

Pass OMG OMG-OCUP-100 Exam with 100% Guarantee

Free Download Real Questions & Answers **PDF** and **VCE** file from:

<https://www.pass4itsure.com/omg-ocup-100.html>

100% Passing Guarantee
100% Money Back Assurance

Following Questions and Answers are all new published by OMG
Official Exam Center

-  **Instant Download** After Purchase
-  **100% Money Back** Guarantee
-  **365 Days** Free Update
-  **800,000+** Satisfied Customers





QUESTION 1

What are the primary purposes of packages in UML 2.0? (Choose two)

- A. to group classes
- B. to provide a namespace
- C. to group features for a class
- D. to group modeling elements
- E. to avoid the constraints of a namespace

Correct Answer: BD

QUESTION 2

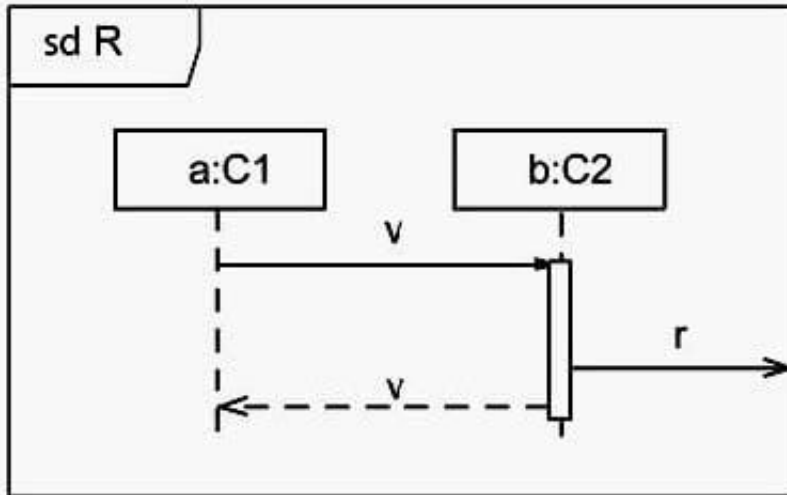
What receives output values of a behavior on a decision node?

- A. actions
- B. guards
- C. input pins
- D. entry states
- E. input parameter nodes

Correct Answer: B

QUESTION 3

In the exhibit, where is the execution occurrence in the sequence diagram named R?

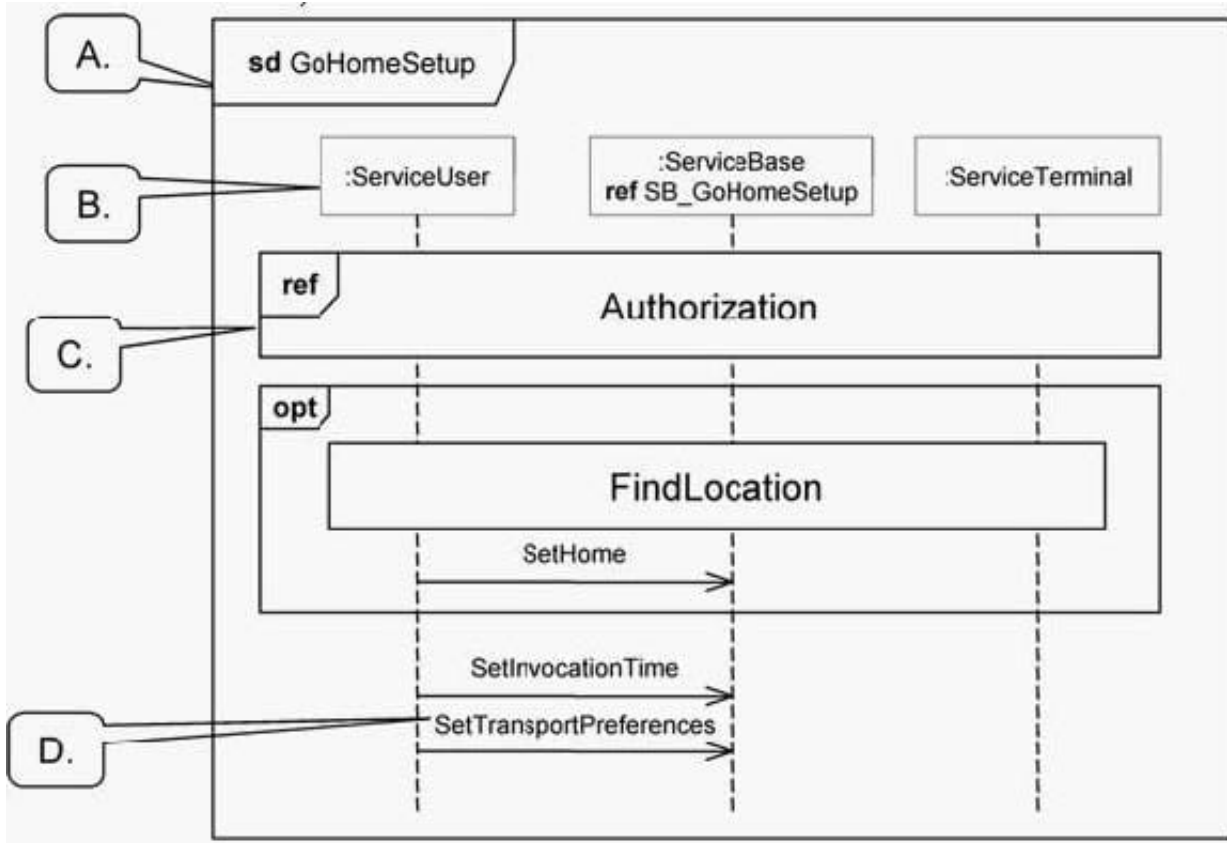


- A. lifeline a
- B. lifeline b
- C. message denoted by r
- D. lifeline b in thin vertical rectangle
- E. message with identifier v (dashed line)
- F. at the arrowhead of the dashed message on lifeline a

Correct Answer: D

QUESTION 4

In the exhibit, what is an interaction?



A. Option A

B. Option B

C. Option C

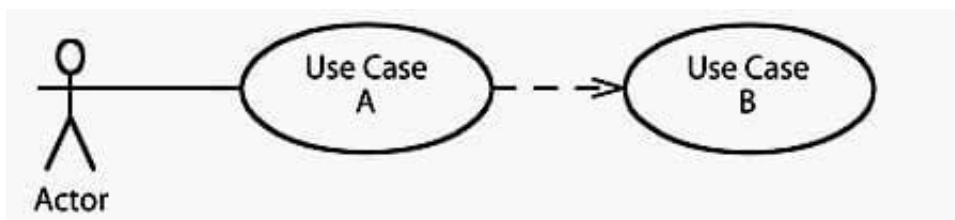
D. Option D

Correct Answer: A

QUESTION 5

In the exhibit, which best describes the relationship between the two use cases:

Use Case A and Use Case B?



A. Use Case A extends Use Case B.

B. Use Case A includes Use Case B.



- C. Use Case A generalizes Use Case B.
- D. Use Case B extends Use Case A.
- E. Use Case B includes Use Case A.
- F. Use Case B generalizes Use Case A.

Correct Answer: B

[OMG-OCUP-100 VCE Dumps](#)

[OMG-OCUP-100 Practice Test](#)

[OMG-OCUP-100 Braindumps](#)