



# OMG-OCUP-100<sup>Q&As</sup>

OMG-Certified UML Professional Fundamental Exam

**Pass OMG OMG-OCUP-100 Exam with 100% Guarantee**

Free Download Real Questions & Answers **PDF** and **VCE** file from:

<https://www.pass4itsure.com/omg-ocup-100.html>

100% Passing Guarantee  
100% Money Back Assurance

Following Questions and Answers are all new published by OMG  
Official Exam Center

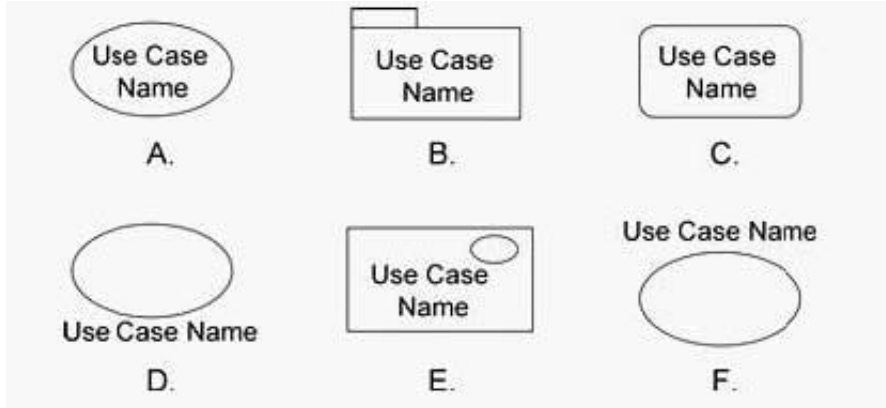
-  **Instant Download** After Purchase
-  **100% Money Back** Guarantee
-  **365 Days** Free Update
-  **800,000+** Satisfied Customers





### QUESTION 1

What shapes normally represent a use case? (Choose three)



A. Option A

B. Option B

C. Option C

D. Option D

E. Option E

F. Option F

Correct Answer: ADE

### QUESTION 2

In UML, what is the behavior of an object caused by?

A. a call

B. a trigger

C. an event

D. an operation

E. an event type

Correct Answer: C

### QUESTION 3

What does a endency mean in a relationship between one element and another?

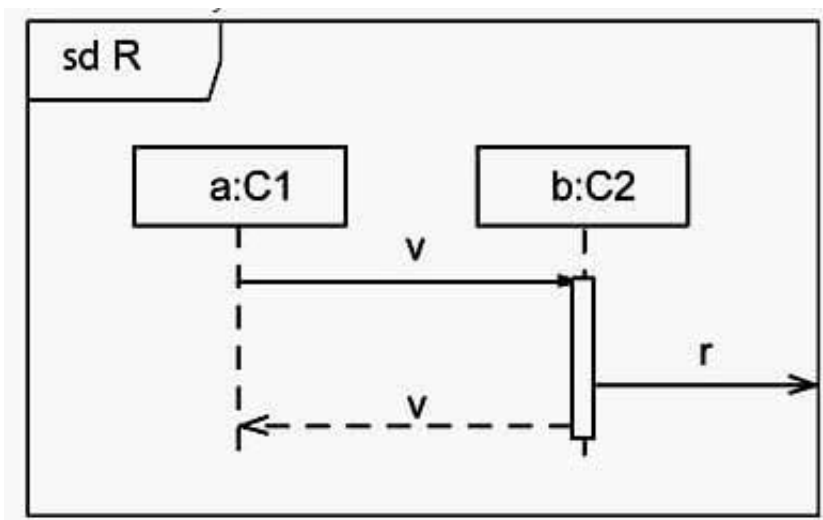


- A. specifies how it uses another element
- B. specifies how it realizes another element
- C. specifies how one element implements another element
- D. requires another element for its full implementation or operation

Correct Answer: D

#### QUESTION 4

What does the execution occurrence in the exhibit convey?



- A. the sending of r
- B. that the operation v is called
- C. the return of the reply from having performed the operation v
- D. the execution of the behavior associated with the operation v on b

Correct Answer: D

#### QUESTION 5

What receives output values of a behavior on a decision node?

- A. actions
- B. guards
- C. input pins
- D. entry states



E. input parameter nodes

Correct Answer: B

[OMG-OCUP-100 PDF Dumps](#)

[OMG-OCUP-100 VCE Dumps](#)

[OMG-OCUP-100 Practice Test](#)