



NSE8_810^{Q&As}

Fortinet Network Security Expert 8 Written Exam (810)

Pass Fortinet NSE8_810 Exam with 100% Guarantee

Free Download Real Questions & Answers **PDF** and **VCE** file from:

https://www.pass4itsure.com/nse8_810.html

100% Passing Guarantee
100% Money Back Assurance

Following Questions and Answers are all new published by Fortinet
Official Exam Center

-  **Instant Download** After Purchase
-  **100% Money Back** Guarantee
-  **365 Days** Free Update
-  **800,000+** Satisfied Customers





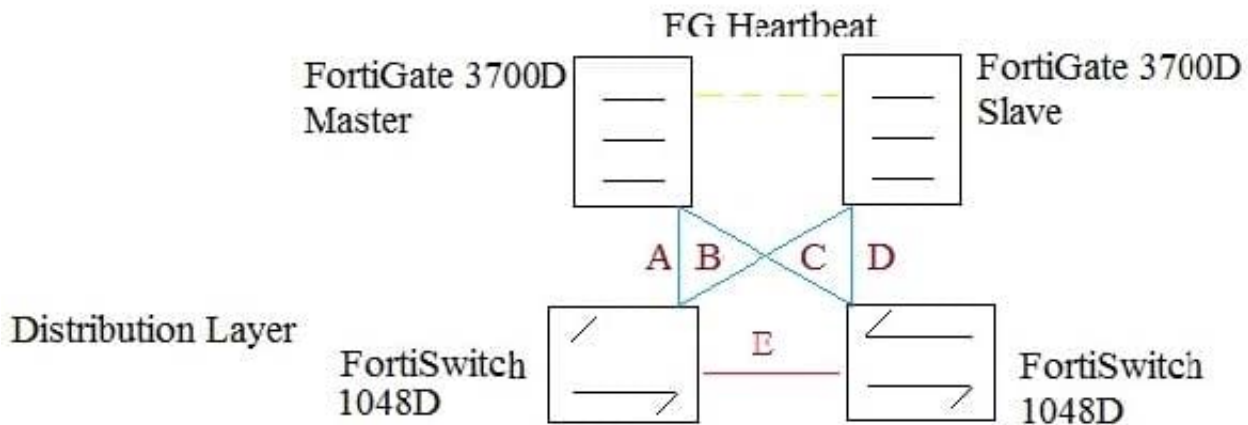
QUESTION 1

Click the Exhibit button.

The exhibit shows a full-mesh topology between FortiGates and FortiSwitches. To deploy this configuration, two requirements must be met:

- 20 Gbps full duplex connectivity is available between each FortiGate and the FortiSwitches
- The FortiGate HA must be in AP mode.

Security Layer



Referring to the exhibit, what are two actions that will fulfill the requirements? (Choose two.)

- A. Configure both FortiSwitch as peers with ICL over cable E, create one MCLAG on ports connected to cables A and C, and create another MCLAG on ports connected to cables B and D.
- B. Configure the master FortiGate with one and FortiLink split interface disable on ports connected to cables A and C and make sure the same ports are used for to cables B and D.
- C. Configure both FortiSwitches as peers ISL over cable on create one MCLAG on ports connected cables A and C, and ceate another MCLAG on ports connected to cables B and D.
- D. Configure the master FortiGate with one LAG and FortiLink split interface enables on ports connected to cable A and C make sure the ports are used for cables B and D on the slave.

Correct Answer: AC

QUESTION 2

CORRECT TEXT

In a FortiGate 5000 series, two FortiControllers are working as an SLBC cluster in a-p mode. The configuration shown



below is applied. config load-balance session-setup set tcp-ingress enable end When statement is true on how new TCP sessions are handled by the Distributor Processor (DP).

- A. The new session added the DP session table is automatically deleted, if the traffic is denied by the processing worker.
- B. No new session is added is the DP session table until the processing worker accepts the traffic.
- C. A new session added m the DP session table remains in the table remain in the traffic is denied by the procession worker.
- D. A new session added in the OP session table remains is the table only if traffic is traffic is accepted by the processing worker.

Correct Answer: C

QUESTION 3

You deploy a FortiGate device in a remote office based on the requirements shown below.

- Due to company\\'s security policy, management IP of your FortiGate is not allowed to access the Internet.
- Apply Web Filtering, Antivirus, IPS and Application control to the protected subnet. -- Be managed by a central FortiManager in the head office.

Which action will help to achieve the requirements?

- A. Configure a default route and make sure that the FortiGate device can pmg to service fortiguard net.
- B. Configure the FortiGuard override server and use the IP address of the FortiManager
- C. Configure the FortiGuard override server and use the IP address of service, fortiguard net.
- D. Configure FortiGate to use FortiGuard Filtering Port 8888.

Correct Answer: B

QUESTION 4

Click the Exhibit button.



Exhibit



```
FS448D-A (LAG-1) # show
config switch trunk
edit "LAG-1"
set mode lacp-active
set-mclag-icl enable
set members "port13" "port14"
next
end

FS448D-B (LAG-2) # show
config switch trunk
edit "LAG-2"
set mode lacp-active
set-mclag-icl enable
set members "port13" "port14"
next
end

FortiGate-A # show switch-controller managed-switch
config switch-controller managed-switch
edit FS448D-A
config ports
edit "LAG-3"
set type trunk
set mode lacp-active
set mclag enable
set members "port15"
next
end
next
edit FS448D-B
config ports
edit "LAG-3"
set type trunk
set mode lacp-active
set mclag enable
set members "port15"
next
end
next
end
```



Referring to the exhibit, which two statements are true? (Choose two.)

- A. port13 and port14 on FS448D-A should be connected to port13 and port14 on FS448D-B
- B. LAG-1 and LAG 2 should be connected to a single 4-port 802 3ad interface on the FortiGate-A.
- C. LAG-3 on switches on FS448D-A and FS448D-B may be connected to a single 802 3ad trunk on another device.
- D. LAG-1 and LAG-2 should be connected to a 4-port single 802 3ad trunk on another device.

Correct Answer: BC

QUESTION 5

Click the Exhibit button.

```
config system ha
set mode a-a
set group-id 1
set group-name main
set hb_dev port2 100
set session-pickup enable
end
```

You have configured an HA cluster with two FortiGates. You want to make sure that you are able to manage the individual cluster members directly using port3.

Referring to the exhibit, what are two ways to accomplish this task? (Choose two.)

- A. Disable the sync feature on port3: then configure specific IPs for ports on both cluster members.
- B. Configure port3 to be a dedicated HA management interface, then configure specific IPs for port3 on both cluster members.
- C. Create a management VDOM and Disable the HA synchronization for this VDOM, assign ports to this VDOM, then configure specific IPs for ports on both cluster member.
- D. Allow administrative access in the HA heartbeat interfaces.

Correct Answer: BC