



NSE8_810^{Q&As}

Fortinet Network Security Expert 8 Written Exam (810)

Pass Fortinet NSE8_810 Exam with 100% Guarantee

Free Download Real Questions & Answers **PDF** and **VCE** file from:

https://www.pass4itsure.com/nse8_810.html

100% Passing Guarantee
100% Money Back Assurance

Following Questions and Answers are all new published by Fortinet
Official Exam Center

-  **Instant Download** After Purchase
-  **100% Money Back** Guarantee
-  **365 Days** Free Update
-  **800,000+** Satisfied Customers





QUESTION 1

You deploy a FortiGate device in a remote office based on the requirements shown below.

- Due to company's security policy, management IP of your FortiGate is not allowed to access the Internet.
- Apply Web Filtering, Antivirus, IPS and Application control to the protected subnet.
- Be managed by a central FortiManager in the head office.

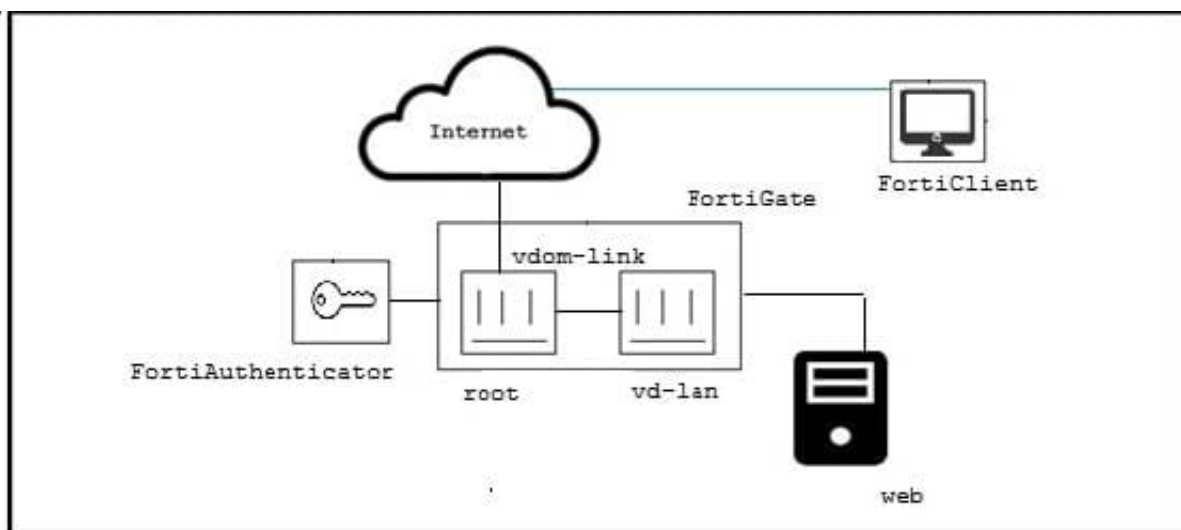
Which action will help to achieve the requirements?

- A. Configure a default route and make sure that the FortiGate device can ping to service fortiguard net.
- B. Configure the FortiGuard override server and use the IP address of the FortiManager
- C. Configure the FortiGuard override server and use the IP address of service, fortiguard net.
- D. Configure FortiGate to use FortiGuard Filtering Port 8888.

Correct Answer: B

QUESTION 2

The exhibit shows a topology where a FortiGate is two VDOMS, root and vd-lan. The root VDCM provides SSL-VPN access, where the users authenticated by a FortiAuthenticator. The vd-lan VDOM provides internal access to a Web server. For the remote users to access the internal web server, there are a few requirements, which are shown below.



- At traffic must come from the SSI-VPN
- The vd-lan VDOM only allows authenticated traffic to the Web server.
- Users must only authenticate once, using the SSL-VPN portal.



-- SSL-VPN uses RADIUS-based authentication.

referring to the exhibit, and the requirement describe above, which two statements are true?

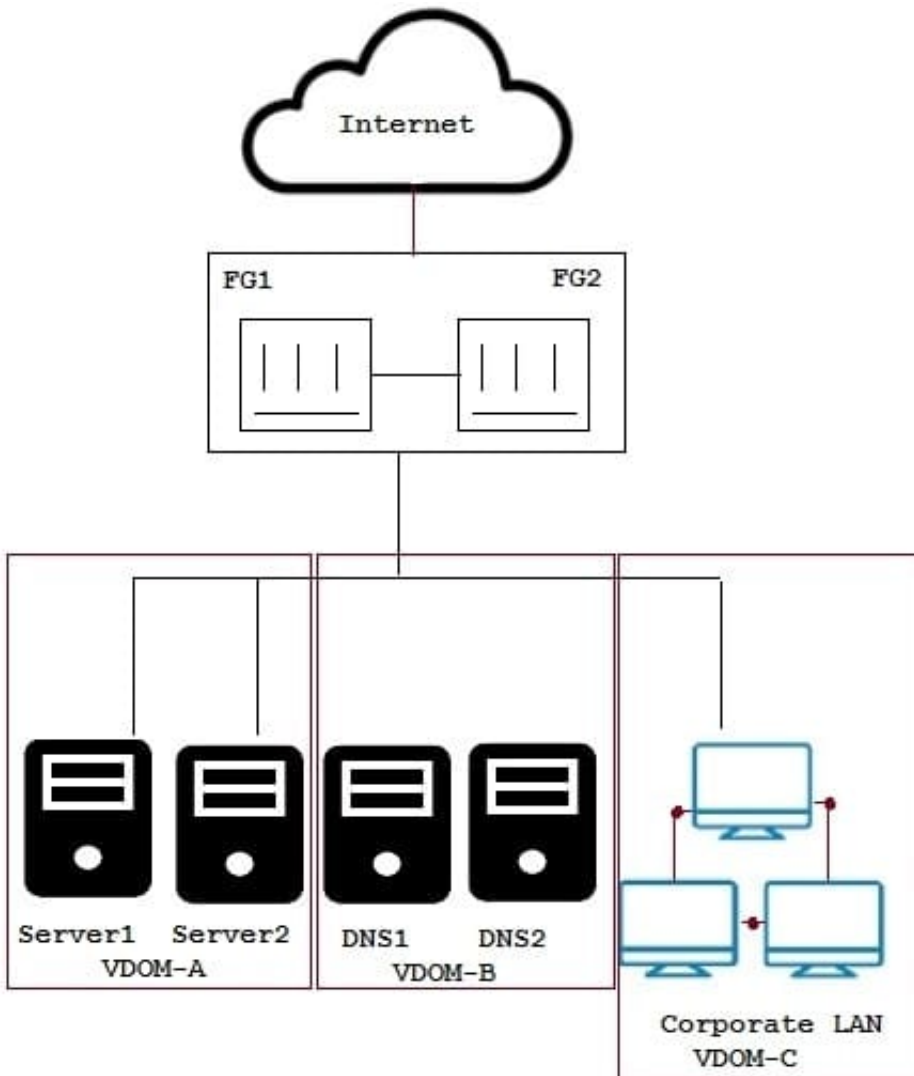
(Choose two.)

- A. vd-lan authentication messages from root using FSSO.
- B. vd-lan connects to Fort authenticator as a regular FSSO client.
- C. root is configured for FSSO while vd-lan is configuration for RSSO.
- D. root sends "RADIUS Accounting Messages" to FortiAuthenticator.

Correct Answer: BD

QUESTION 3

Click to the Exhibit button. You need to apply the security features below to the network shown in the exhibit. -high grade DDoS protection -Web security and load balancing for Server1 and Server2 -Solution must be PCI DSS compliant -Enhanced security to DNS 1 and DNS 2



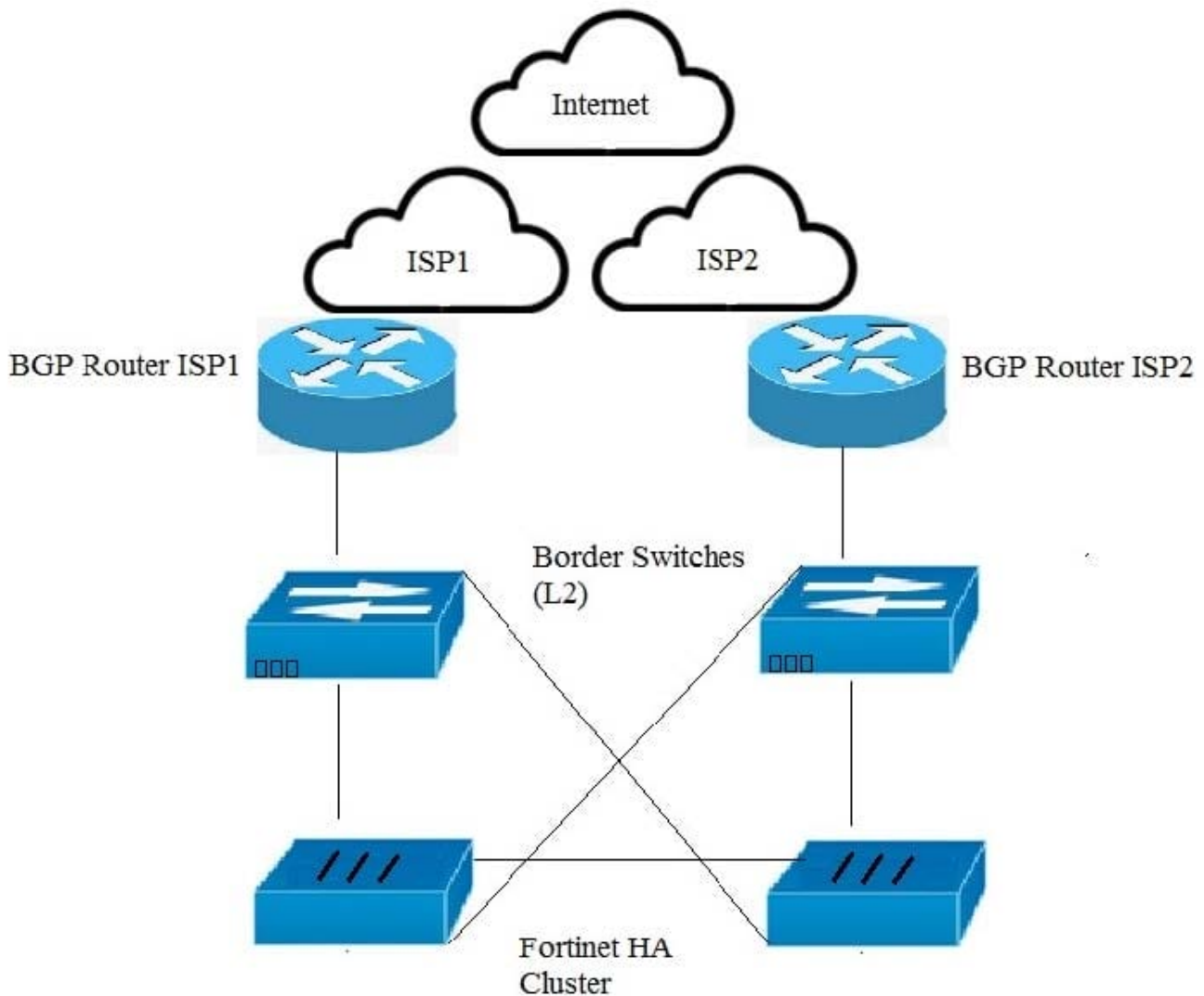
What are three solutions for this scenario? (Choose three.)

- A. FortiWeb for VDOM-A
- B. FortiDDoS between FG1 and FG2 and the Internet
- C. FortiADC for VDOM-A
- D. FortiADC for VDOM-B
- E. FortiDDoS between FG1 and FG2 and VDOMs

Correct Answer: CDE

QUESTION 4

Exhibit Your organization has a FortiGate cluster that is connected to two independent ISPs. You must configure the FortiGate failover for a single ISP failure to occur without disruption.



Referring to the exhibit, which two FortiGate BGP features would be used to accomplish this task? (Choose two.)

- A. Enable BFD
- B. Enable EBGP multipath
- C. Enable graceful restart
- D. Enable synchronization

Correct Answer: AC

QUESTION 5

Click the Exhibit button.

Referring to the exhibit, what will happen if FortiSandbox categorizes an e-mail attachment submitted by FortiMail as a high risk?



AntiVirus Profile

Domain:

Profile name:

Default action:

AntiVirus

<input checked="" type="radio"/> Malware/virus outbreak	Action: <input type="text" value="--Default--"/>	<input type="button" value="+ New"/>	<input type="button" value="Edit"/>
<input checked="" type="radio"/> Heuristic	Action: <input type="text" value="--Default--"/>	<input type="button" value="+ New"/>	<input type="button" value="Edit"/>
<input checked="" type="radio"/> File signature check	Action: <input type="text" value="--Default--"/>	<input type="button" value="+ New"/>	<input type="button" value="Edit"/>
<input type="radio"/> Grayware			

FortiSandbox

Scan mode:

Attachment analysis

URI analysis

Malicious/Virus	Action: <input type="text" value="--Default--"/>	<input type="button" value="+ New"/>	<input type="button" value="Edit"/>
High risk	Action: <input type="text" value="--Default--"/>	<input type="button" value="+ New"/>	<input type="button" value="Edit"/>
Medium risk	Action: <input type="text" value="--Default--"/>	<input type="button" value="+ New"/>	<input type="button" value="Edit"/>
Low risk	Action: <input type="text" value="--Default--"/>	<input type="button" value="+ New"/>	<input type="button" value="Edit"/>

- A. The high-risk file will be discarded by attachment analysis.
- B. The high-risk tile will go to the system quarantine.
- C. The high-risk file will be received by the recipient.
- D. The high-risk file will be discarded by malware/virus outbreak protection.

Correct Answer: B

[NSE8_810 PDF Dumps](#)

[NSE8_810 Study Guide](#)

[NSE8_810 Braindumps](#)