



NS0-183^{Q&As}

NetApp Certified Storage Installation Engineer, ONTAP

Pass NetApp NS0-183 Exam with 100% Guarantee

Free Download Real Questions & Answers **PDF** and **VCE** file from:

<https://www.pass4itsure.com/ns0-183.html>

100% Passing Guarantee
100% Money Back Assurance

Following Questions and Answers are all new published by NetApp
Official Exam Center

-  **Instant Download** After Purchase
-  **100% Money Back** Guarantee
-  **365 Days** Free Update
-  **800,000+** Satisfied Customers





QUESTION 1

After completing a technology refresh, you need to schedule a knowledge transfer with a customer. The customer asks you to address a number of topics during the meeting.

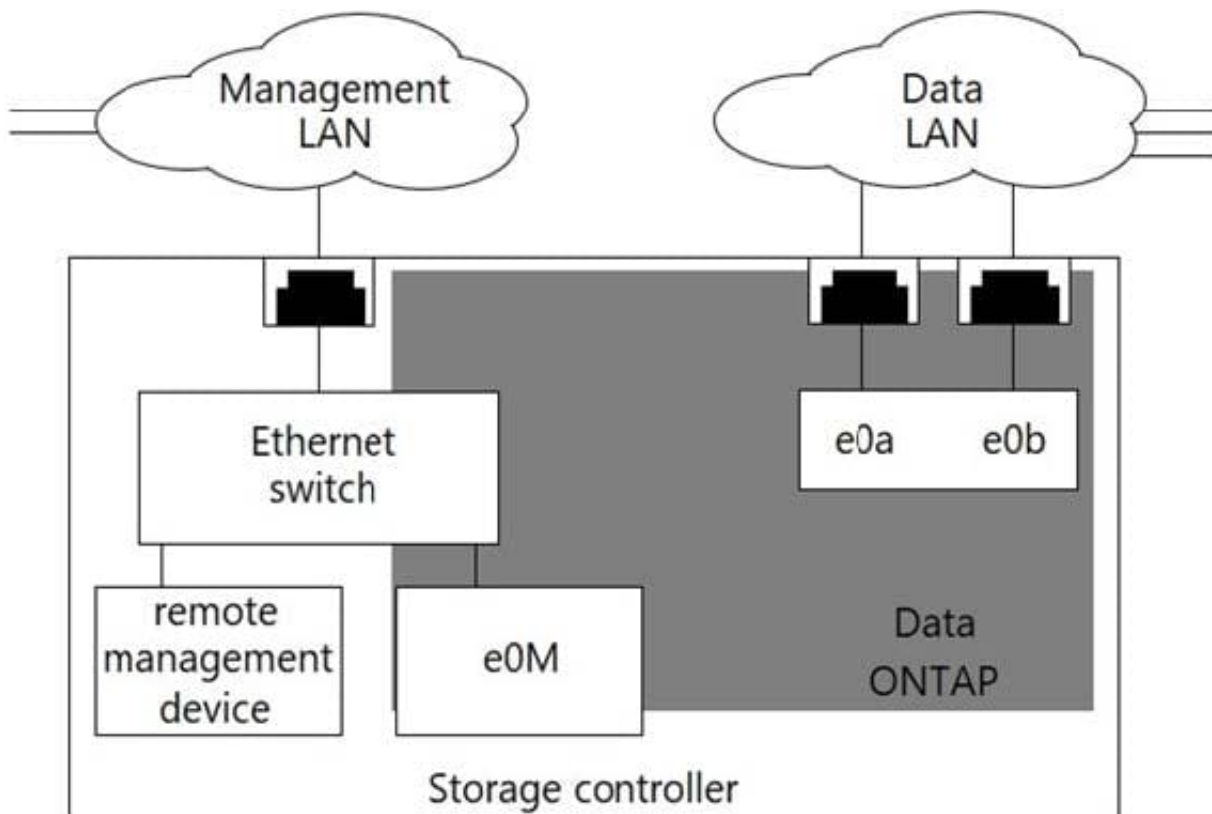
In this scenario, which two topics would be appropriate to address? (Choose two.)

- A. performing database application data migrations
- B. logging the customer support calls
- C. accessing internal NetApp KB articles
- D. registering for access to the NetApp Support site

Correct Answer: AD

QUESTION 2

Click the Exhibit button.



You are installing a new FAS cluster. The management network must be on tagged VLAN 11 for remote administration by a service provider.

Referring to the exhibit, which two ports will allow service provider access to both cluster and node management LIFs? (Choose two.)



- A. e0M
- B. e0b-11
- C. e0a-11
- D. e0M-11

Correct Answer: AD

QUESTION 3

Click the Exhibit button.

```
cluster1::> network device-discovery show
```

Node/ Protocol	Local Port	Discovered Device	Interface	Platform
node1/cdp	e4a	switchA-NX.netapp.com (SSI142311PD)	e1/1/1-4	N3K-C3132Q-V
	e8a	switchA-NX.netapp.com (SSI142311PD)	e1/2/1-4	N3K-C3132Q-V
node2/cdp	e4a	switchB-NX.netapp.com (SSI142311PE)	e1/1/1-4	N3K-C3132Q-V
	e8a	switchB-NX.netapp.com (SSI142311PE)	e1/2/1-4	N3K-C3132Q-V

You are reviewing the setup of a recently installed FAS9000 switched cluster. As shown in the exhibit, the cluster interconnects are connected to a pair of Cisco Nexus 3132Q-V 40 Gb ports.

For a high availability, which ports should swap Ethernet cables?

- A. Swap node1:e8a and node2:e4a.
- B. Swap node1:e4a and node1:e8a.
- C. Swap node2:e4a and node2:e8a.
- D. Swap node1:e4a and node2:e4b.

Correct Answer: C

QUESTION 4

An ONTAP cluster is installed at a secure site. The array has no access to the Internet but is managed 24/7 by onsite engineers. The customer requires that when hardware failures occur, the failures are reported to the NetApp Support team as quickly as possible.

In this scenario, which two tasks should be performed during the project hand-off procedure to satisfy the customer's



requirement? (Choose two.)

- A. Ensure that Active IQ Config Advisor is installed.
- B. Ensure that the onsite engineers receive EMS alerts when hardware issues occur.
- C. Educate the onsite engineers about invoking the AutoSupport tool from ONTAP System Manager.
- D. Educate the onsite engineer about how to manually log support calls.

Correct Answer: BC

QUESTION 5

You installed a new pair of Cisco 92300YC cluster switches at a customer's site. Before you install any files on the switch, you want to view the current configuration.

In this scenario, which command would you use to accomplish this task?

- A. switchcfgshow
- B. fabricshow
- C. config show
- D. show running-config

Correct Answer: A

[NS0-183 PDF Dumps](#)

[NS0-183 VCE Dumps](#)

[NS0-183 Study Guide](#)