



JN0-692^{Q&As}

Service Provider Routing and Switching Support, Professional

Pass Juniper JN0-692 Exam with 100% Guarantee

Free Download Real Questions & Answers **PDF** and **VCE** file from:

<https://www.pass4itsure.com/jn0-692.html>

100% Passing Guarantee
100% Money Back Assurance

Following Questions and Answers are all new published by Juniper
Official Exam Center

-  **Instant Download** After Purchase
-  **100% Money Back** Guarantee
-  **365 Days** Free Update
-  **800,000+** Satisfied Customers



**QUESTION 1**

Click the Exhibit button.

```
[edit]
jorg@pel# show routing-instances mcast-pe-vrf
instance-type vrf;
interface ge-1/0/9.101;
interface lo0.1;
provider-tunnel {
  rsvp-te {
    label-switched-path template {
      mvpn-example;
    }
  }
}
protocols {
..
  pim {
    rp {
      local {
        address 192.168.13.3;
      }
    }
    interfaces all {
      mode sparse;
    }
  }
  mvpn {
    mvpn-mode {
      spt-only;
    }
  }
..
```

A customer has the configuration shown in the exhibit applied to the VRF C-PIM domain. What can you determine from this configuration?

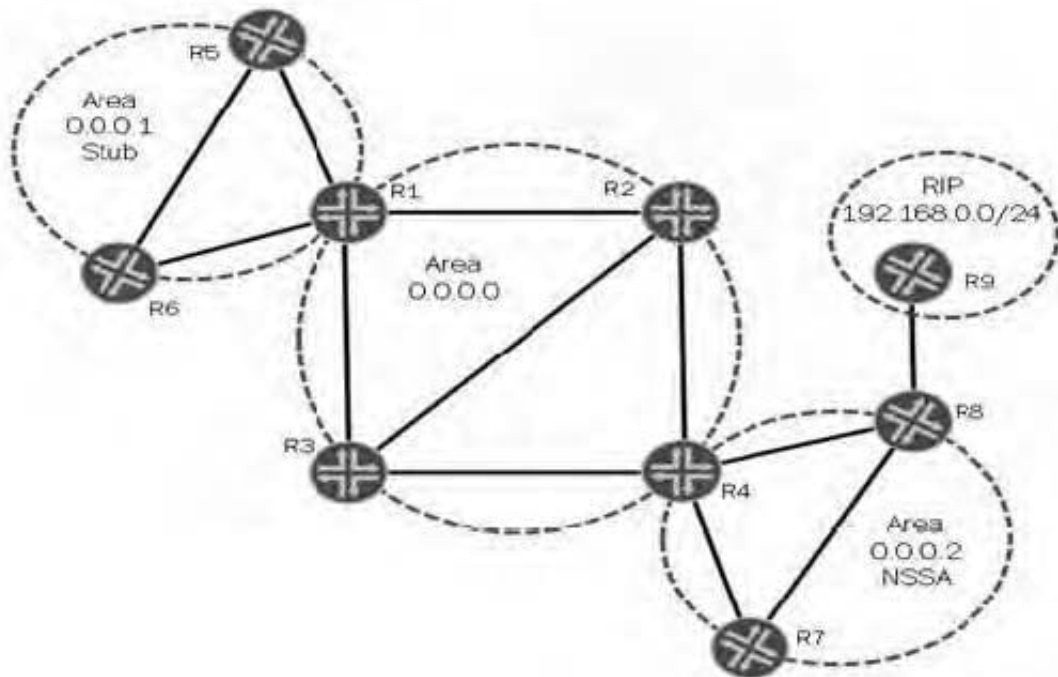
- A. The PE is configured for selective PMSI (S-PMSI) only.
- B. The C-RP is collocated on one of the PEs in the MVPN.
- C. The MVPN is not working because the receiver-site command is missing.
- D. Multicast traffic will not switch to the S-PMSI because the vpn-group-address command (data MDT) is missing.

Correct Answer: B

QUESTION 2



Click the Exhibit button.



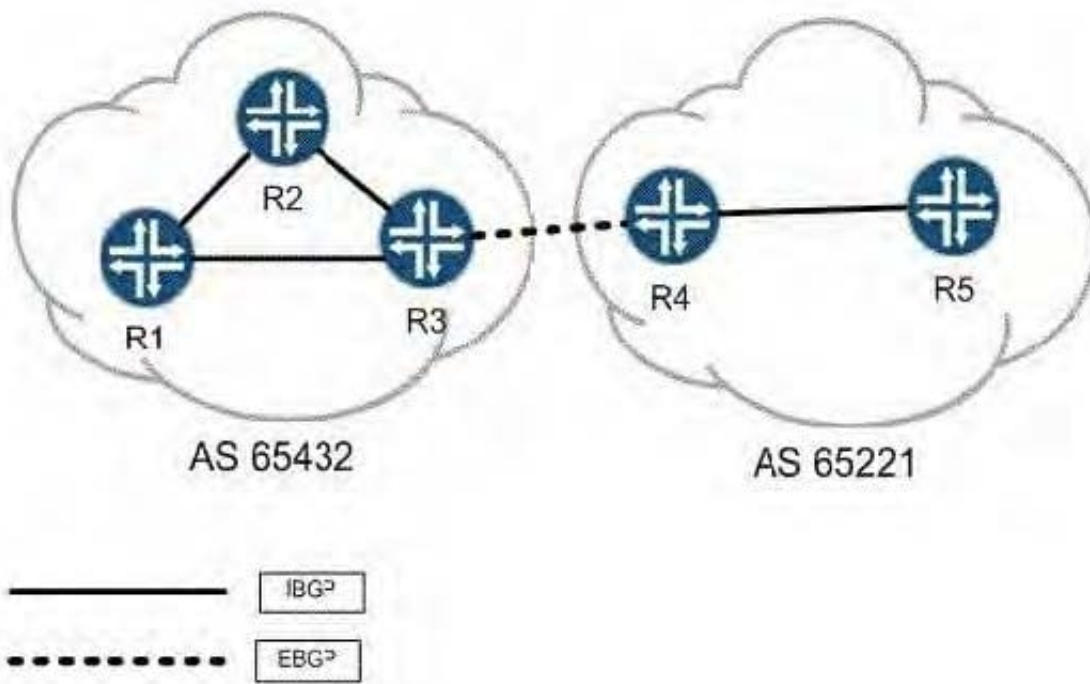
In the exhibit, the RIP network 192.168.0.0/24 is redistributed into OSPF on R8. Which two statements are true? (Choose two.)

- A. R4 receives the RIP network in a Type 7 LSA from R8.
- B. R7 receives the RIP network in a Type 5 LSA from R4.
- C. R2 receives the RIP network in a Type 7 LSA from R4.
- D. R3 receives the RIP network in a Type 5 LSA from R4.

Correct Answer: AD

QUESTION 3

Click the Exhibit button.



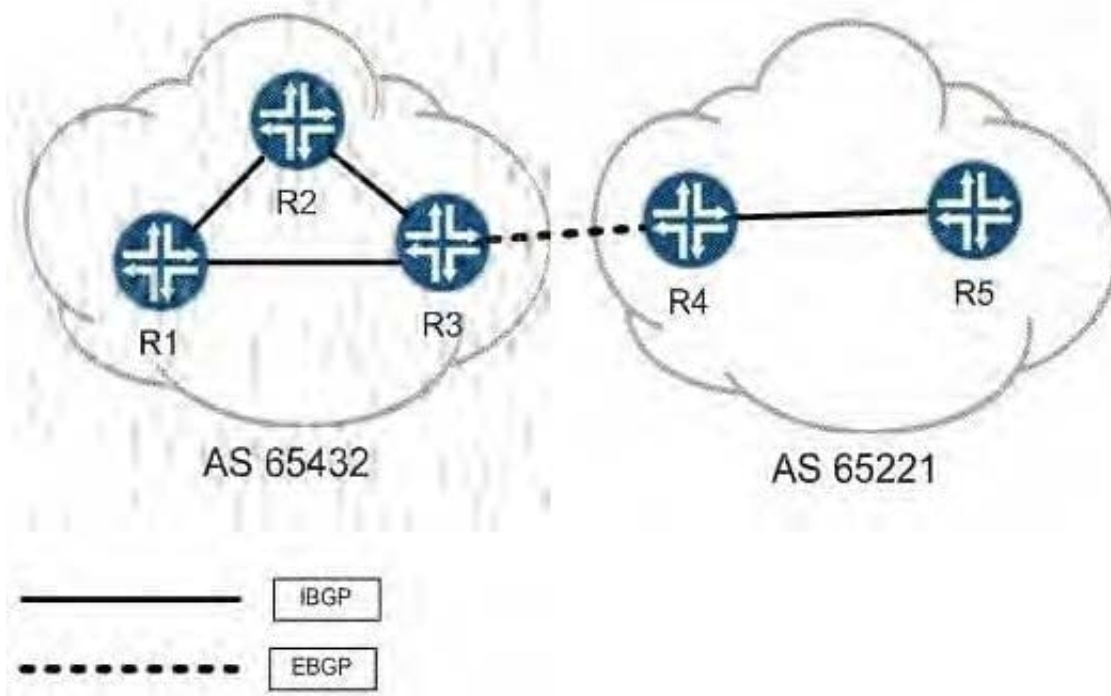
R3 and R4 want to establish an EBGP session between each other's loopback addresses. Static routes have been configured for the loopback addresses and you can ping from loopback to loopback. Their EBGP sessions are configured with multihop to allow for additional hops. The correct AS numbers have been specified at the [routing-options] hierarchy as well. Considering the topology in the exhibit, which statement is true?

- A. BGP's protocol preference must be adjusted to be lower than protocol static for the session to establish.
- B. Each peer must configure a local-address of their own loopback for the session to establish.
- C. Each peer must specify a local-as within their EBGP configuration for the session to establish.
- D. Each peer must configure multipath for the session to establish.

Correct Answer: B

QUESTION 4

Click the Exhibit button.



R3 is announcing a route to R4 using EBGP, as shown in the exhibit. All routers in AS 65221 should learn this route, but it should not be announced to any other AS. What can be done to enforce this behavior?

- A. R3 should add the community no-export to the route prior to announcing it.
- B. R3 should add the community no-advertise to the route prior to announcing it.
- C. R4 should add the community no-announce after receiving the route.
- D. R4 should add the community no-advertise after receiving the route.

Correct Answer: A

QUESTION 5

You have recently implemented a new Layer 2 VPN and it is not establishing. The show l2vpn connections command displays an out-of-range state.

What is causing this problem?

- A. The local site ID value is too high for the label block.
- B. The VRF target community values do not match between sites.
- C. The VRF route distinguisher values do not match between sites.
- D. The local site ID is not defined.

Correct Answer: A



VCE & PDF

Pass4itSure.com

<https://www.pass4itsure.com/jn0-692.html>

2024 Latest pass4itsure JN0-692 PDF and VCE dumps Download

[Latest JN0-692 Dumps](#)

[JN0-692 PDF Dumps](#)

[JN0-692 Braindumps](#)