



# JN0-682<sup>Q&As</sup>

Data Center Professional (JNCIP-DC)

## Pass Juniper JN0-682 Exam with 100% Guarantee

Free Download Real Questions & Answers **PDF** and **VCE** file from:

<https://www.pass4itsure.com/jn0-682.html>

100% Passing Guarantee  
100% Money Back Assurance

Following Questions and Answers are all new published by Juniper  
Official Exam Center

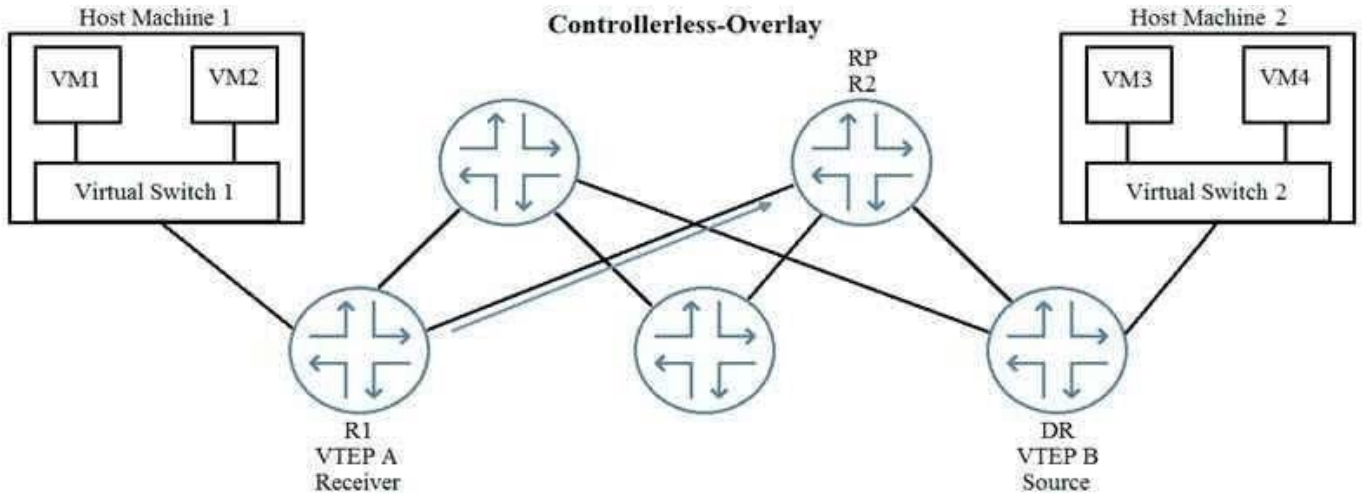
-  **Instant Download** After Purchase
-  **100% Money Back** Guarantee
-  **365 Days** Free Update
-  **800,000+** Satisfied Customers





### QUESTION 1

In the exhibit, VM1 is part of the same VXLAN segment as VM3.



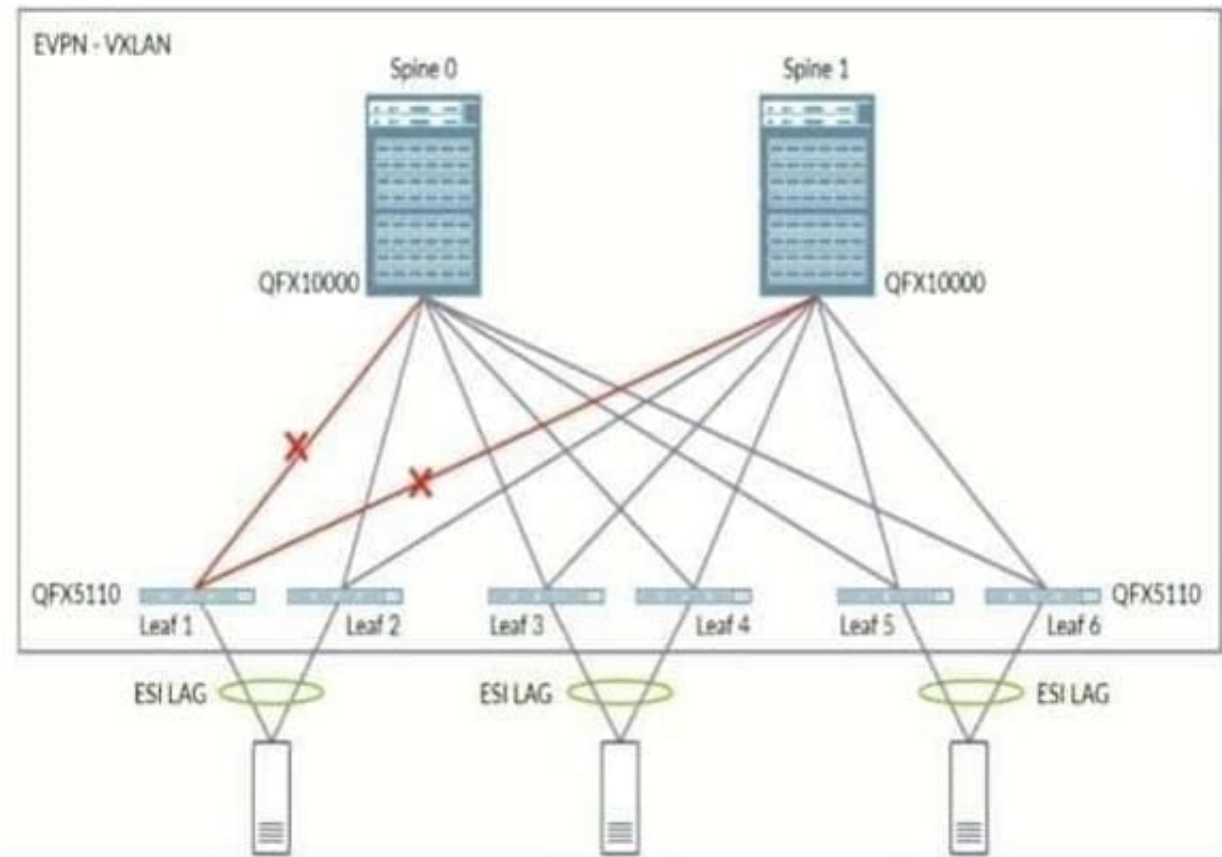
Which type of message will R1 initially send to R2 so that VM1 receives BUM traffic from VM3?

- A. PIM Join
- B. PIM Register message
- C. IGMP Join (S, G)
- D. IGMP Join (\*.G)

Correct Answer: A

### QUESTION 2

Referring to the exhibit,



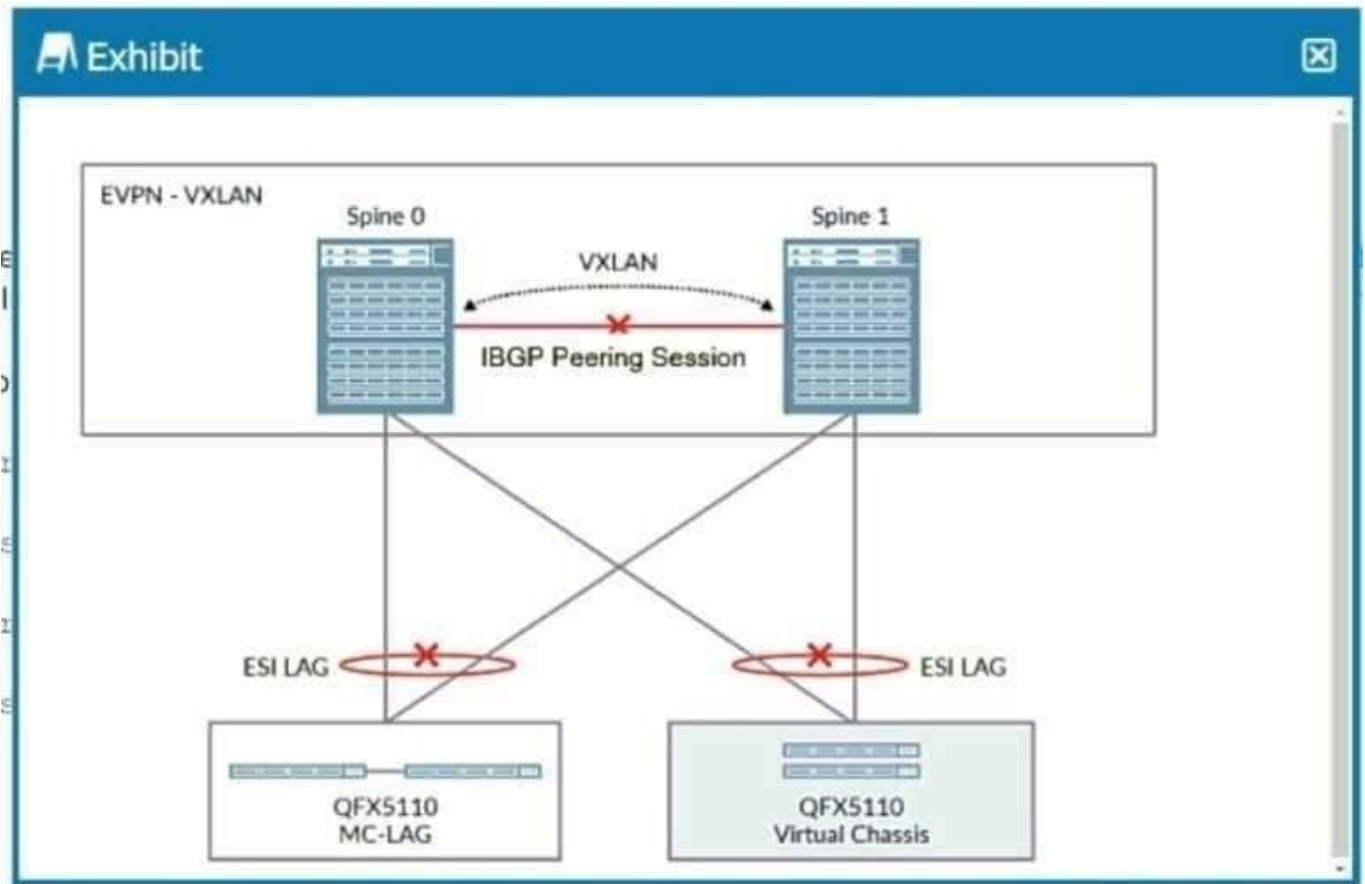
what effect does EVPN core isolation have?

- A. Leaf 1 will send a pause frame to each connected host.
- B. Leaf 1 will place the interfaces to connected hosts into LACP passive mode.
- C. Leaf 1 will take down all revenue interfaces.
- D. Spine 1 will block all traffic.

Correct Answer: C

### QUESTION 3

Referring to the exhibit, you have a data center in which only the spine devices are using EVPN and VXLAN. The leaf nodes are multihomed in active-active mode to the spine nodes through ESI LAG interfaces. In this design, a link failure on the interface connecting the spine nodes would also cause all traffic from the spine to the leaf nodes to drop.



In this scenario, which command configured on which nodes would solve this problem?

- A. the disable protocols evpn no-core-isolation command on the spine nodes
- B. the set protocols evpn no-core-isolation command on the spine nodes
- C. the disable protocols evpn no-core-isolation command on the leaf nodes
- D. the set protocols evpn no-core-isolation command on the leaf nodes

Correct Answer: A

#### QUESTION 4

You are designing a network for a small data center. In this scenario, which underlay protocol allows for the simplest implementation?

- A. EBGp
- B. OSPF
- C. IGMP
- D. MPLS

Correct Answer: B



### QUESTION 5

Referring to the exhibit, which statement is correct?

```
Exhibit

(master:0)
user@leaf1> show mac-vrf forwarding interface vtep.32769
Routing Instance Name : mac-vrf310410-vlan-aware
Logical Interface flags (DL - disable learning, AD - packet action drop,
                        LH - MAC limit hit, DH - interface down,
                        MMAS - Mac-move action shutdown, AS - Autostate-exclude enabled,
                        SCTL - shutdown by Storm-control, MI - MAC+IP limit hit)

Logical      Vlan      TAG  MAC  MAC+IP  STP      Logical      Tagging
interface    members
vtep.32769
             v410      410  0    0       Forwarding  tagged
             v310      310  0    0       Forwarding  tagged
```

- A. Leaf1 has not learned any MAC addresses
- B. Leaf3 is the remote tunnel endpoint.
- C. One tunnel is servicing multiple VLANs
- D. Spanning Tree Protocol is disabled

Correct Answer: C