



JN0-681^{Q&As}

New Data Center, Professional

Pass Juniper JN0-681 Exam with 100% Guarantee

Free Download Real Questions & Answers **PDF** and **VCE** file from:

<https://www.pass4itsure.com/jn0-681.html>

100% Passing Guarantee
100% Money Back Assurance

Following Questions and Answers are all new published by Juniper
Official Exam Center

-  **Instant Download** After Purchase
-  **100% Money Back** Guarantee
-  **365 Days** Free Update
-  **800,000+** Satisfied Customers



**QUESTION 1**

A VXLAN adds 50 to 54 bytes of extra header information to an Ethernet frame. In this scenario, how would you accommodate this increase?

- A. Decrease the number VXLANs used.
- B. Increase the MTU on the physical interface connected to the VXLAN network.
- C. Only use switches as VTEPs.
- D. Increase the MTU on the VTEP interface connected to the VXLAN network.

Correct Answer: B

QUESTION 2

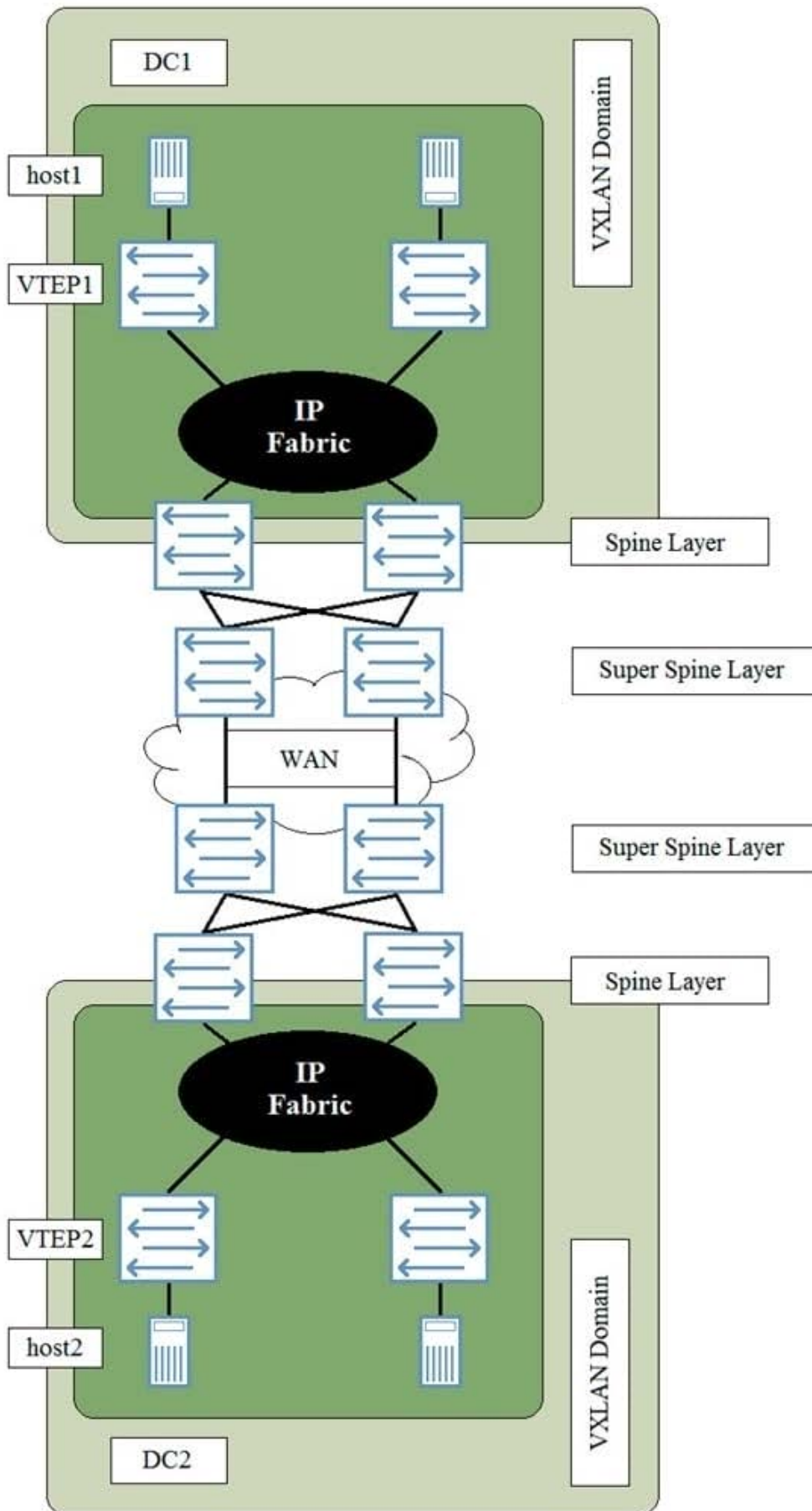
Which two statements are true about Virtual Chassis? (Choose two.)

- A. The request virtual-chassis mode fabric reboot command will set the Virtual Chassis to fabric mode with similar devices.
- B. The request virtual-chassis mode fabric reboot command will set the Virtual Chassis to mixed mode.
- C. By default, Junos switches are in a non-mixed mode Virtual Chassis.
- D. By default, Junos switches are in mixed mode Virtual Chassis.

Correct Answer: BC

QUESTION 3

You have deployed two data centers that require a Layer 2 stretch between host1 and host2.





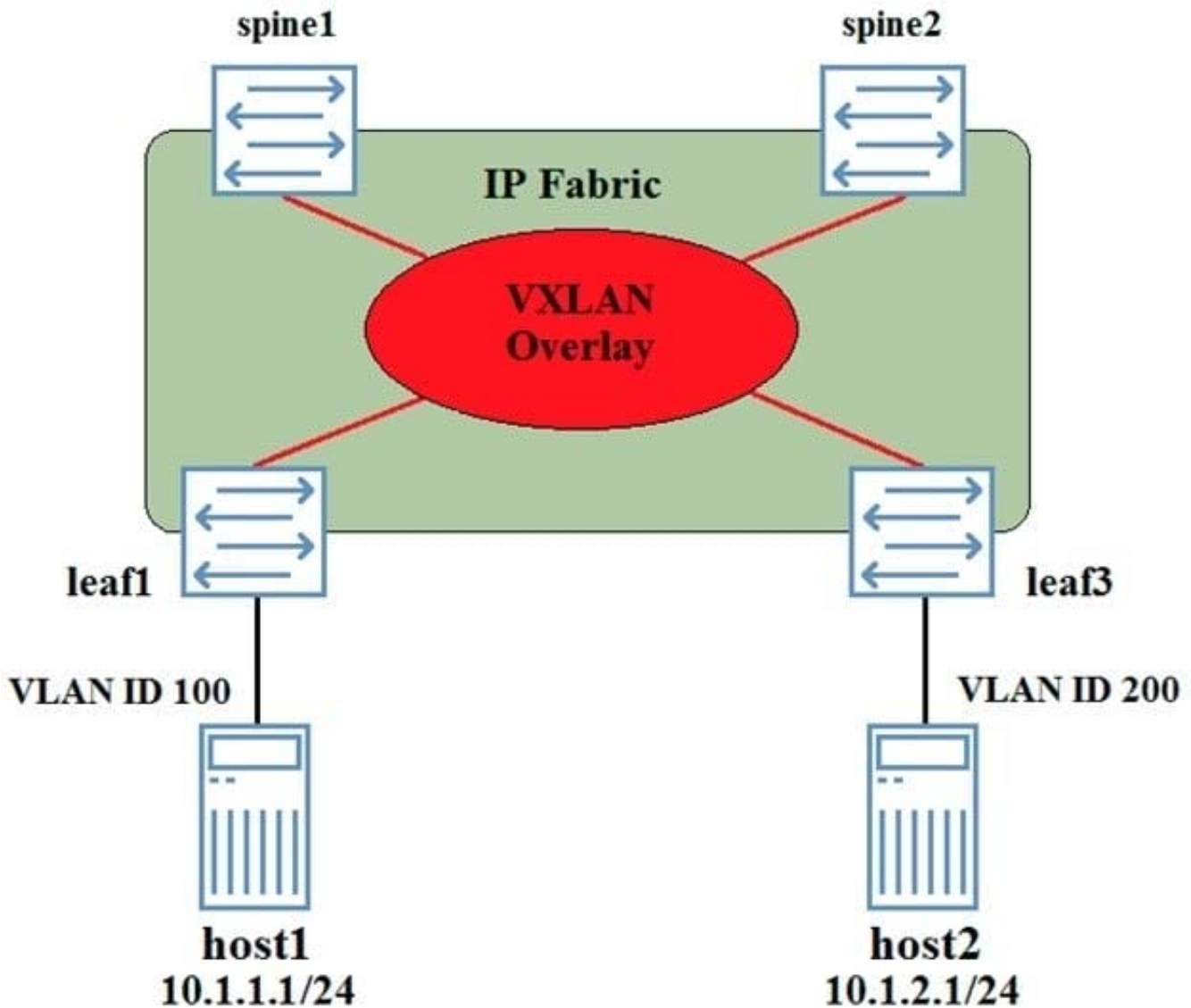
Referring to the exhibit, what does a Layer 2 stretch require?

- A. a VXLAN tunnel originating on the Super Spine Layer in DC1 to the Super Spine Layer in DC2.
- B. a VXLAN tunnel originating on VTEP1 to VTEP2.
- C. a VXLAN tunnel originating on the Spine Layer in DC1 to the Spine Layer in DC2.
- D. a VPLS WAN connection between data centers.

Correct Answer: B

QUESTION 4

You have deployed a VXLAN as shown in the exhibit Leaf1, leaf3, spine1, and spine2 have been configured as VTEPs. Host1 cannot communicate with host2.



Referring to the exhibit, how would you solve this problem?



- A. The VLAN ID on the link connected to host2 must be changed to VLAN 100.
- B. A DCI connection must be created between the VLANs.
- C. A Layer 3 VXLAN gateway must be configured on at least one of the devices.
- D. Host1 and host2 must be placed in the same VRF.

Correct Answer: C

QUESTION 5

You are creating a new EVPN and are asked to selectively accept certain MAC advertisement routes from your EVPN peers using VXLAN encapsulation.

Which statement is correct in this scenario?

- A. You can use MAC filtering to filter out unwanted routes.
- B. You can use VRF import policies and route distinguisher values to filter out unwanted routes.
- C. You can use VRF import policies and community values to filter out unwanted routes.
- D. You can use firewall filters to filter out unwanted routes.

Correct Answer: C

[Latest JN0-681 Dumps](#)

[JN0-681 Study Guide](#)

[JN0-681 Exam Questions](#)