



# JN0-681<sup>Q&As</sup>

New Data Center, Professional

## Pass Juniper JN0-681 Exam with 100% Guarantee

Free Download Real Questions & Answers **PDF** and **VCE** file from:

<https://www.pass4itsure.com/jn0-681.html>

100% Passing Guarantee  
100% Money Back Assurance

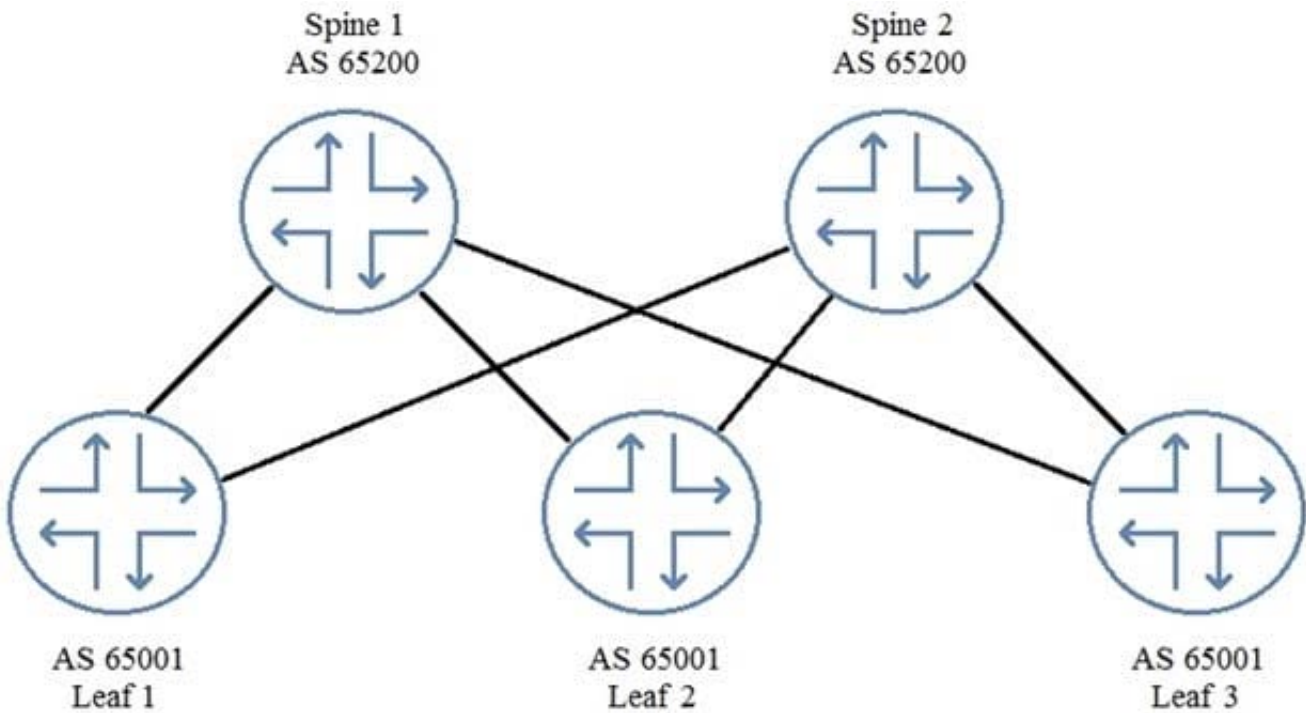
Following Questions and Answers are all new published by Juniper  
Official Exam Center

-  **Instant Download** After Purchase
-  **100% Money Back** Guarantee
-  **365 Days** Free Update
-  **800,000+** Satisfied Customers



**QUESTION 1**

Referring to the exhibit, not all routes are being exchanged by EBGP peers.



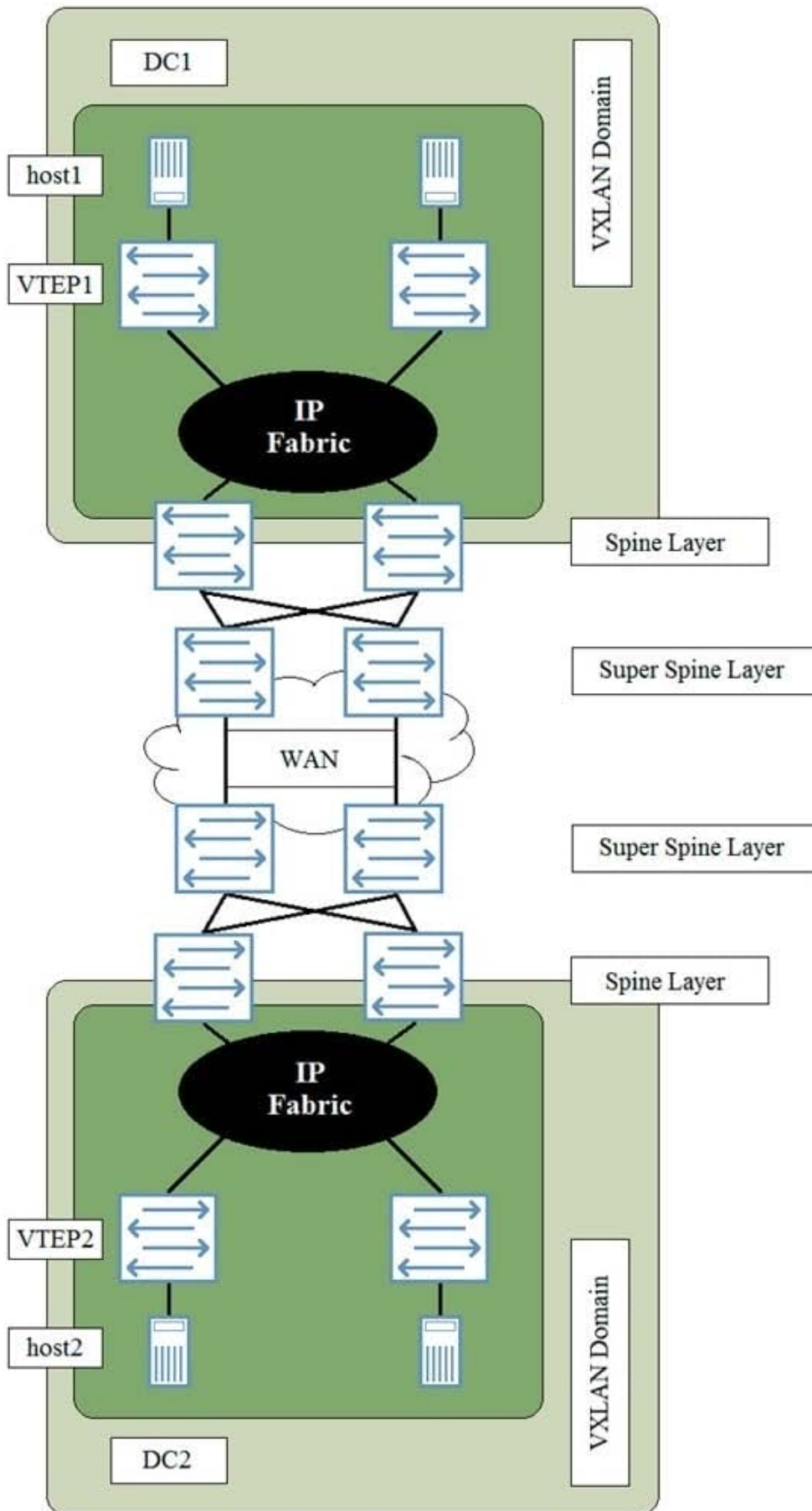
In this scenario, which BGP parameter would solve this problem?

- A. multihop
- B. multipath
- C. multipath multiple-as
- D. as-override

Correct Answer: D

**QUESTION 2**

You have deployed two data centers that require a Layer 2 stretch between host1 and host2.





Referring to the exhibit, what does a Layer 2 stretch require?

- A. a VXLAN tunnel originating on the Super Spine Layer in DC1 to the Super Spine Layer in DC2.
- B. a VXLAN tunnel originating on VTEP1 to VTEP2.
- C. a VXLAN tunnel originating on the Spine Layer in DC1 to the Spine Layer in DC2.
- D. a VPLS WAN connection between data centers.

Correct Answer: B

---

### QUESTION 3

You are configuring an IP Fabric in your data center and you are trying to load-balance traffic across multiple equal-cost BGP routes. You have enabled multipath, but the traffic is not being load-balanced.



```
user@switch> show route 10.1.2.0/24

inet.0: 11 destinations, 13 routes (11 active,
holddown, 0 hidden)
+ = Active Route, - = Last Active, * = Both

10.1.2.0/24          *[BGP/170] 01:21:05,
localpref 100
                    AS path: 64516 I,
validation-state: unverified
                    to 172.16.3.1 via ge-
0/0/1.0
                    > to 172.16.5.1 via ge-
0/0/2.0
                    [BGP/170] 01:09:08,
localpref 100
                    AS path: 64515 I,
validation-state: unverified
                    > to 172.16.3.1 via ge-
0/0/1.0

user@switch> show route forwarding-table
destination 10.1.2.0/24
Routing table: default.inet
Internet:
Destination          Type RtRef Next hop
                    Type Index  NhRef Netif
10.1.2.0/24          user   0 172.16.5.1
                    ucst   574  4 ge-0/0/2.0
...

user@switch> show configuration policy-options
policy-statement load-balance {
    term lb {
        then {
            load-balance per-packet;
            accept;
        }
    }
}
```



Referring to the exhibit, what will solve this problem?

- A. You should apply the load-balance policy as an import policy to the forwarding table.
- B. You should apply the load-balance policy as an import policy for the BGP neighbor.
- C. You should apply the load-balance policy as an export policy to the forwarding table.
- D. You should apply the load-balance policy as an export policy to the BGP neighbor.

Correct Answer: C

---

#### QUESTION 4

Which two statements are true about Virtual Chassis? (Choose two.)

- A. The request virtual-chassis mode fabric reboot command will set the Virtual Chassis to fabric mode with similar devices.
- B. The request virtual-chassis mode fabric reboot command will set the Virtual Chassis to mixed mode.
- C. By default, Junos switches are in a non-mixed mode Virtual Chassis.
- D. By default, Junos switches are in mixed mode Virtual Chassis.

Correct Answer: BC

---

#### QUESTION 5

You are asked to manage the oversubscription ratio of your spine and leaf IP fabric. You determine that you are at a 3:1 ratio of downstream to upstream traffic and must achieve a 1:1 ratio.

In this scenario, which two actions would you take to achieve this goal? (Choose two.)

- A. Increase the number of server-facing ports that each leaf node uses to carry traffic.
- B. Reduce the number of server-facing ports that each leaf node uses to carry traffic.
- C. Increase the number of spine nodes in your design.
- D. Reduce the number of leaf nodes in your design.

Correct Answer: BC

[JN0-681 Practice Test](#)

[JN0-681 Study Guide](#)

[JN0-681 Brainsdumps](#)