



# JN0-660<sup>Q&As</sup>

Service Provider Routing and Switching, Professional

## Pass Juniper JN0-660 Exam with 100% Guarantee

Free Download Real Questions & Answers **PDF** and **VCE** file from:

<https://www.pass4itsure.com/jn0-660.html>

100% Passing Guarantee  
100% Money Back Assurance

Following Questions and Answers are all new published by Juniper  
Official Exam Center

-  **Instant Download** After Purchase
-  **100% Money Back** Guarantee
-  **365 Days** Free Update
-  **800,000+** Satisfied Customers



**QUESTION 1**

Click the Exhibit button.

```
user@router# show
traffic-control-profiles {
  L3-unit-profile {
    scheduler-map "sched-map-example;";
    shaping-rate 30m;
    guaranteed-rate 20m;
  }
}
interfaces {
  ge-0/1/1 {
    output-traffic-control-profile "l1-port-profile;";
    unit 100 {
      output-traffic-control-profile L3-unit-profile;
    }
  }
}
```

What would happen if the guaranteed-rate command is removed from the configuration shown in the exhibit?

- A. The logical interface gets a minimal bandwidth reservation.
- B. The minimum-rate command should be configured instead.
- C. The logical interface receives no bandwidth constraints.
- D. The transmit-rate command should be configured instead.

Correct Answer: A

---

**QUESTION 2**

Click the Exhibit button.



```
[edit]
user@host# show class-of-service
schedulers {
  voice {
    transmit-rate percent 40;
    priority strict-high;
  }
  critical {
    transmit-rate percent 25;
    priority high;
  }
  less-critical {
    transmit-rate percent 15;
    priority medium-high;
  }
  data {
    transmit-rate percent 10;
    priority medium-low;
  }
  left-over {
    transmit-rate percent 5;
    priority low;
  }
}
```

On your MX Series router, traffic using the voice scheduler has exceeded its transmit rate. All other data is currently in profile. Referring to the exhibit, which statement is correct?

- A. The voice queue is serviced later than the less-critical queue.
- B. The voice queue is serviced later than the left-over queue.
- C. The voice queue is serviced before the critical queue.
- D. The voice queue is serviced after data queue.

Correct Answer: C

### QUESTION 3

Given the following regular expression:

```
* 14203+(21870110458)
```

Which two AS paths match? (Choose two.)

- A. 27522 2187010458
- B. 27522 14203 14203 14203 21870
- C. 14203 21780 10458

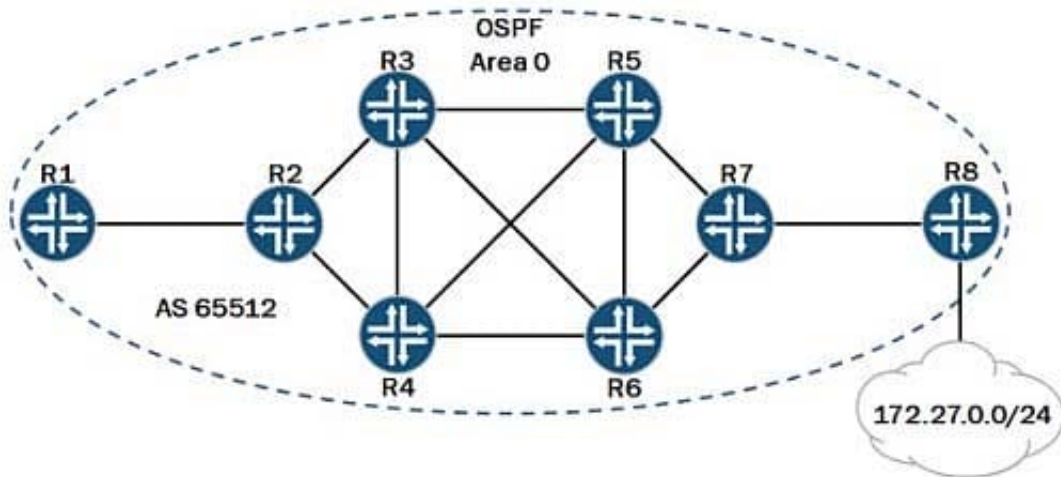


D. 14203 21780 27522

Correct Answer: BC

#### QUESTION 4

-- Exhibit



-- Exhibit -

Click the Exhibit button.

Referring to the exhibit, your network contains eight devices participating in OSPF Area 0, and they are all in a full IBGP mesh. R7 is learning the 172.27.0.0/24 network and is injecting this route into OSPF and BGP. You must ensure that on R2, all traffic destined to the 172.27.0.0/24 network from R1 uses the R2to-R7 RSVP LSP through your core network.

How should you accomplish this behavior?

- A. Use the install active feature on R2.
- B. Use the install feature on R2.
- C. Use OSPF and BGP import policies on R2.
- D. Use OSPF and BGP export policies on R2.

Correct Answer: A

#### QUESTION 5

A network uses IPv4 and IPv6 addressing. You must use only OSPFv3 as your IGP. Which configuration will advertise both IPv4 and IPv6 addresses to the network?



```
A. [edit]
user@router# show protocols
ospf {
  area 0.0.0.0 {
    interface all;
  }
}
ospf3 {
  area 0.0.0.0 {
    interface all;
  }
}
```

```
B. [edit]
user@router# show protocols
ospf3 {
  area 0.0.0.0 {
    family inet {
      interface all;
    }
    family inet6 {
      interface all;
    }
  }
}
```

```
C. [edit]
user@router# show protocols
ospf2 {
  export ipv4-routes;
  area 0.0.0.0 {
    interface all;
  }
}

[edit]
user@router# show policy options
policy-statement ipv4-routes {
  term get-ipv4 {
    from {
      family inet;
      protocol ospf;
    }
    then accept;
  }
}
```

```
D. [edit]
user@router# show protocols
ospf3 {
  realm ipv4-unicast {
    area 0.0.0.0 {
      interface all;
    }
  }
  area 1.0.0.0 {
    interface all;
  }
}
```



A. Option A

B. Option B

C. Option C

D. Option D

Correct Answer: D

[JN0-660 Practice Test](#)

[JN0-660 Study Guide](#)

[JN0-660 Braindumps](#)