



JN0-647^{Q&As}

Enterprise Routing and Switching Exam

Pass Juniper JN0-647 Exam with 100% Guarantee

Free Download Real Questions & Answers **PDF** and **VCE** file from:

<https://www.pass4itsure.com/jn0-647.html>

100% Passing Guarantee
100% Money Back Assurance

Following Questions and Answers are all new published by Juniper
Official Exam Center

-  **Instant Download** After Purchase
-  **100% Money Back** Guarantee
-  **365 Days** Free Update
-  **800,000+** Satisfied Customers





QUESTION 1

You want to implement an RP in your PIM sparse mode environment, you are considering the advantages and disadvantages of the various RP election methods.

In this scenario, which three implementation guidelines are correct? (Choose three.)

- A. The auto-RP method requires using two PIM dense mode groups from the 232/8 range.
- B. The auto-RP method includes the ability to maintain a backup RP.
- C. With the bootstrap method, the primary criterion for electing a BSR is priority value.
- D. When multiple election methods are implemented on a device, the static method is preferred.
- E. The static method requires configuration on all devices in the PIM domain.

Correct Answer: BCE

QUESTION 2

Click the Exhibit button.



```
user@ switch> show configuration
interfaces {
  ge-0/0/1 {
    unit 0 {
      description "interface 1";
      family ethernet-switching {
        vlan {
          members v10;
        }
      }
    }
  }
  ge-0/0/2
    unit 0 {
      description "interface 2";
      family ethernet-switching {
        interface-mode access;
        vlan {
          members v20;
        }
      }
    }
  }
  ge-0/0/3 {
    native-vlan- id 1;
    unit 0 {
      description "interface 3":
      family Ethernet-switching {
        interface-mode trunk;
        vlan {
          members [1 v10 v20];
        }
      }
    }
  }
}
vlans {
```



```
v10 {  
  description "VLAN 10";  
  vlan-id 10;  
}  
v20 {  
  description "VLAN 20";  
  vlan-id 20;  
}  
}
```

Referring to the exhibit which two statements are true? (Choose two.)

- A. Untagged control packets entering interface ge-0/0/1 are not recognized.
- B. Untagged data packets entering interface ge-0/0/2 will be tagged with VLAN ID 20.
- C. Untagged control packets entering interface ge-0/0/3 are passed without a VLAN tag.
- D. Untagged data packets entering interface ge-0/0/3 will be tagged with VLAN ID 1.

Correct Answer: BD

QUESTION 3

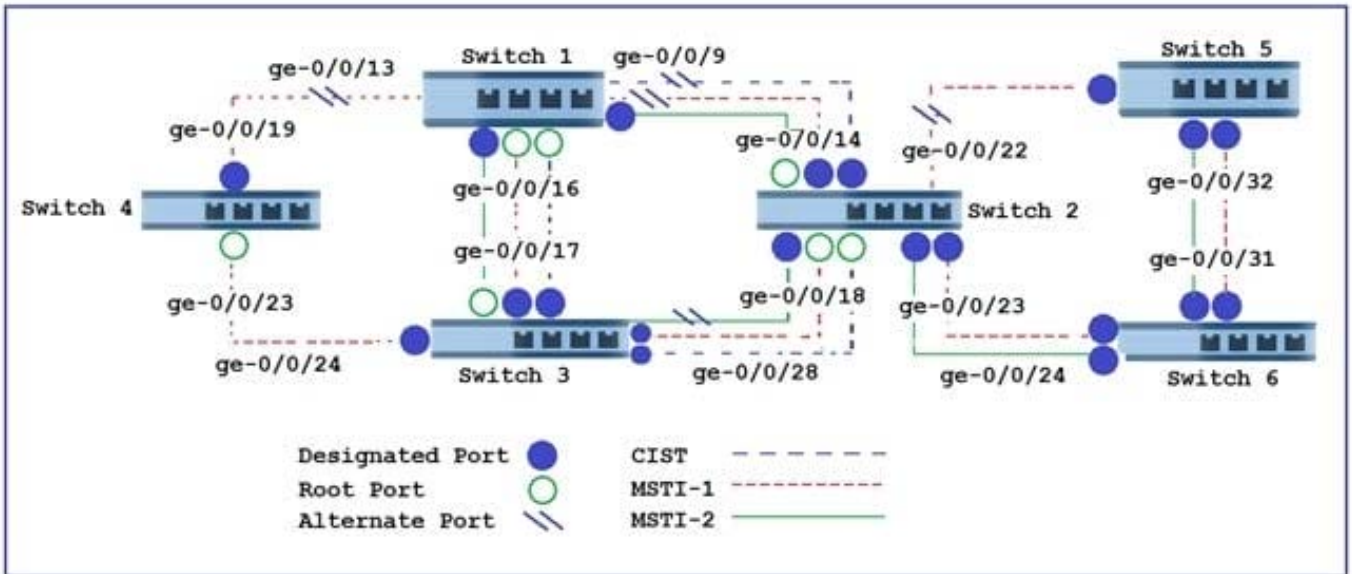
What are two OSPF LSA types? (Choose two.)

- A. Stub
- B. Router
- C. Transit
- D. Network

Correct Answer: BD

QUESTION 4

Click the Exhibit button.



Switch 4 is rebooted as shown in the exhibit.

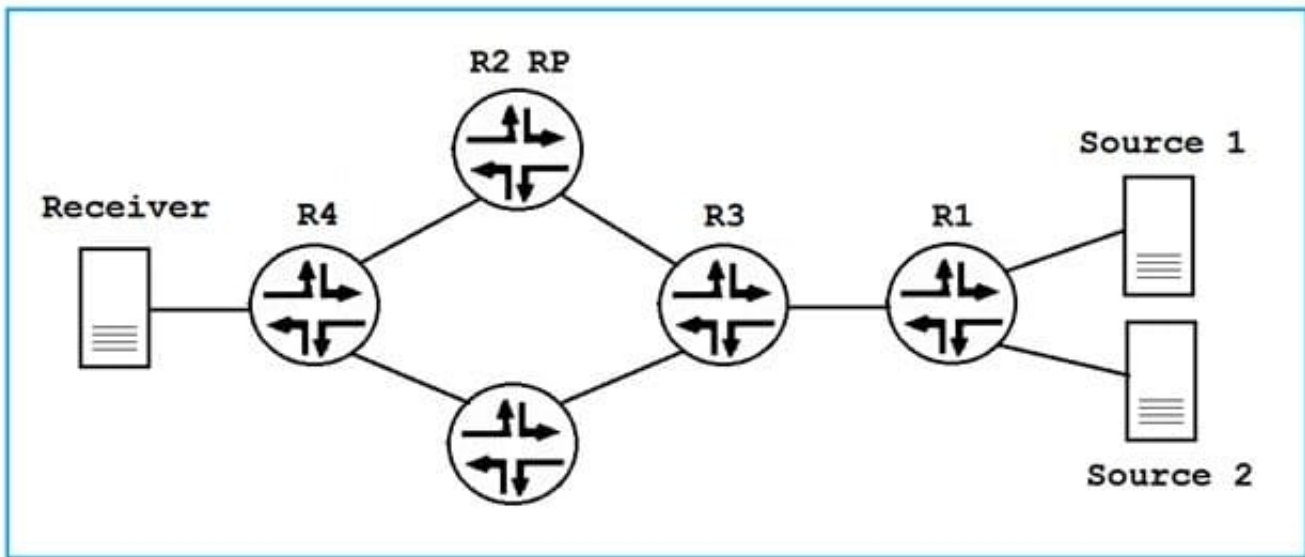
Which statement is correct in this scenario?

- A. CIST is reconverged.
- B. MSTI-1 is reconverged.
- C. CIST generates notification events.
- D. MSTI-2 is reconverged.

Correct Answer: B

QUESTION 5

Click the Exhibit button.



The Receiver is attempting to join two different groups, one from each source. You want to ensure that load balancing is taking place.

Referring to the exhibit, which statement is true?

- A. R4 must have join-load-balance configured under protocol PIM.
- B. R2 must have join-load-balance configured under protocol PIM.
- C. R1 must have join-load-balance configured under protocol PIM.
- D. R3 must have join-load-balance configured under protocol PIM.

Correct Answer: A

[Latest JN0-647 Dumps](#)

[JN0-647 VCE Dumps](#)

[JN0-647 Practice Test](#)