



# JN0-635<sup>Q&As</sup>

Security, Professional

## Pass Juniper JN0-635 Exam with 100% Guarantee

Free Download Real Questions & Answers **PDF** and **VCE** file from:

<https://www.pass4itsure.com/jn0-635.html>

100% Passing Guarantee  
100% Money Back Assurance

Following Questions and Answers are all new published by Juniper  
Official Exam Center

-  **Instant Download** After Purchase
-  **100% Money Back** Guarantee
-  **365 Days** Free Update
-  **800,000+** Satisfied Customers



**QUESTION 1**

In a Juniper ATP Appliance, what would be a reason for the mitigation rule to be in the failed-remove state?

- A. The Juniper ATP Appliance received a commit error message from the SRX Series device
- B. The Juniper ATP Appliance received an unknown error message from the SRX Series device
- C. The Juniper ATP Appliance was not able to communicate with the SRX Series device
- D. The Juniper ATP Appliance was not able to obtain the config lock

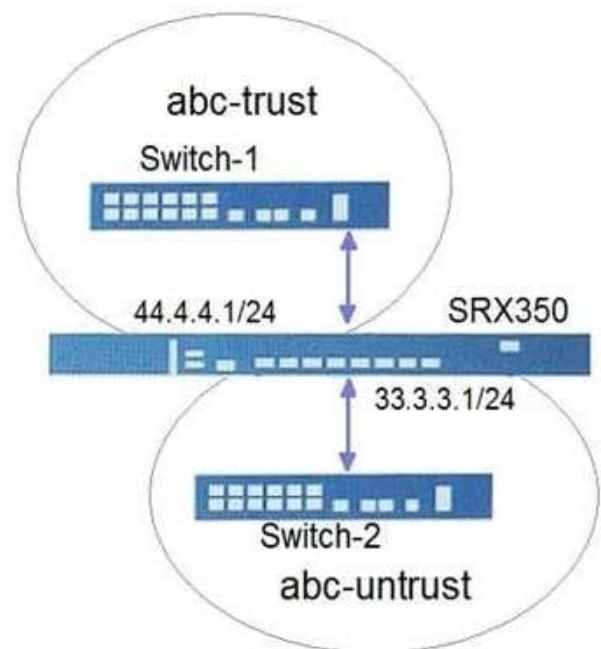
Correct Answer: D

Reference: [https://www.juniper.net/documentation/en\\_US/release-independent/jatp/topics/topic-map/jatpmitigation-and-reporting.html](https://www.juniper.net/documentation/en_US/release-independent/jatp/topics/topic-map/jatpmitigation-and-reporting.html)

**QUESTION 2**

Click the Exhibit button.

```
from-zone abc-trust to-zone abc-untrust {
  policy abc {
    match {
      source-address any;
      destination-address any;
      application any;
    }
    then {
      permit {
        application-services {
          idp;
        }
      }
    }
  }
}
from-zone abc-untrust to-zone abc-trust {
  policy abc {
    match {
      source-address any;
      destination-address any;
      application any;
    }
    then {
      permit {
        application-services {
          idp;
        }
      }
    }
  }
}
```



Referring to the exhibit, which three types of traffic would be examined by the IPS policy between Switch-1 and Switch-2? (Choose three.)

- A. TCP
- B. LLDP



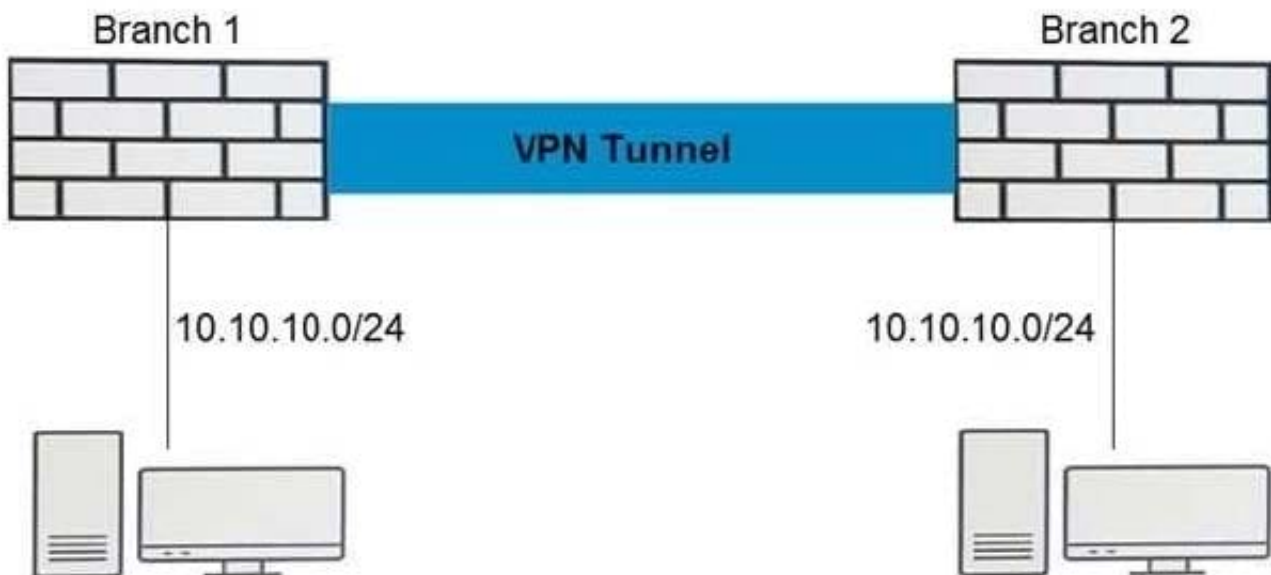
- C. ARP
- D. ICMP
- E. UDP

Correct Answer: ADE

Reference: [https://www.juniper.net/documentation/en\\_US/junos/topics/topic-map/security-idp-policy-rulesand-rulebases.html](https://www.juniper.net/documentation/en_US/junos/topics/topic-map/security-idp-policy-rulesand-rulebases.html)

### QUESTION 3

Click the Exhibit button.



Branch 1 and Branch 2 have an active VPN tunnel configured, but internal hosts cannot communicate with each other.

Referring to the exhibit, which type of configuration should be applied to solve the problem?

- A. Configure destination NAT on both Branch 1 and Branch 2
- B. Configure source NAT on Branch 1
- C. Configure destination NAT on Branch 2 only
- D. Configure static NAT on both Branch 1 and Branch 2

Correct Answer: D

### QUESTION 4

You are trying to get a SSH honeypot set up on a Juniper ATP Appliance collector. The collector is running on hardware



with two physical interfaces and two physical CPU cores. The honeypot feature is not working.

Which statement is true in this scenario?

- A. The collector must have at least three physical interfaces
- B. The collector must have at least four physical cores
- C. The collector must have at least four physical interfaces
- D. The collector must have at least six physical cores

Correct Answer: A

---

#### QUESTION 5

Click the Exhibit button.



```
user@host# show security idp-policy my-policy rulebase-ips
rule 1 {
    match {
        attacks {
            custom-attacks my-signature;
        }
    }
    then {
        action {
            no-action;
        }
    }
}
rule 2 {
    match {
        attacks {
            custom-attacks my-signature;
        }
    }
    then {
        action {
            ignore-connection;
        }
    }
}
rule 3 {
    match {
        attacks {
            custom-attacks my-signature;
        }
    }
    then {
        action {
            drop-packet;
        }
    }
}
rule 4 {
    match {
        attacks {
            custom-attacks my-signature;
        }
    }
    then {
        action {
            close-client-and-server;
        }
    }
}
```



You have recently committed the IPS policy shown in the exhibit. When evaluating the expected behavior, you notice that you have a session that matches all the rules in your IPS policy.

In this scenario, which action would be taken?

- A. drop packet
- B. no-action
- C. close-client-and-server
- D. ignore-connection

Correct Answer: B

Reference: [https://www.juniper.net/documentation/en\\_US/junos/topics/topic-map/security-idp-policy-rulesand-rulebases.html](https://www.juniper.net/documentation/en_US/junos/topics/topic-map/security-idp-policy-rulesand-rulebases.html)

[JN0-635 VCE Dumps](#)

[JN0-635 Practice Test](#)

[JN0-635 Exam Questions](#)