



JN0-343^{Q&As}

Juniper Networks Certified Internet Specialist (JNCIS-ENT)

Pass Juniper JN0-343 Exam with 100% Guarantee

Free Download Real Questions & Answers **PDF** and **VCE** file from:

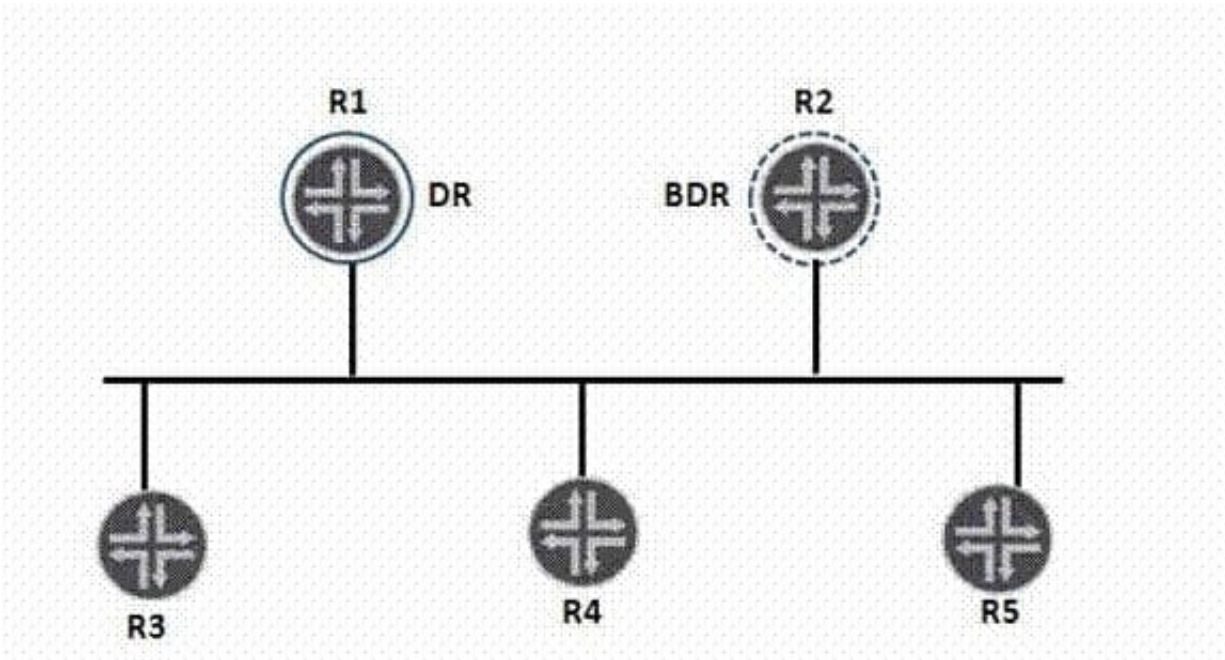
<https://www.pass4itsure.com/jn0-343.html>

100% Passing Guarantee
100% Money Back Assurance

Following Questions and Answers are all new published by Juniper
Official Exam Center

-  **Instant Download** After Purchase
-  **100% Money Back** Guarantee
-  **365 Days** Free Update
-  **800,000+** Satisfied Customers



**QUESTION 1**

In the exhibit, you run the command `show ospf neighbor` on R3 and notice that an adjacency with R5 remains in the 2-Way state. Which statement is true?

- A. A problem exists with the physical link or Data Link Layer connectivity.
- B. The area type does not match on each end of the link.
- C. The IP MTU does not match on each end of the link.
- D. This output is normal in this configuration.

Correct Answer: D

QUESTION 2

Which command shows the state of OSPF adjacencies?

- A. `show protocol ospf`
- B. `show interfaces ospf neighbor`
- C. `show ospf neighbor`
- D. `show port ospf neighbor`

Correct Answer: C



QUESTION 3

Which statement describes an OSPF area for which no-summaries is configured?

- A. The ABR does not generate any Summary (Type 3) LSAs towards the backbone.
- B. The ABR does not generate any Summary (Type 3) LSAs for other OSPF areas.
- C. The area does not summarize external routes generated within its area.
- D. The area does not accept or create summaries of any kind.

Correct Answer: B

QUESTION 4

You have four interconnected switches all using default RSTP parameters. You are asked to ensure that S1 becomes the root bridge. Which configuration will accomplish this task?

- A.

```
{master:0}[edit] user@S1# show protocols rstp { hello-time 2; interface ge-0/0/1.0 { cost 1; }  
interface ge-0/0/2.0 {  
cost 1;  
}  
}
```
- B.

```
{master:0}[edit] user@S1# show protocols rstp { hello-time 2; interface ge-0/0/1.0 { priority 16; } interface ge-0/0/2.0 { priority 16; } }
```
- C.

```
{master:0}[edit] user@S1# show protocols rstp { bridge-priority 16k; hello-time 2; interface ge-0/0/1.0 { cost 100; } interface ge-0/0/2.0 { cost 100; } }
```
- D.

```
{master:0}[edit] user@S1# show protocols rstp { bridge-priority 32k; hello-time 2; interface ge-0/0/1.0 { priority 16; } interface ge-0/0/2.0 { priority 16; } }
```

Correct Answer: C

QUESTION 5

When two OSPF routers on a broadcast network are ready to exchange database descriptor packets, which router is responsible for setting the initial sequence number?

- A. the DR
- B. the BDR
- C. the router with the higher RID



D. the router with the lower RID

Correct Answer: C

[JN0-343 PDF Dumps](#)

[JN0-343 Practice Test](#)

[JN0-343 Braindumps](#)